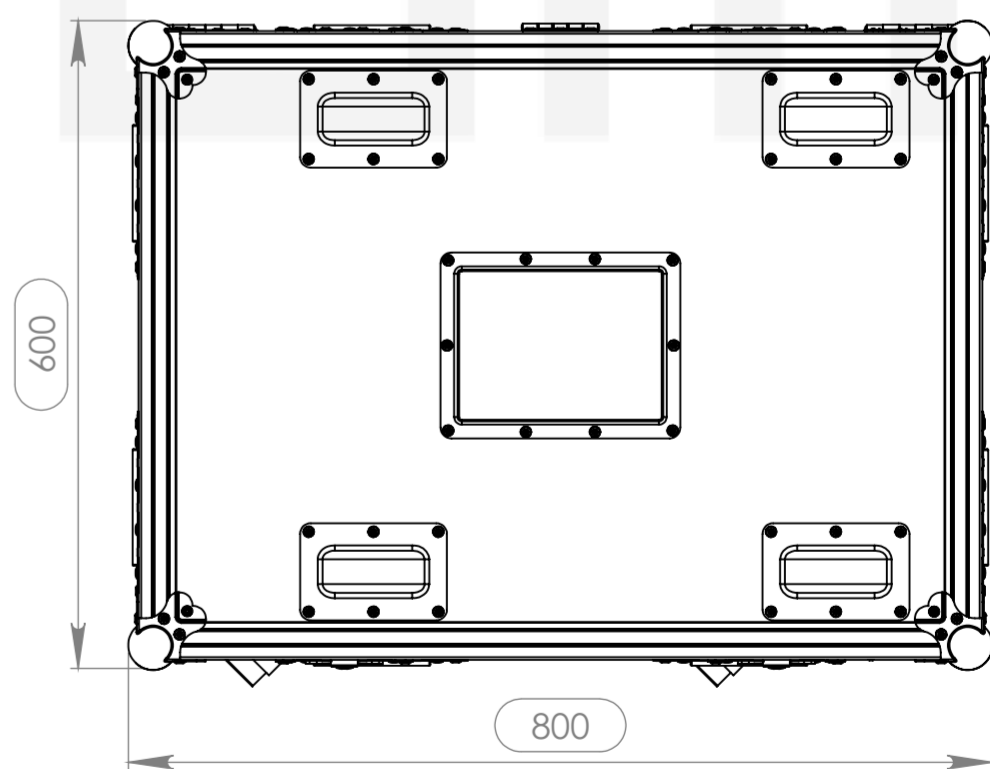
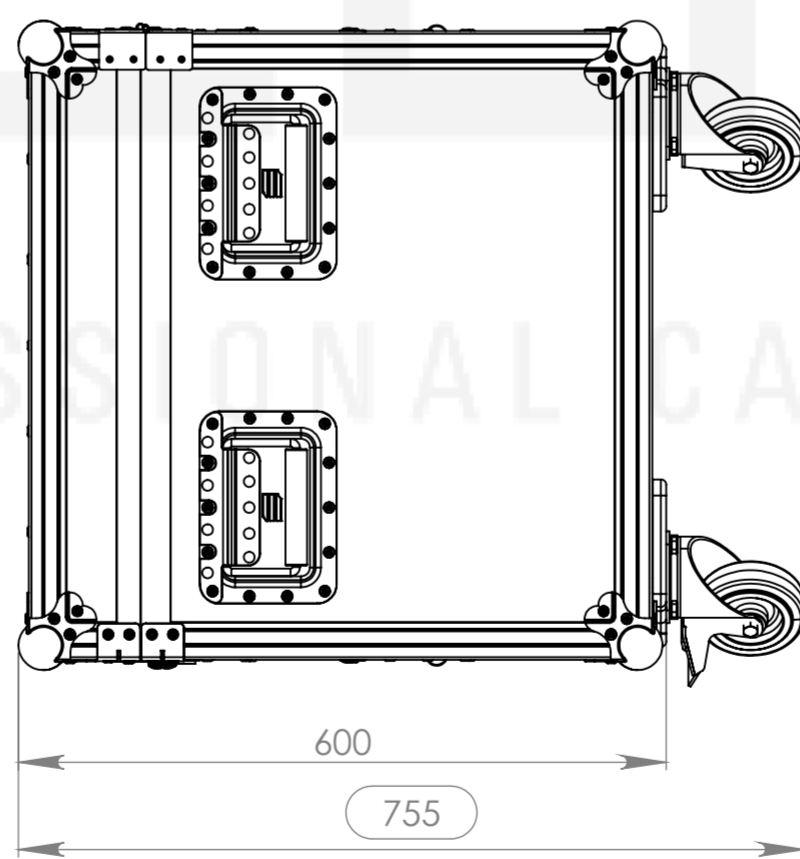
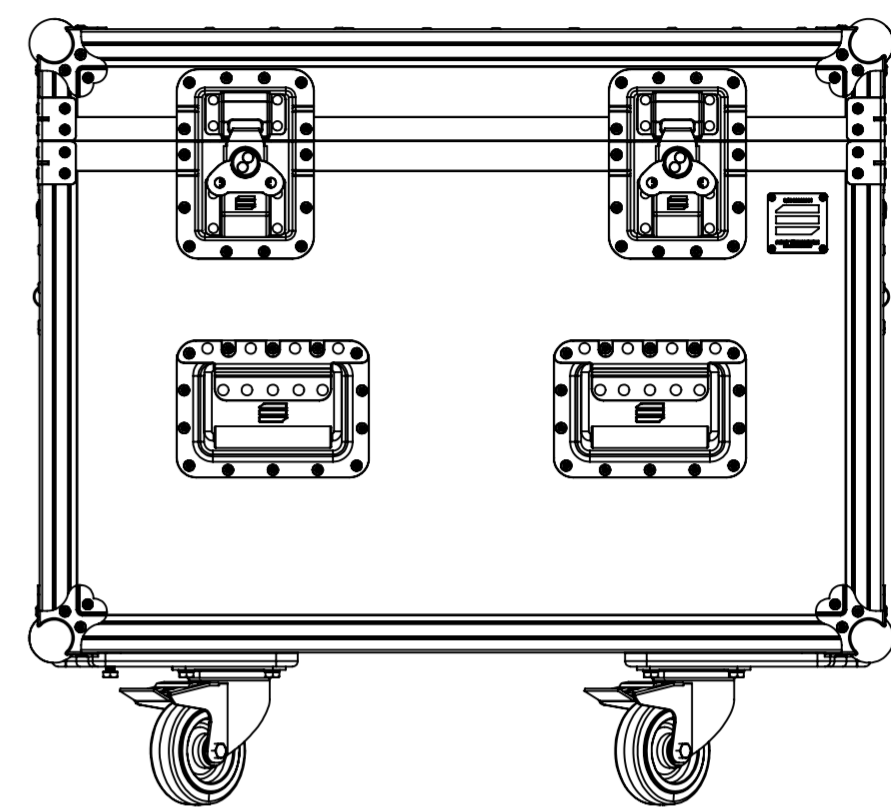
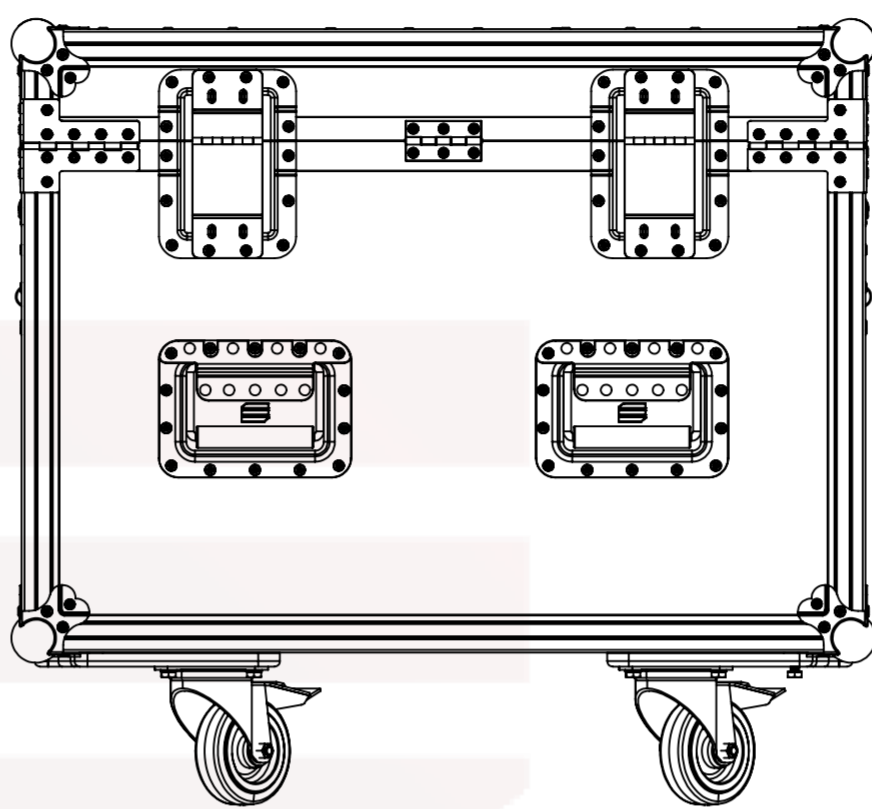
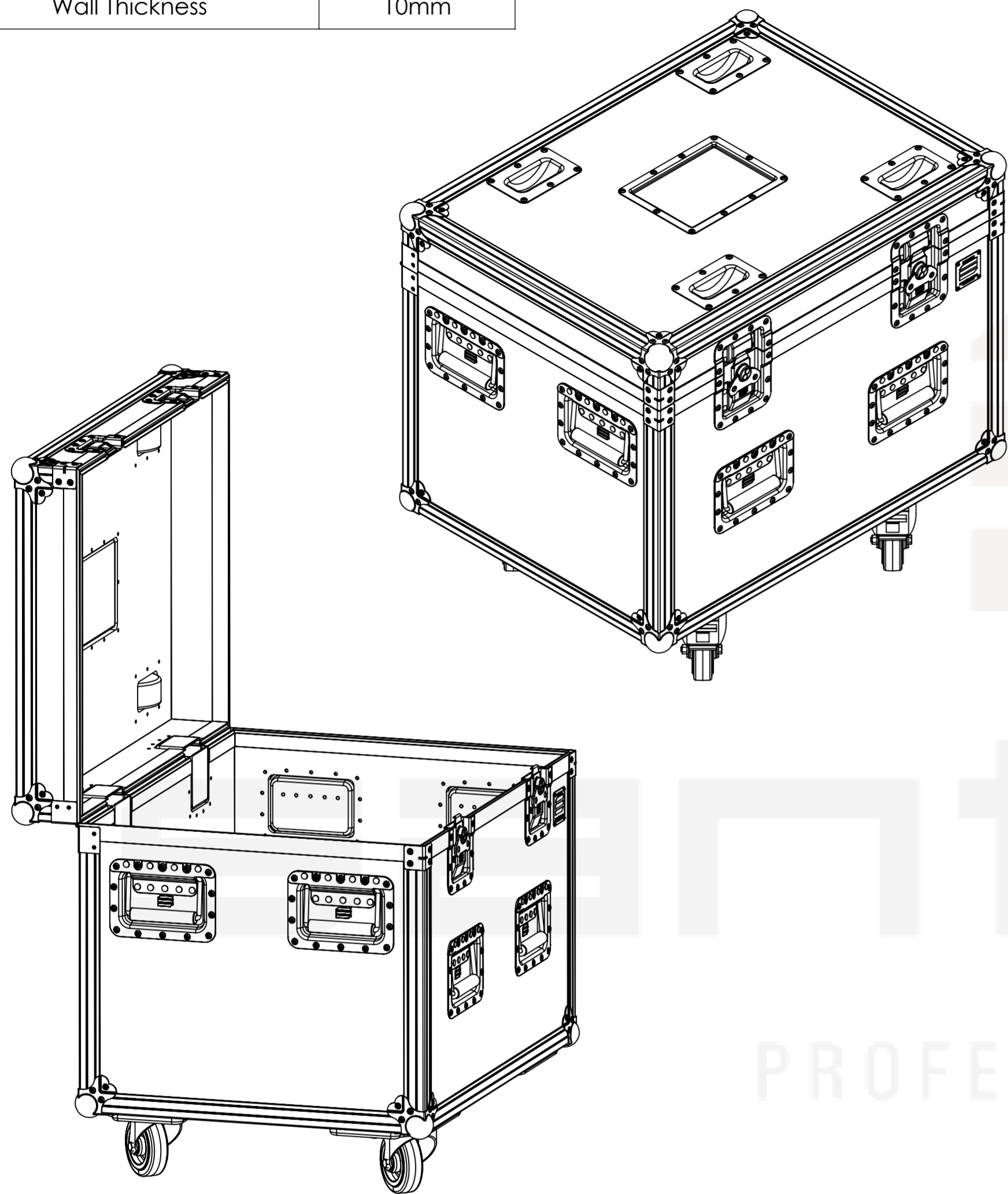


Interior dimensions		
Width	Depth	Height
753	554	553
Weight	Approx. 32 Kg	
Wall Thickness	10mm	



Hardware	
Qty	Description
8	Ball Corner large three-leg cranked 35 mm 9 holes
4	Large corner bracket f. 35mm case angle
8	Large, heavy duty, recessed sprung handle
1	Dish for 88001 Tour Label
2	Large AH butterfly with 'push-back', 14mm dish
2	Large lidstay cranked / hinge
2	Swivel castor Ø100mm with brake
2	Swivel castor Ø100 mm
4	Castor dish deep zinc plated
2	110MM hinge shot
1	Medium duty butt hinge z./p.

Drawn by	Name	Date
joao	joao	19/10/2016
Reference	ML0750	
Scale	1:7	
Units in mm	DO NOT SCALE	general tolerance 0.8mm
1st Angle projection	TRUNK PROTOUR 800	

