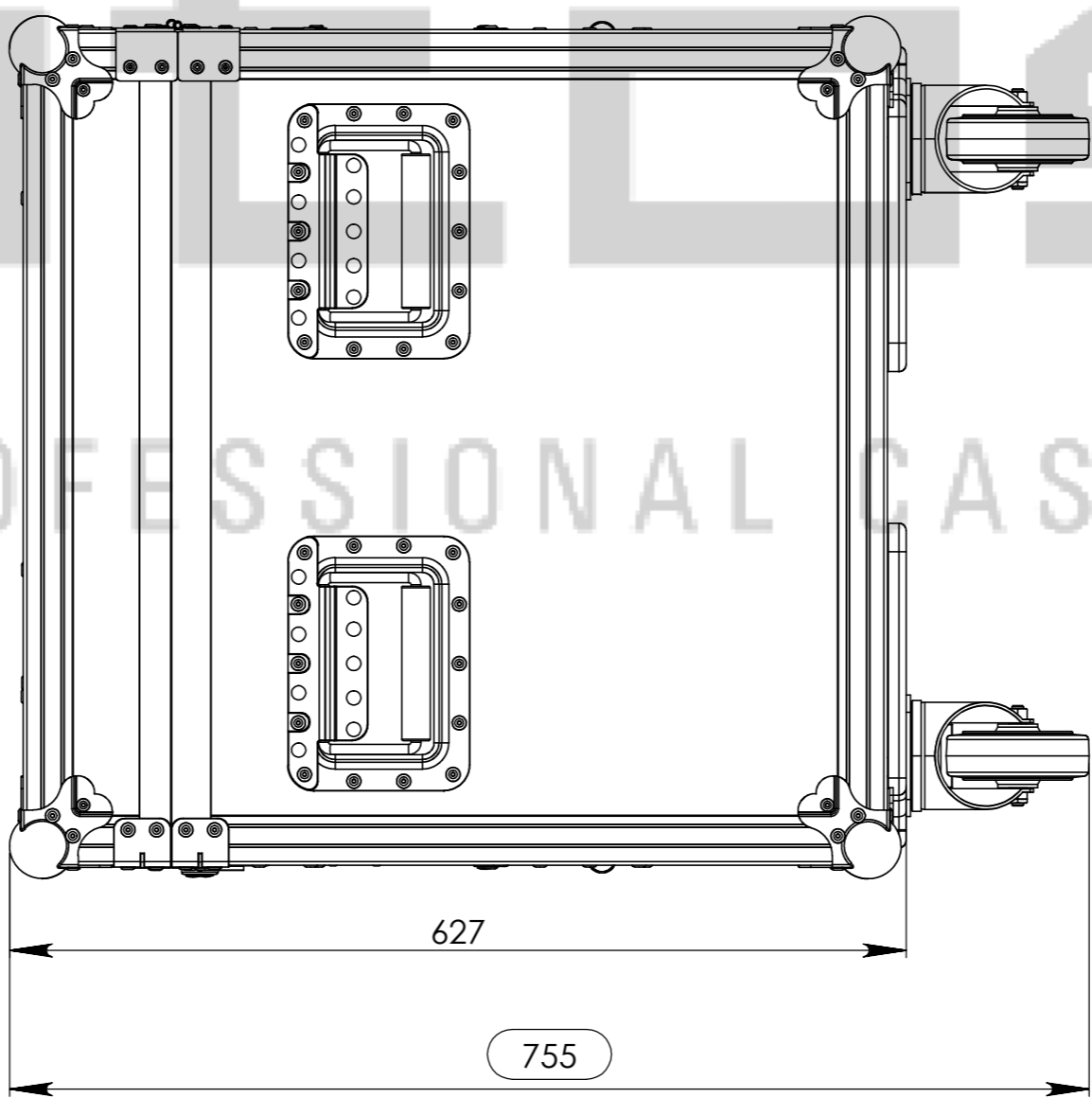
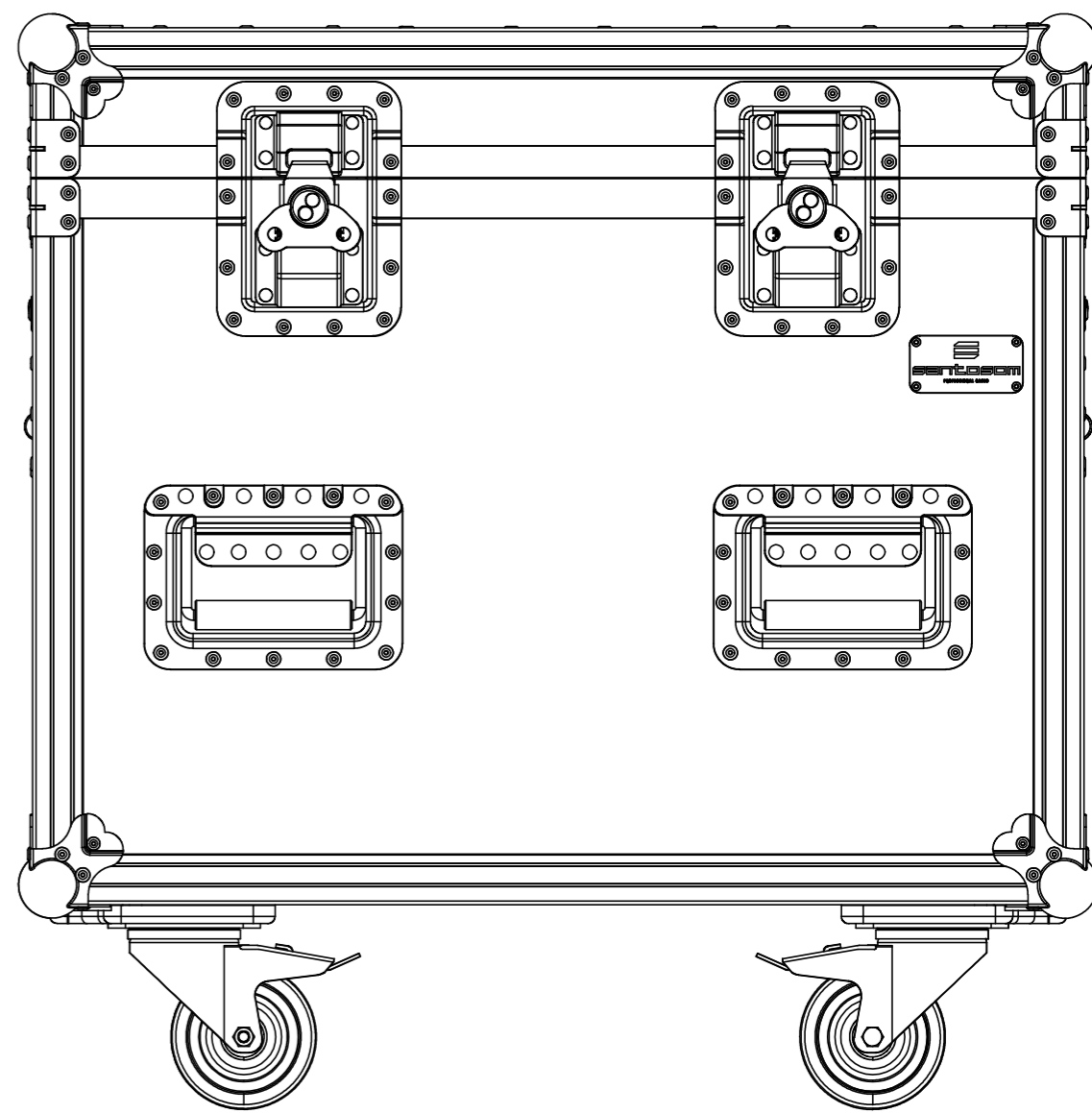
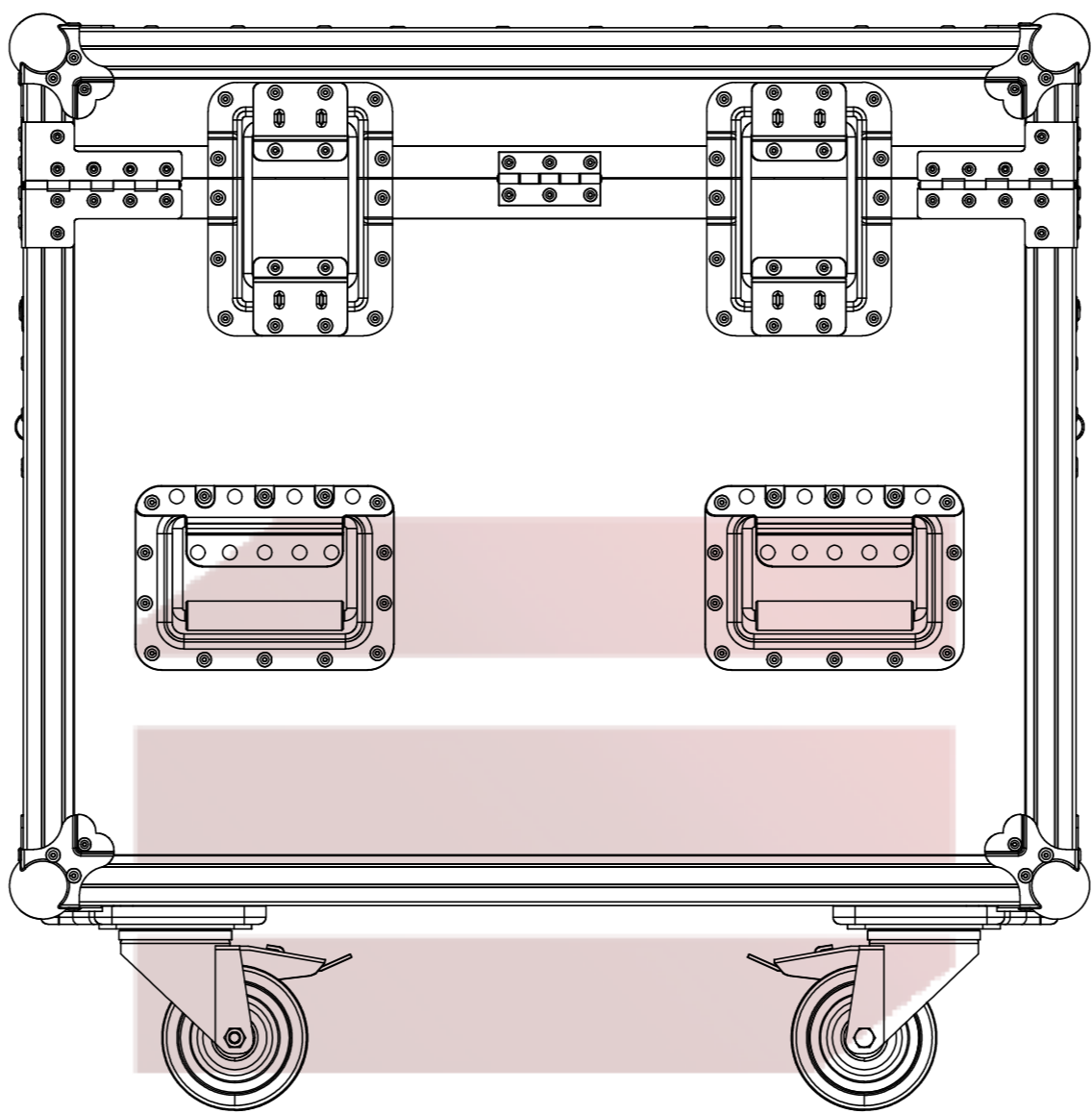
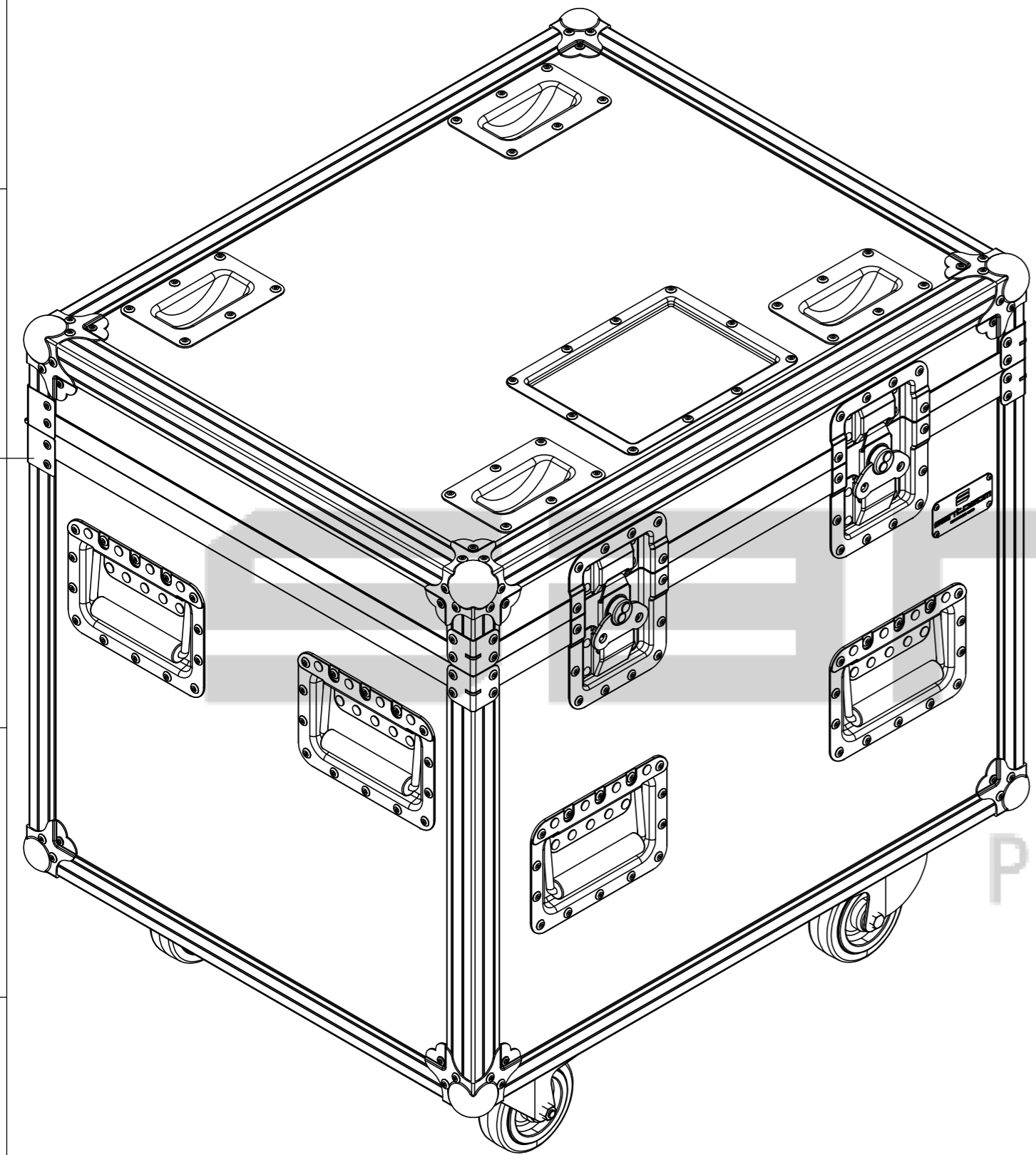


Interior dimensions		
Width	Depth	Height
696	556	580
Weight	Approx. 32 Kg	
Wall Thickness	10mm	



PROFESSIONAL CASES

Drawn by	Name	Date
pedroneves	pedroneves	06-02-2012
Reference	ML0700	
Scale	1:5	general tolerance 0.05mm
1st Angle projection		

This drawing must not be copied or disclosed without consent of the owner

