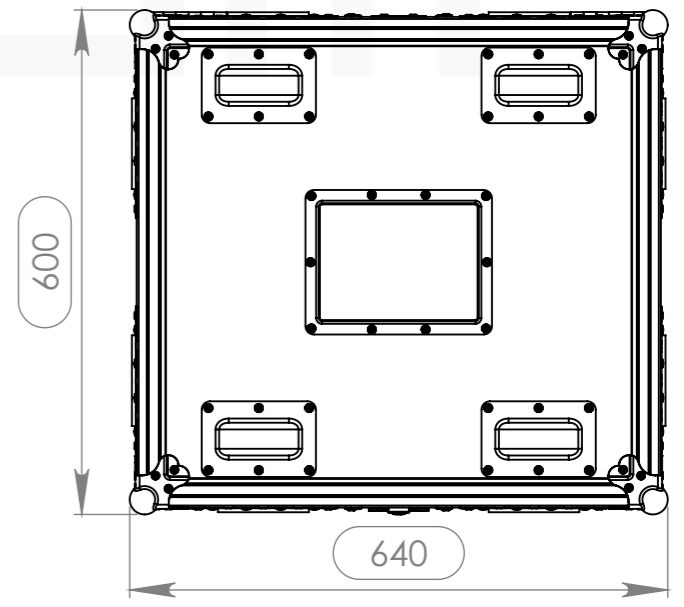
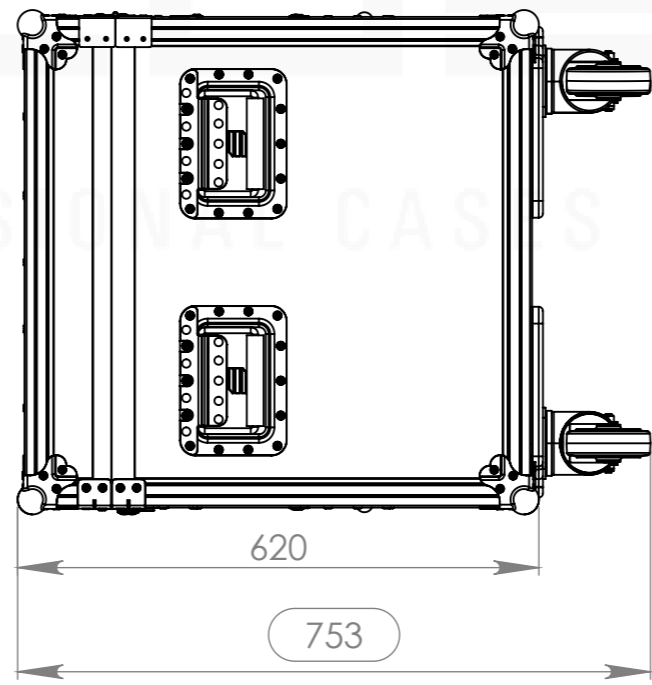
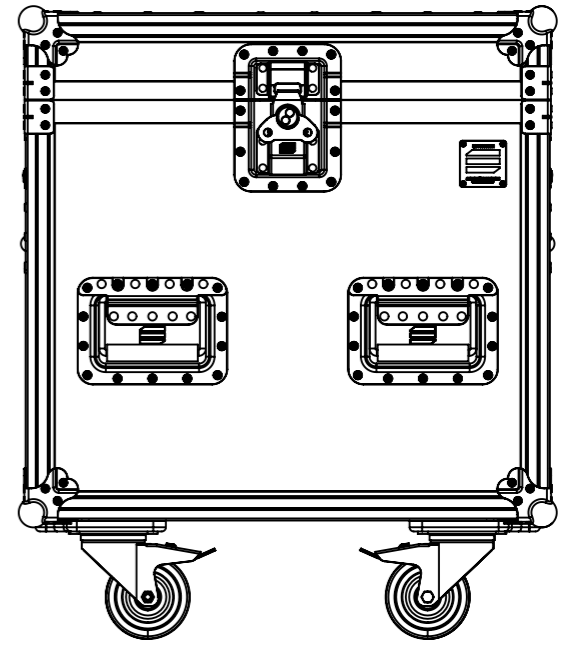
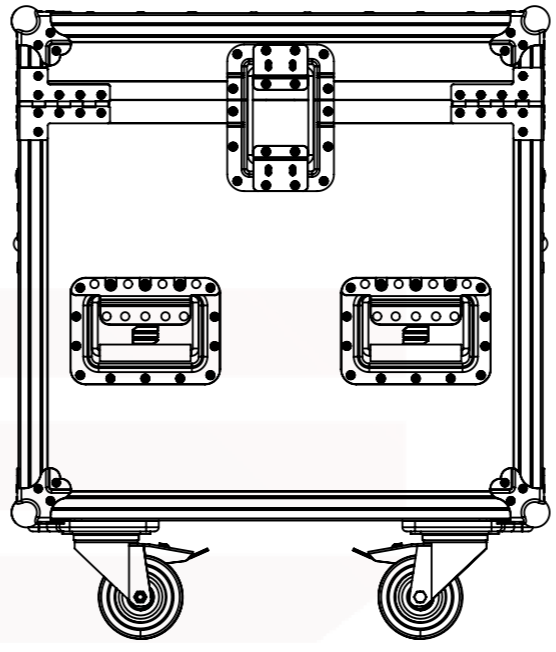
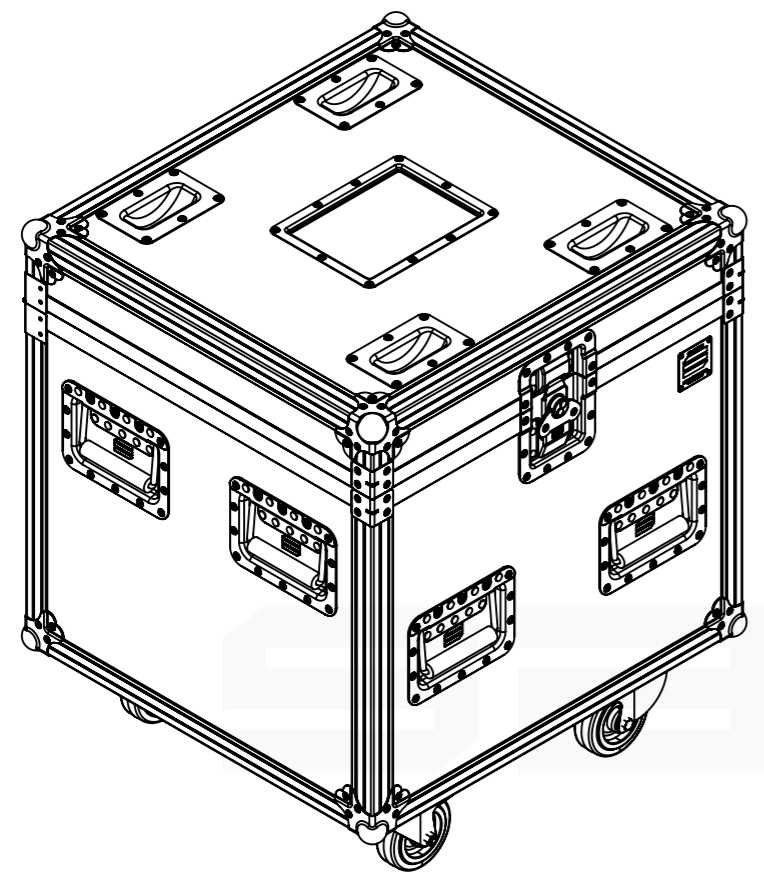


Internal Dimensions		
Width	Depth	Height
596	556	580
Weight	Approx. 30 Kg	
Wall Thickness		10mm



Hardware		
Qty	Ref.	Description
8	34085	Recessed Sprung Handle large in Dish
2	RODA.100	Swivel castor Ø100 mm
2	RODA.100T	Swivel castor Ø100mm with brake
1	CHAPA.1000	Identification Plate
1	270836	Large lidstay cranked / hinge
1	172511COMP	Large AH butterfly with 'push-back', 14mm dish
8	410429	Heavy Duty Ball Corner
4	40403	Large corner bracket f. 35mm case angle
1	88001D	Dish for 88001 Tour Label
2	DCR110	Combination of Hinge and 2 Corner Braces
4	38083	Castor dish deep zinc plated

This drawing must not be copied or disclosed without consent of the owner

Drawn by	Name	Date
CatarinaDuque	CatarinaDuque	12-10-2017
Reference	ML.0600	
Scale	units in mm	general tolerance
1:9	DO NOT SCALE	0.8mm
1st Angle projection	TOURCASE, ML-600 595X555X580	

