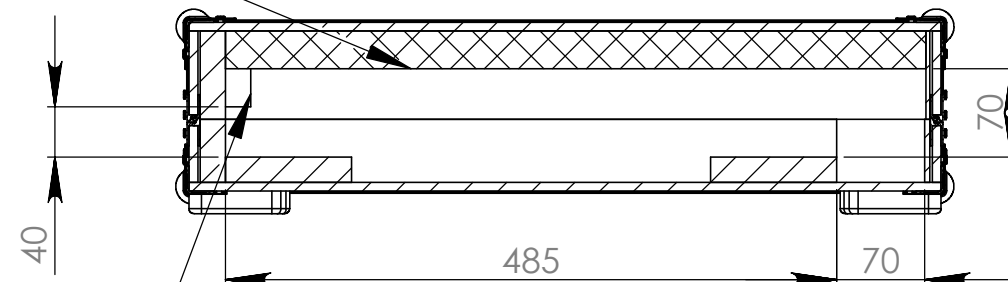


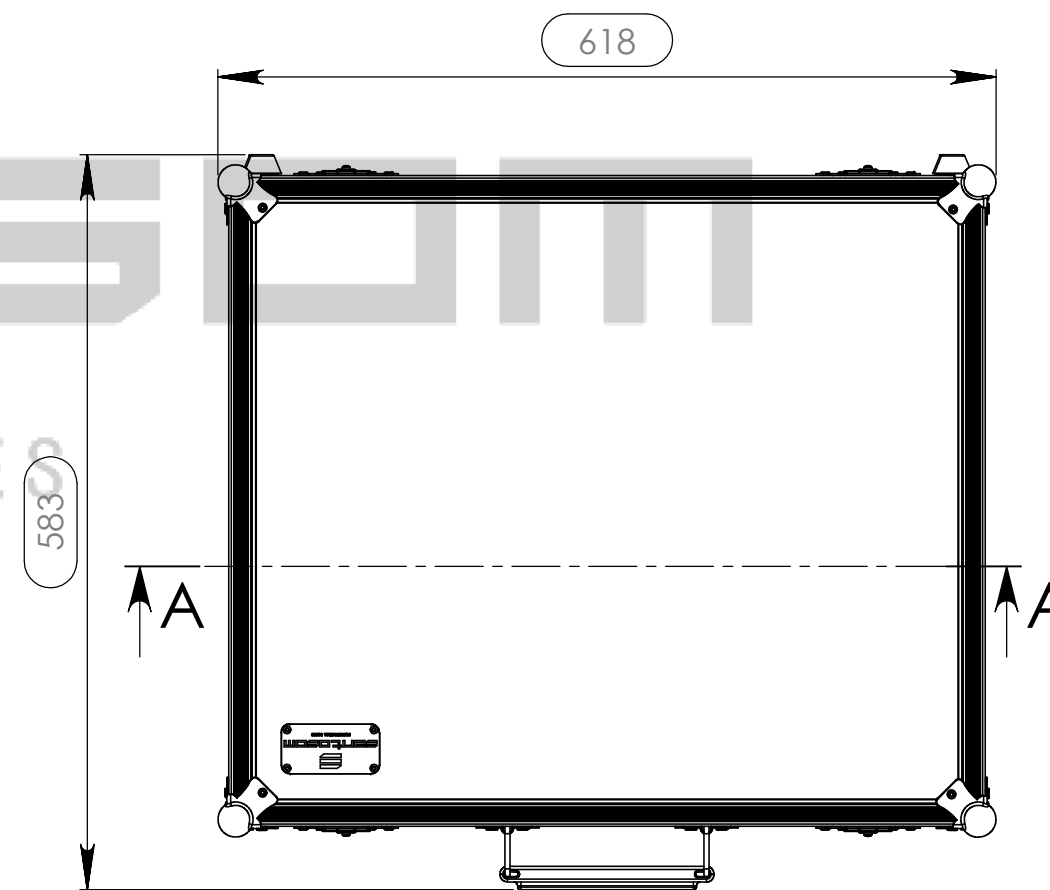
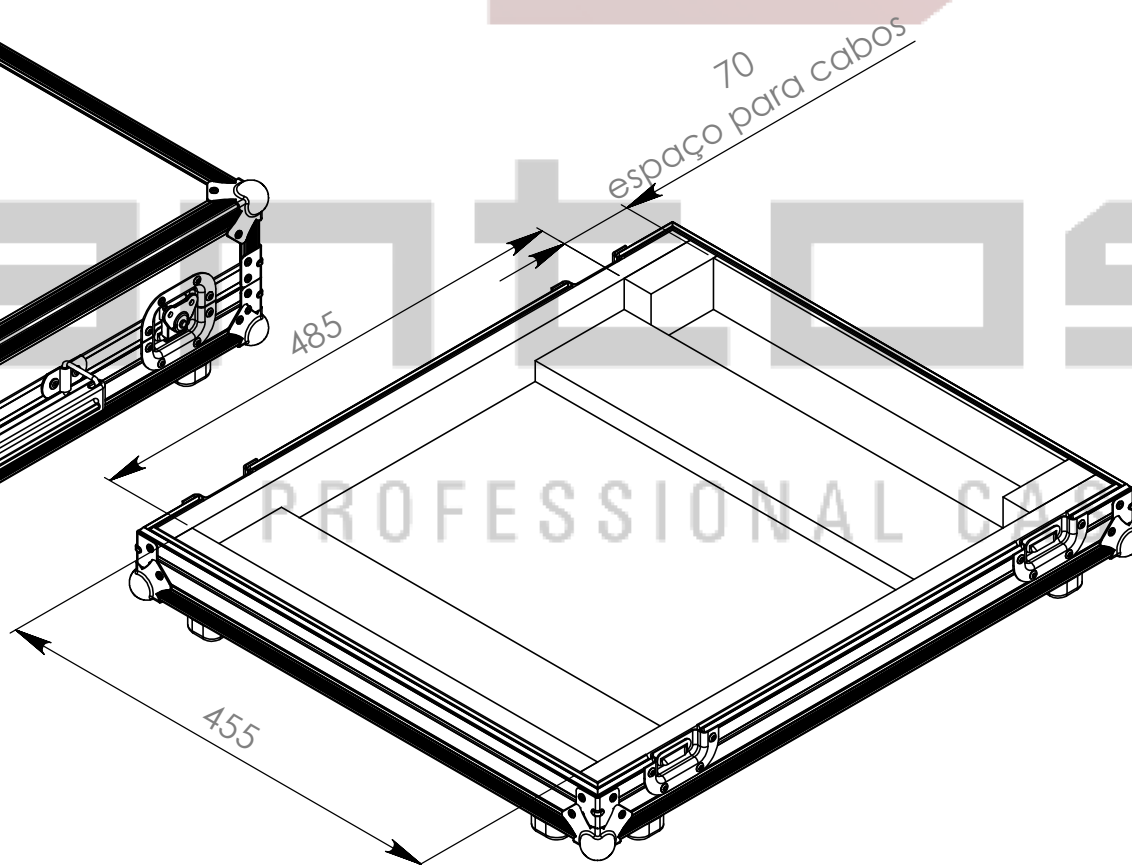
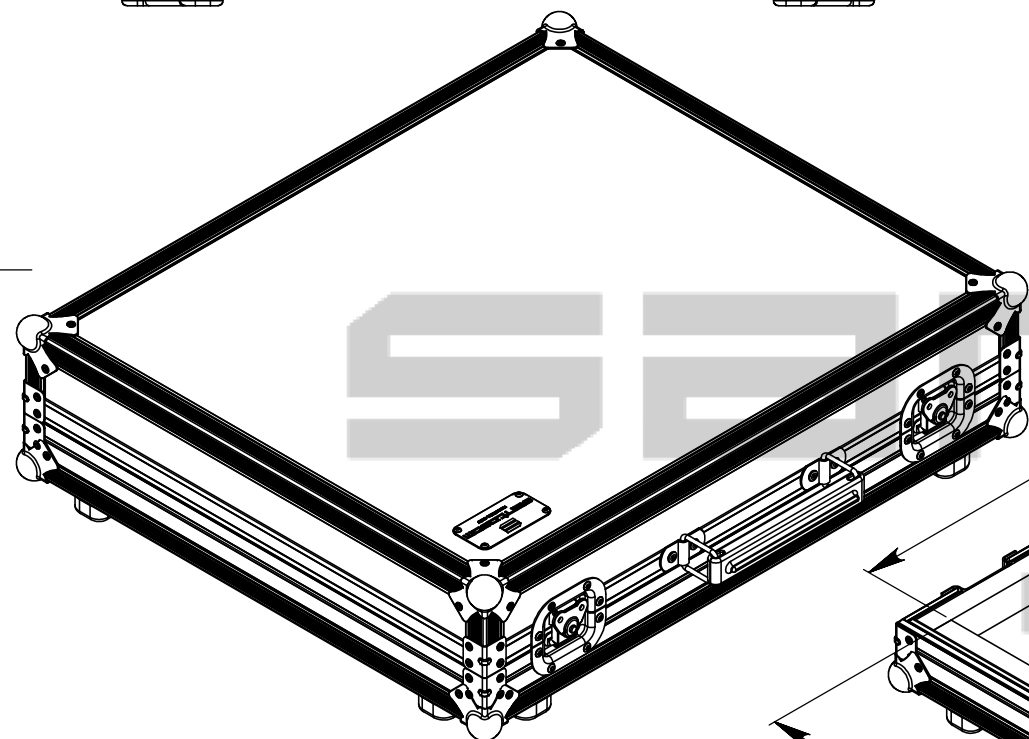
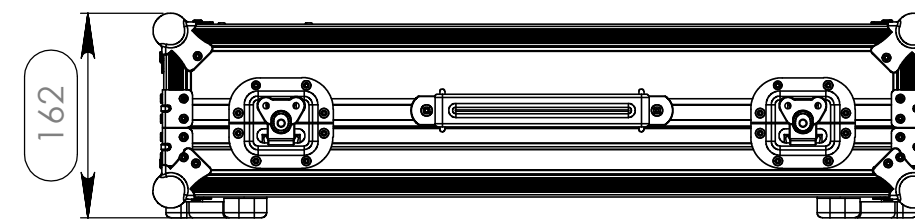
Interior dimensions		
Width	Depth	Height
455	555	70
Weight	Approx. 8 Kg	
Wall Thickness	7mm	

eggbox 30mm



SECTION A-A

calço a colar pelo cliente



Hardware	
Qty	Description
8	Small ball corner - 3 leg - zinc plated
8	Medium corner-brace zinc plated 1,0mm
4	Small butterfly catch assembled into ultra compact dish
1	Leather Case Handle
4	Rubber foot 30 x 15mm, black

This drawing must not be copied or disclosed without consent of the owner



Scale 1:6

units in mm DO NOT SCALE

general tolerance 0.8mm

Drawn by	Name	Date
DanielLopes	DanielLopes	13-12-2012
Reference	MIXER.607	

