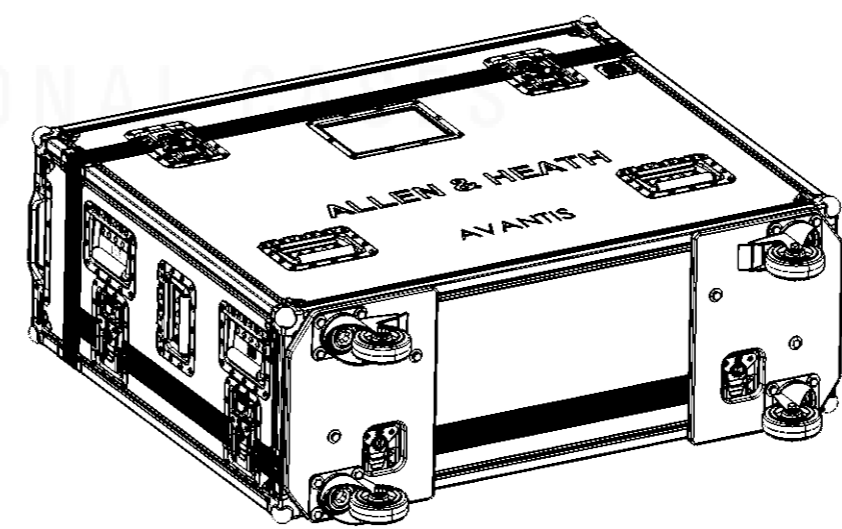
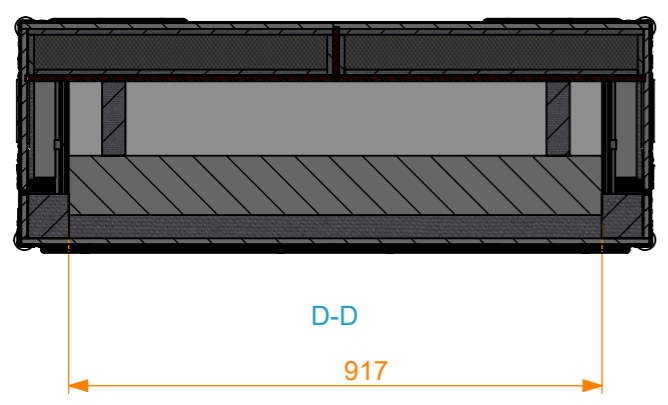
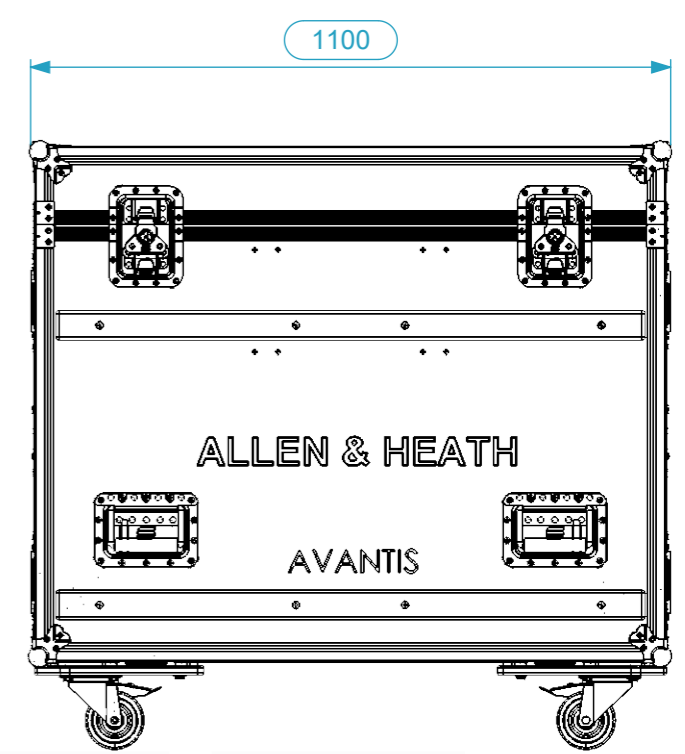
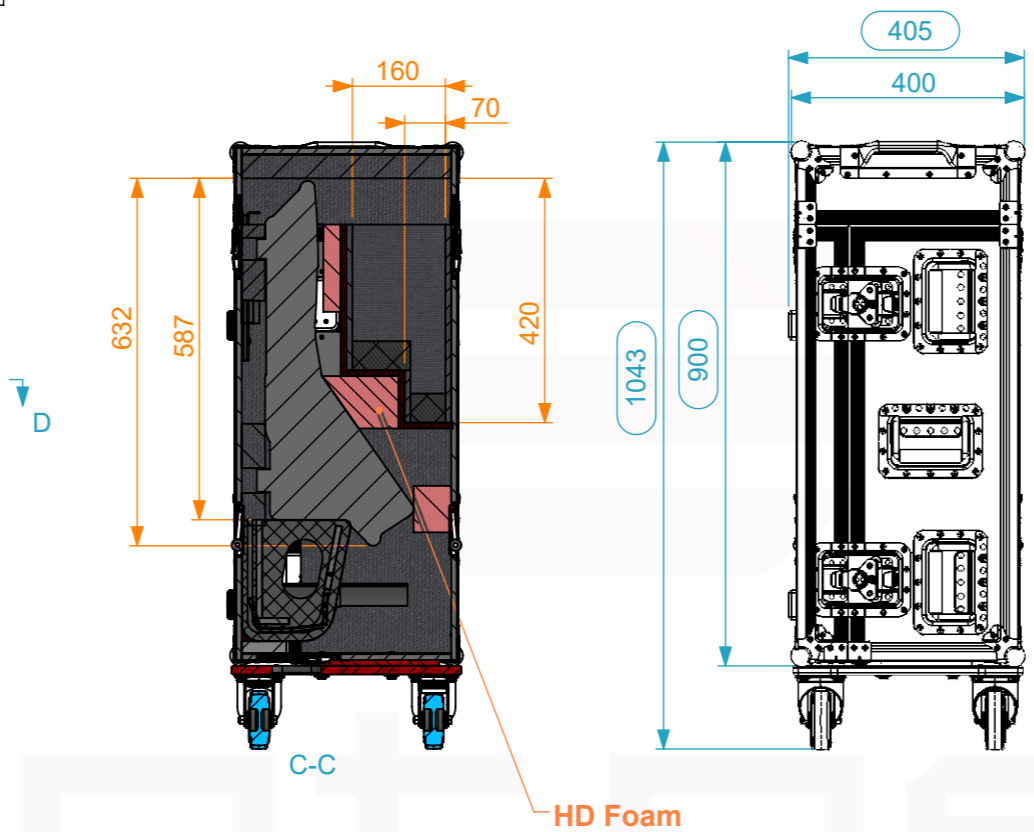
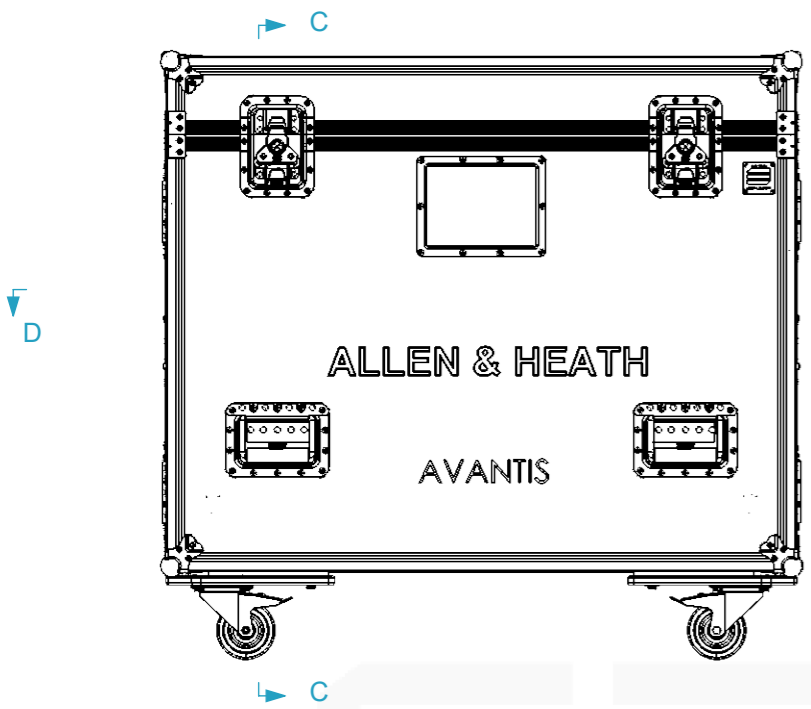


Equipment			Allen & Heath Avantis		
Width	Depth	Height			
917	627	269			
Internal Dimensions					
Width	Depth	Height			
1126	717	400			
Weight	Approx. 59.01 Kg				
Wall Thickness					10mm



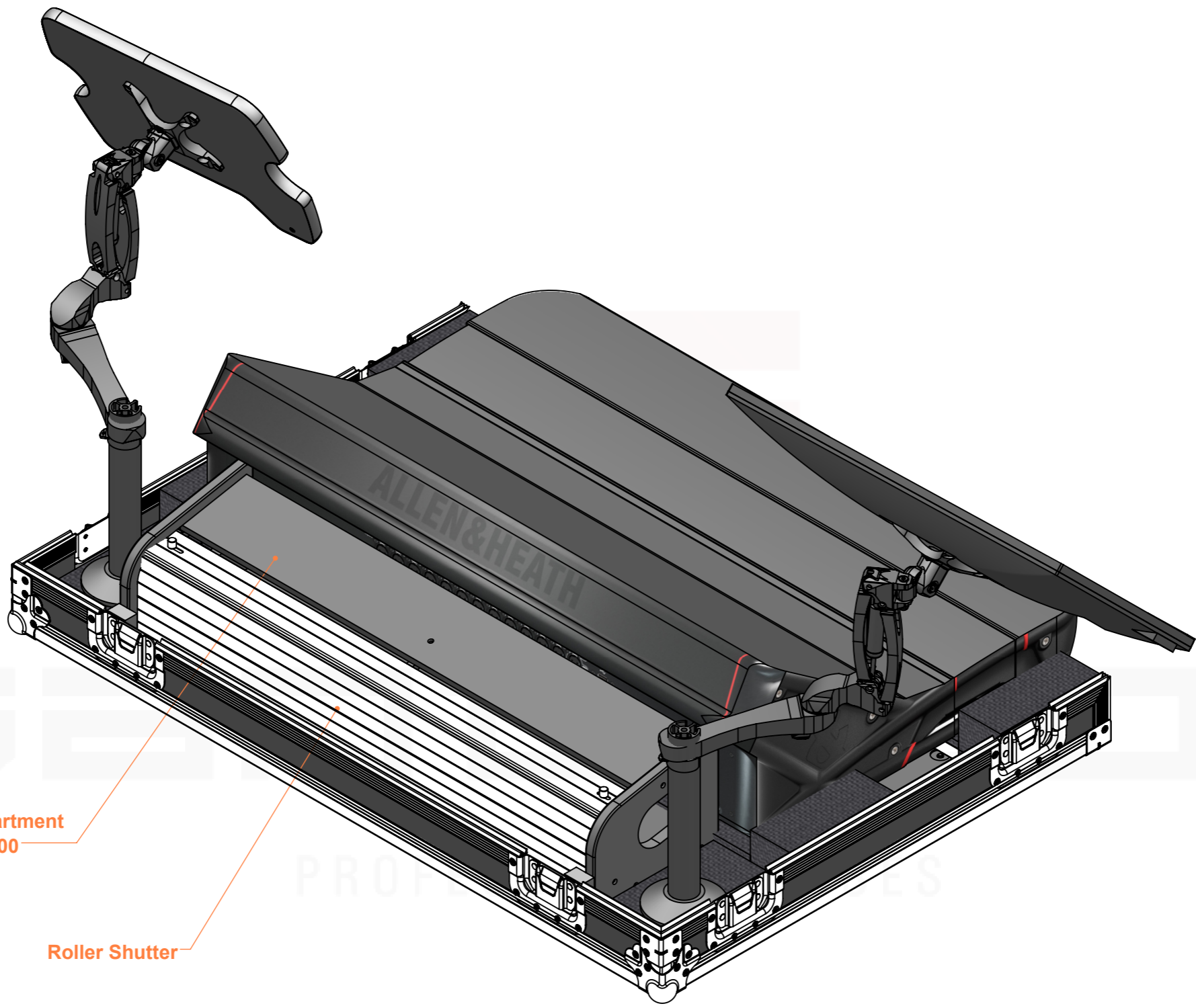
General External Dimensions		Usable Inner Dimensions	
W	Width	Wi	Inside Width
D	Depth	Di	Inside Depth
H	Height	Hi	Inside Height

Name	Date	
Drawn by	carlasilva	22/05/2020
Reference	MIXER.535PRO	
Scale	1:13	units in mm
	DO NOT SCALE	general tolerance 0.8mm
1st Angle projection	Flight case PRO-3, Allen & Heath Avantis	



This drawing must not be copied or disclosed without consent of the owner

A3



Accessory compartment
MIXER.535PRO.A00

Roller Shutter

A3

This drawing must not be copied or disclosed without consent of the owner



Scale 1:6

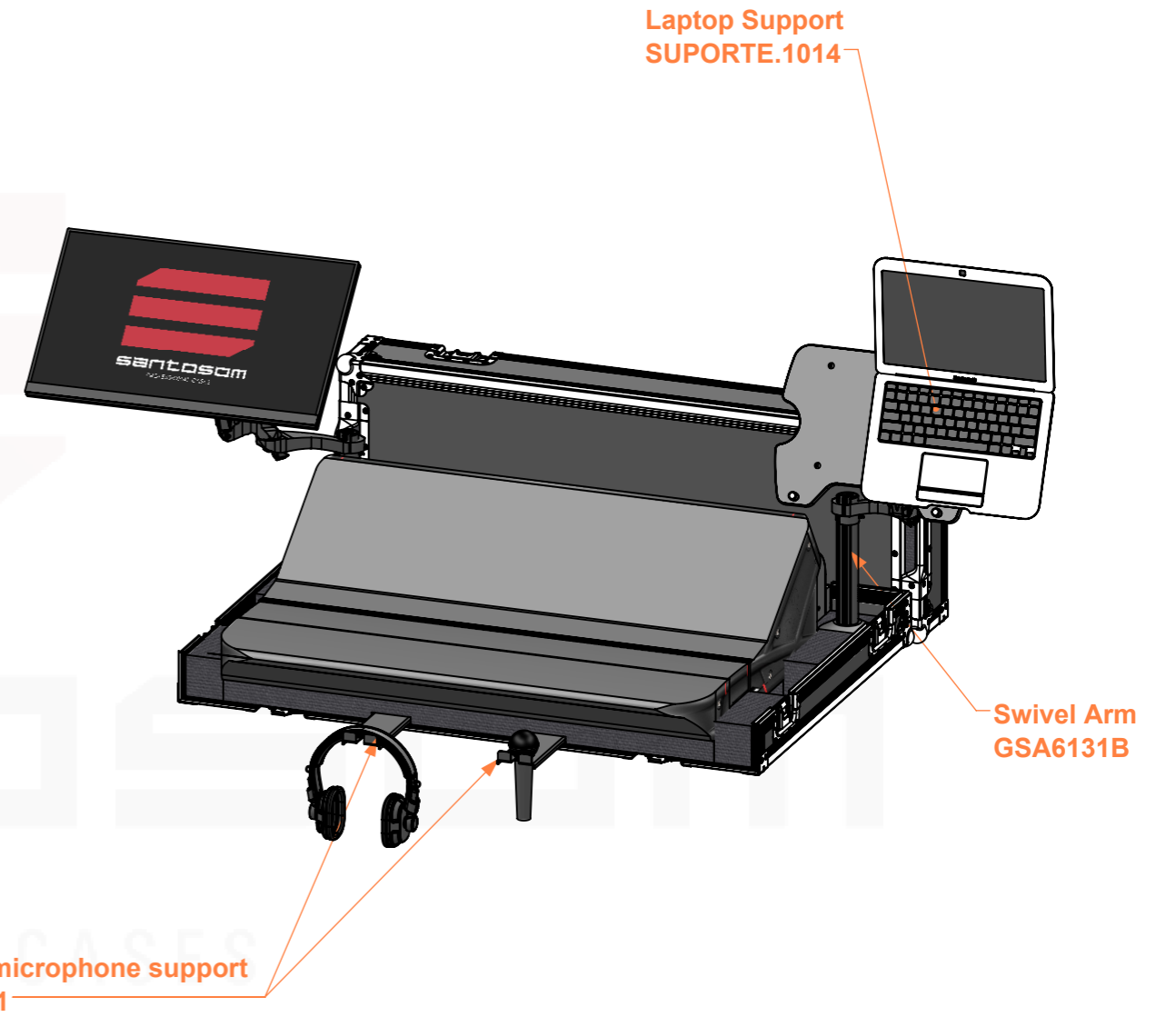
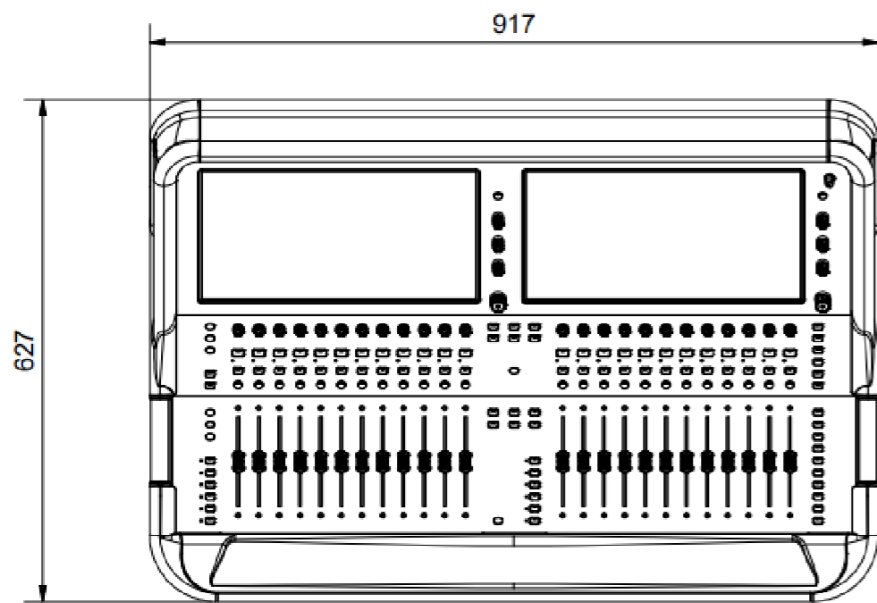
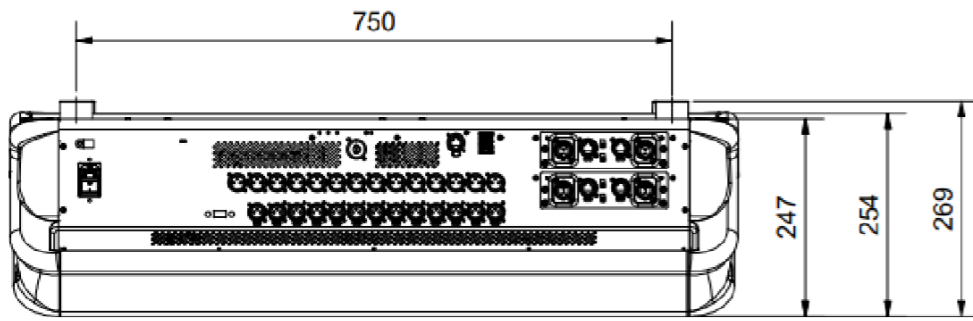
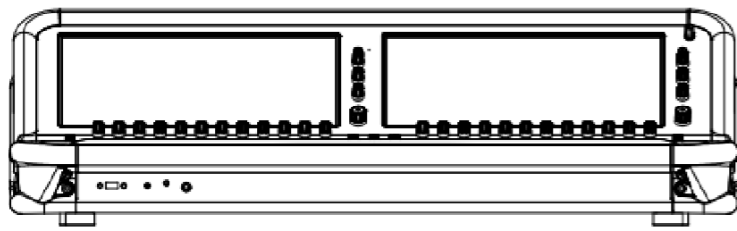
units in mm DO NOT SCALE general tolerance 0.8mm

	Name	Date
Drawn by	carlasilva	22/05/2020
Reference		



ALLEN & HEATH AVANTIS

Weight.: 24 Kg



Drawn by	Name	Date
carlasilva	carlasilva	22/05/2020
Reference	MIXER.535PRO	
Scale	units in mm	general tolerance
1:10	DO NOT SCALE	0.8mm
Flight case PRO-3, Allen & Heath Avantis		



This drawing must not be copied or disclosed without consent of the owner



A3