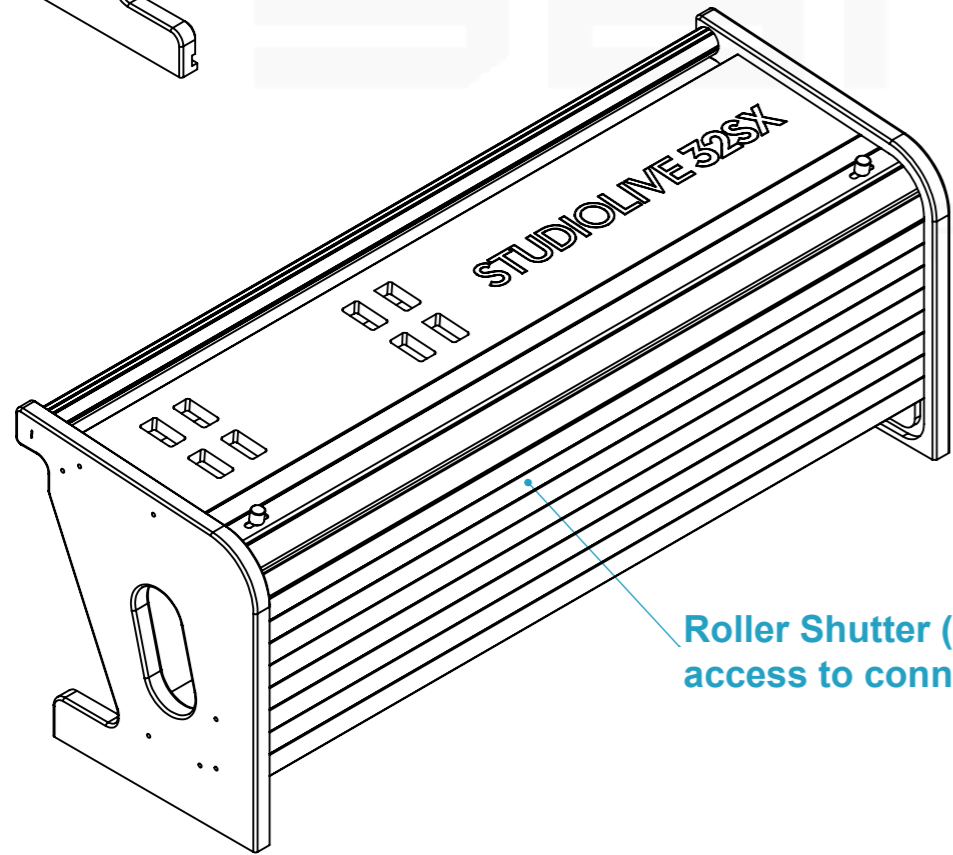
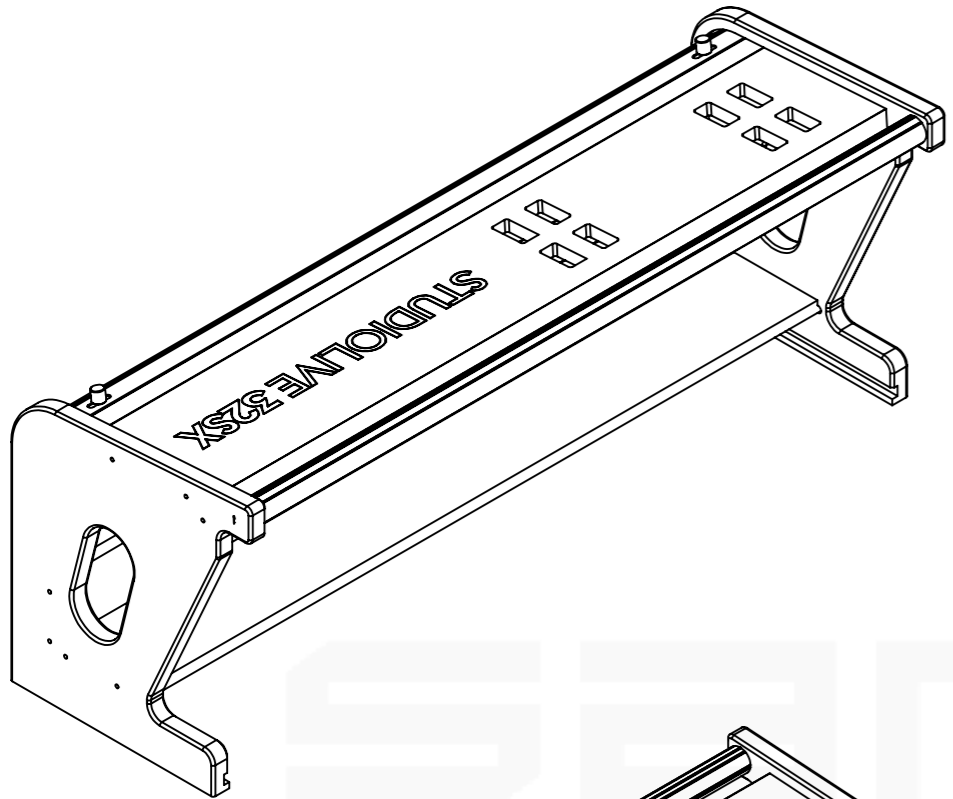
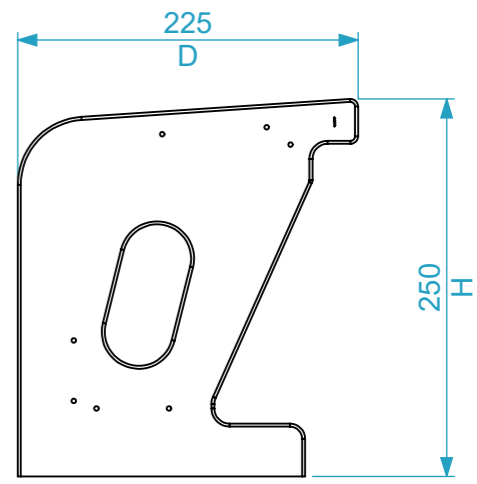
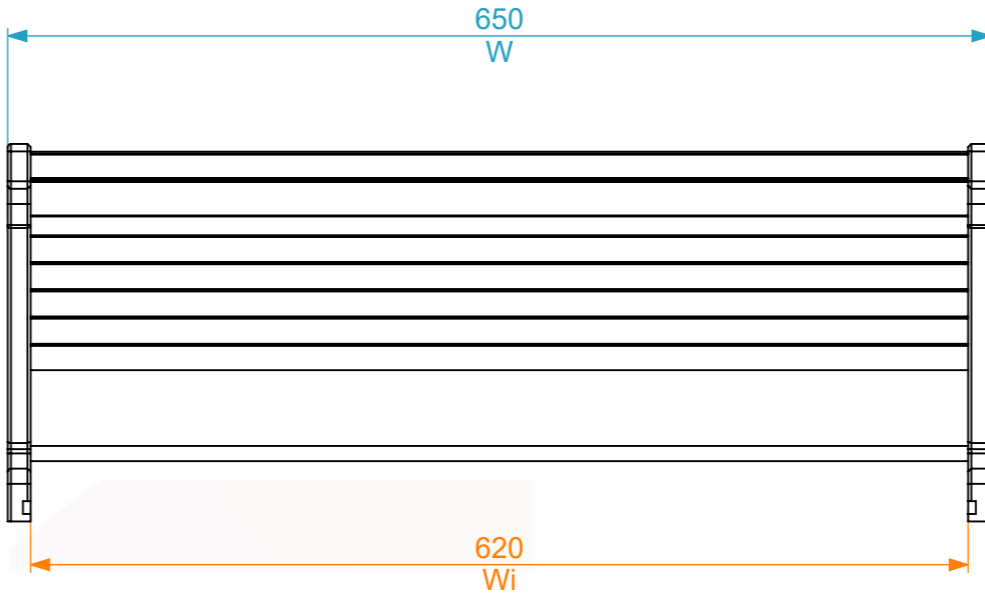


<b>Equipment</b>	Presonus StudioLive 32SX	
<b>Width</b>	<b>Depth</b>	<b>Height</b>
660	583	165
<b>Internal Dimensions</b>		
<b>Width</b>	<b>Depth</b>	<b>Height</b>
650	240	250
<b>Weight</b>	Approx. 3 Kg	
<b>Wall Thickness</b>	20mm	



<b>General External Dimensions</b>	
W	Width
D	Depth
H	Height
<b>Usable Inner Dimensions</b>	
Wi	Inside Width
Di	Inside Depth
Hi	Inside Height
<b>Wood Inner Dimensions</b>	
WWi	Wood Inside Width
WDi	Wood Inside Depth
WHi	Wood Inside Height

<b>Name</b>	projects	<b>Date</b>	04/02/2022
<b>Reference</b>	MIXER.527.A01		
<b>Scale</b>	1:5	<b>units in mm</b>	<b>general tolerance</b> 0.8mm
DO NOT SCALE			
Compartmento, Presonus StudioLive 32SX			



This drawing must not be copied or disclosed without consent of the owner



A3