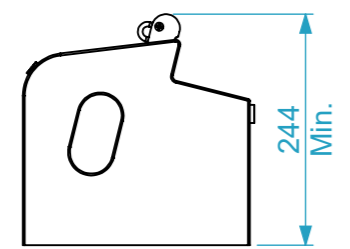
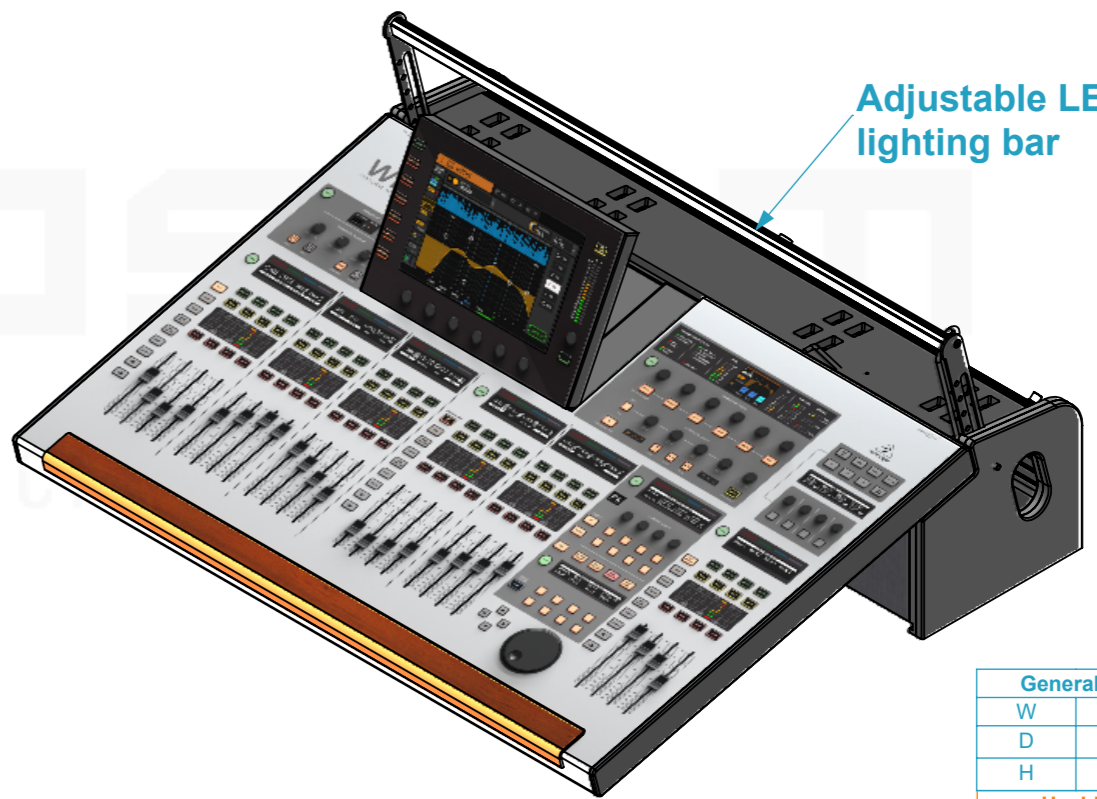
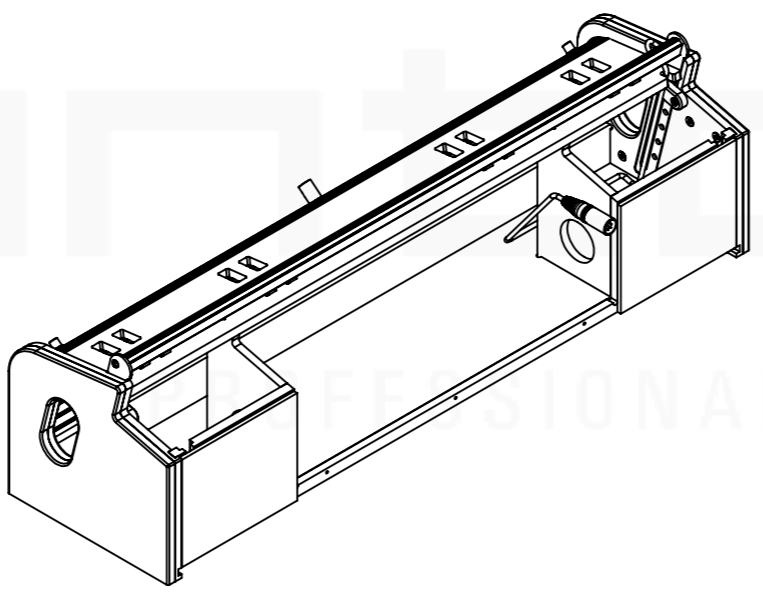
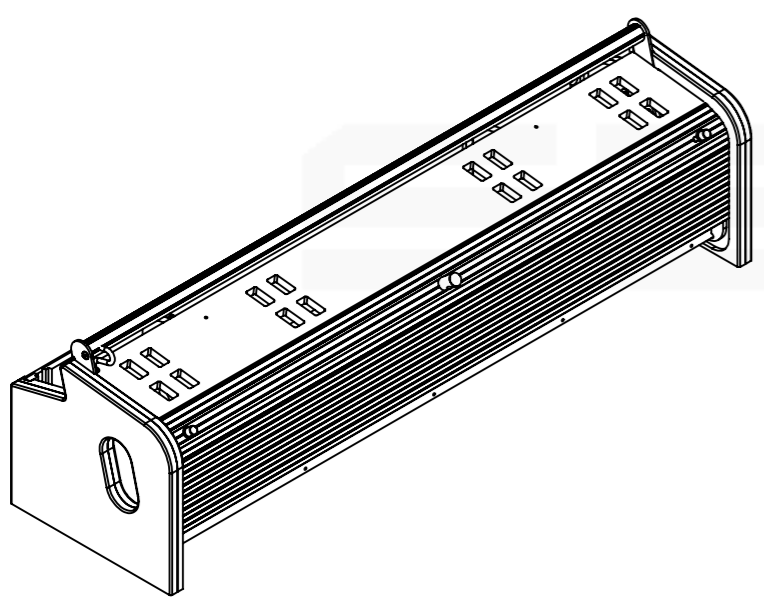
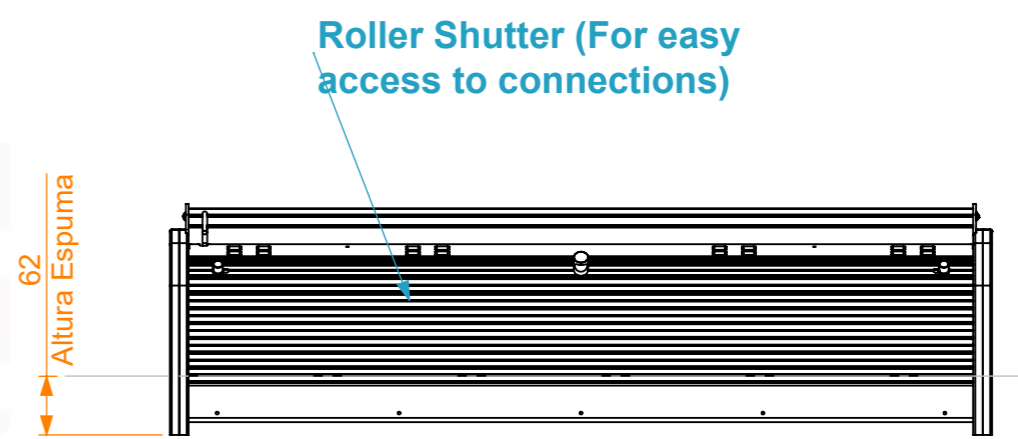
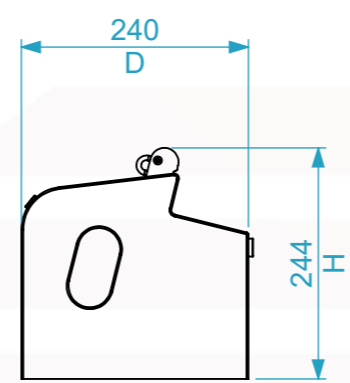
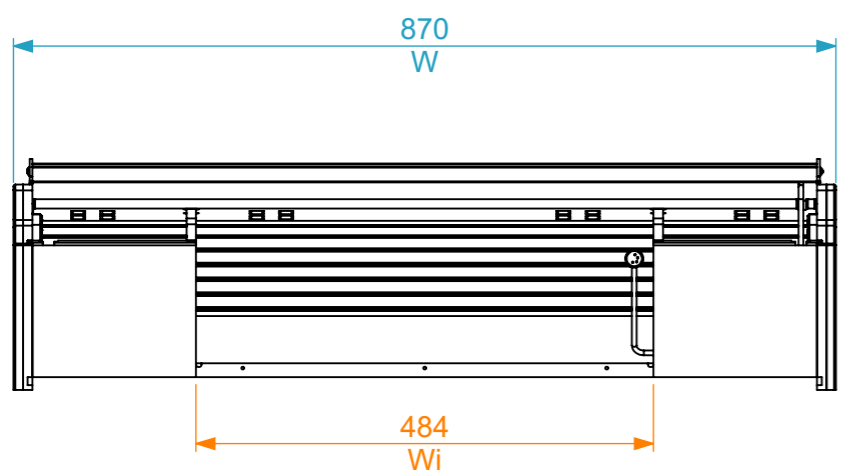
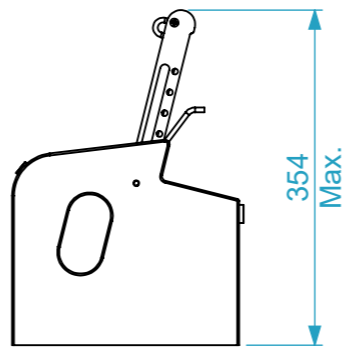


Equipment	Behringer WING	
Width	Depth	Height
870	584	201
Internal Dimensions		
Width	Depth	Height
870	240	244
Weight	Approx. 6 Kg	
Wall Thickness	20mm	



closed



open

General External Dimensions	
W	Width
D	Depth
H	Height
Usable Inner Dimensions	
Wi	Inside Width
Di	Inside Depth
Hi	Inside Height
Wood Inner Dimensions	
WWi	Wood Inside Width
WDi	Wood Inside Depth
WHi	Wood Inside Height

Name	Date	
Drawn by	jose.couto	11/07/2025
Reference	MIXER.526.A01	
Scale	1:8	units in mm
	DO NOT SCALE	general tolerance 0.8mm
Compartmento, Behringer Wing (870x575x201 24kg)		



A3 This drawing must not be copied or disclosed without consent of the owner

