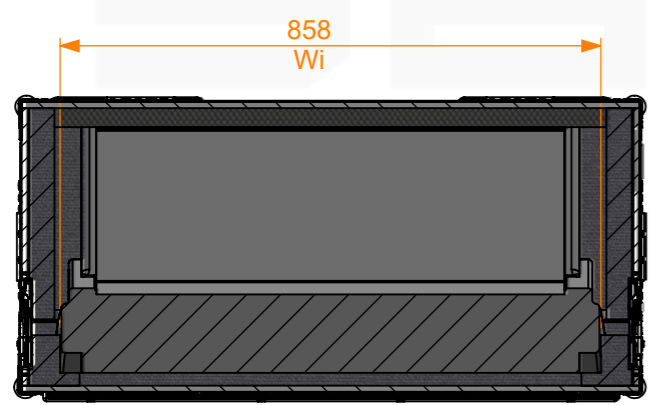
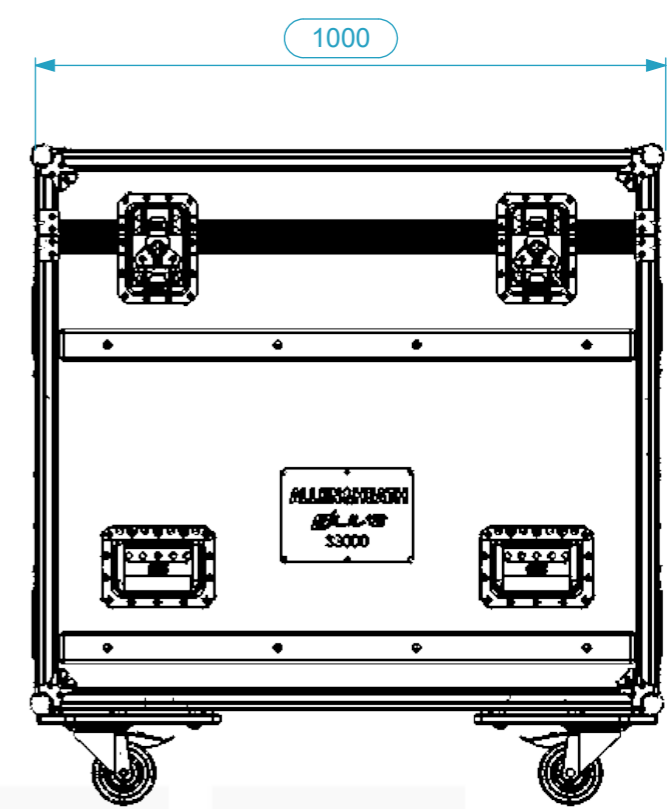
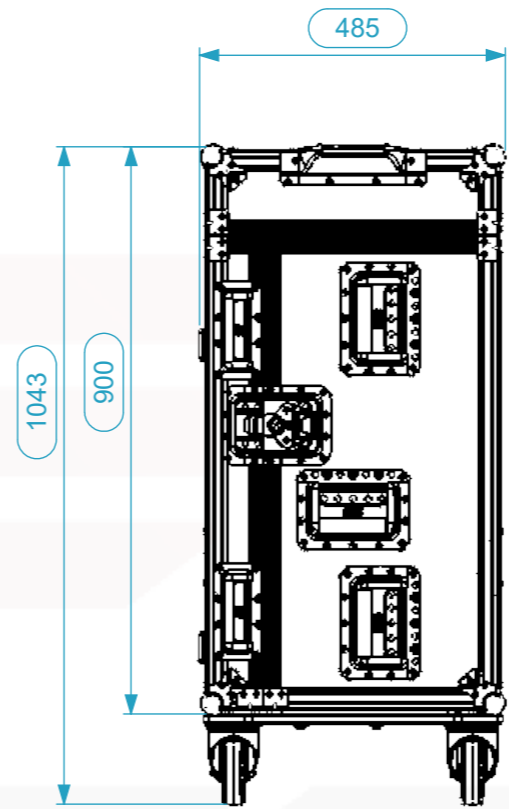
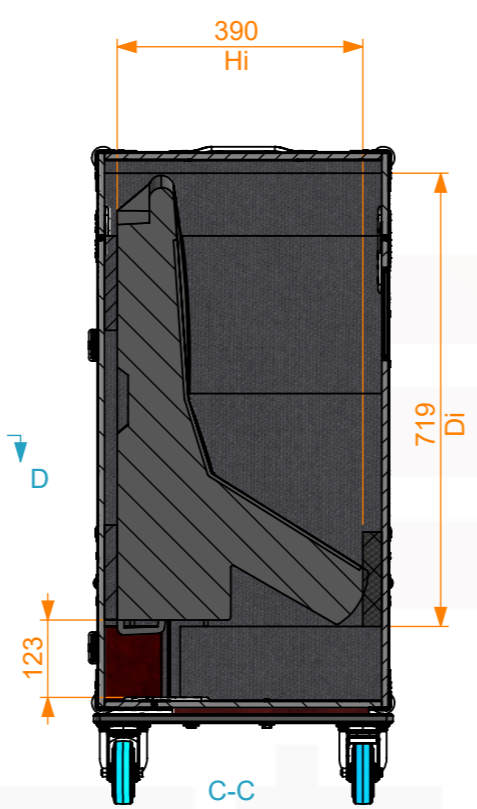
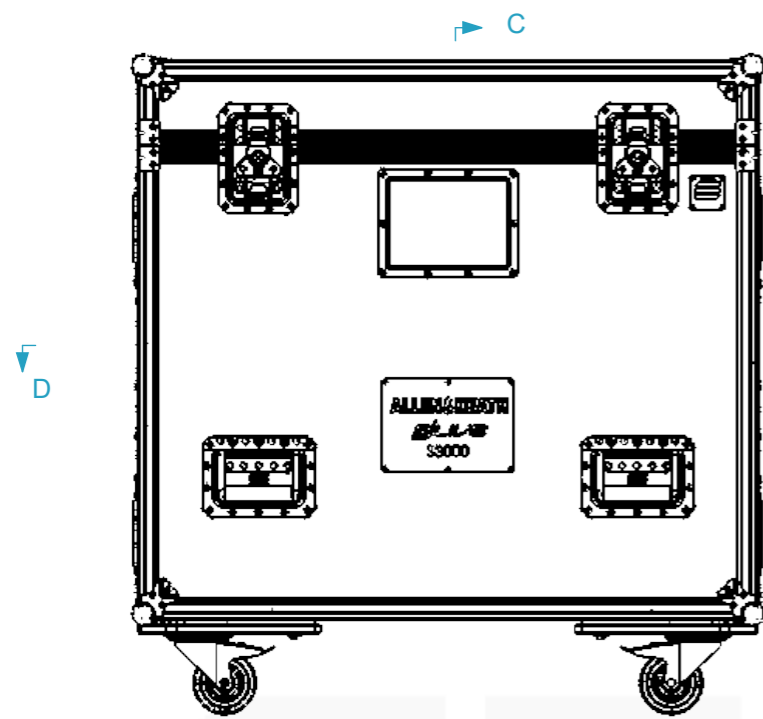
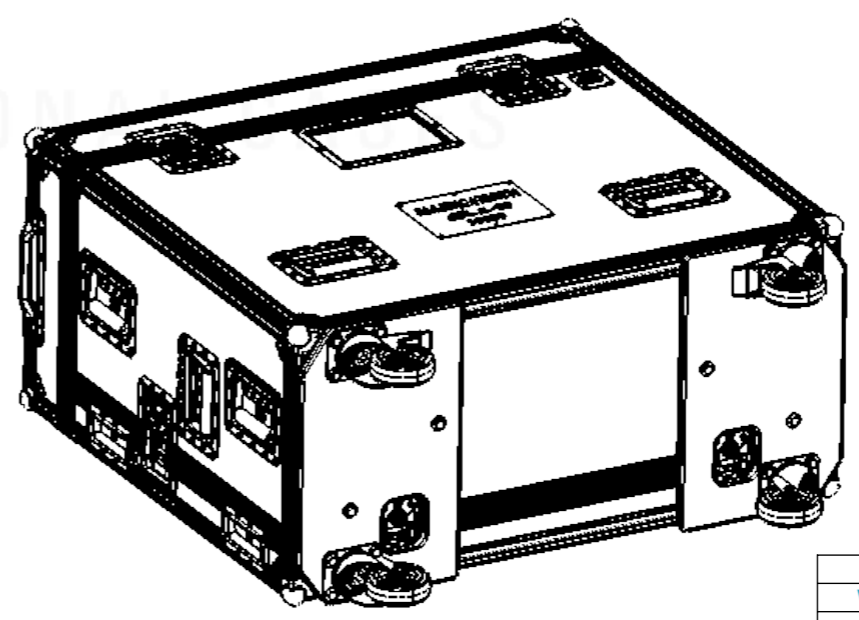
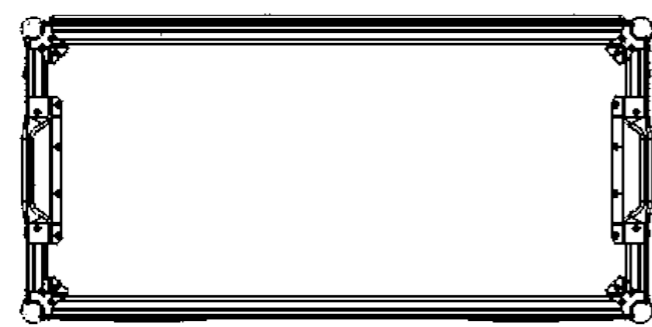


Equipment	Allen & Heath DLive S3000	
Width	Depth	Height
870	729	413
Internal Dimensions		
Width	Depth	Height
858	719	390
Weight	Approx. 26.41 Kg	
Wall Thickness	10mm	



D-D



General External Dimensions		Usable Inner Dimensions	
W	Width	Wi	Inside Width
D	Depth	Di	Inside Depth
H	Height	Hi	Inside Height

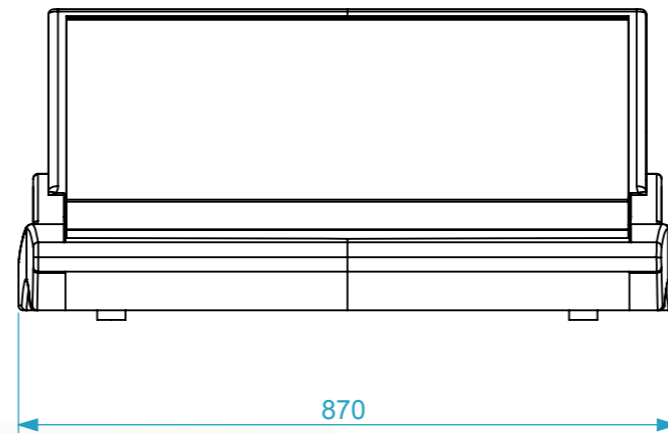
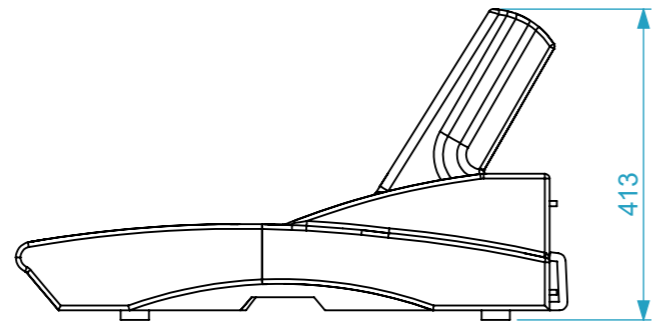
Name	Date
Drawn by jose.couto	24/05/2022
Reference	MIXER.523
Scale	1:12
units in mm	general tolerance 0.8mm
DO NOT SCALE	
Flight case, Allen & Heath DLive S3000	



This drawing must not be copied or disclosed without consent of the owner



A3



ALLEN & HEATH dLIVE S3000

Weight.: 28 Kg



	Name	Date
Drawn by	jose.couto	24/05/2022
Reference	MIXER.523	
Scale	units in mm	general tolerance
1:8	DO NOT SCALE	0.8mm
	Flight case, Allen & Heath dLive S3000	

This drawing must not be copied or disclosed without consent of the owner



A3

