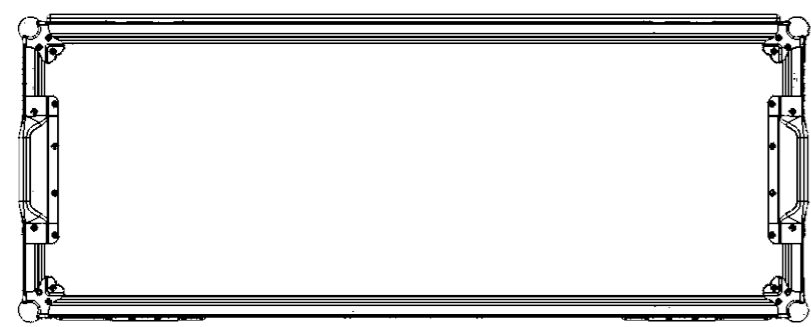
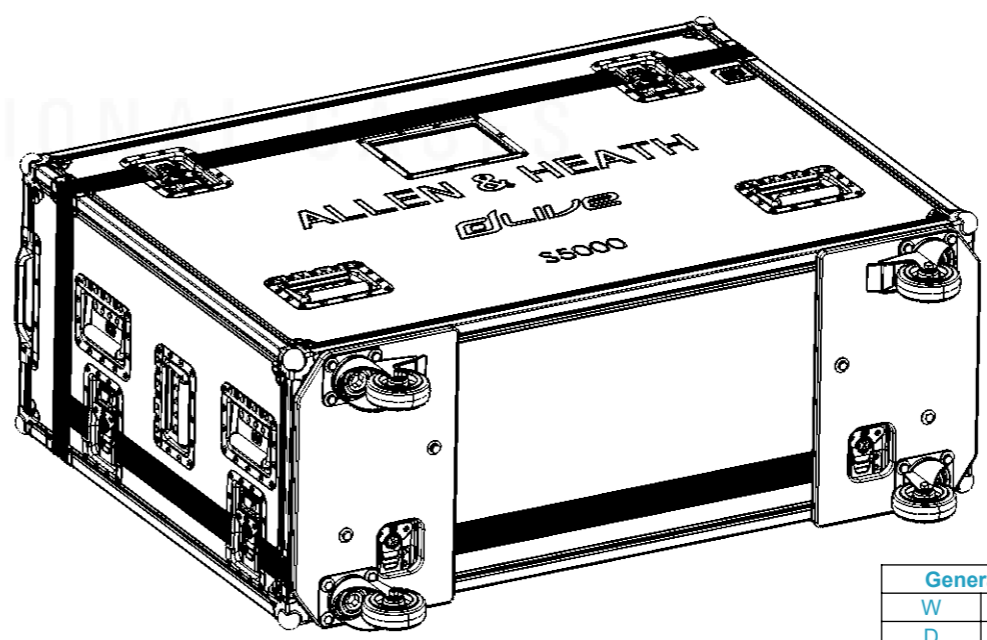
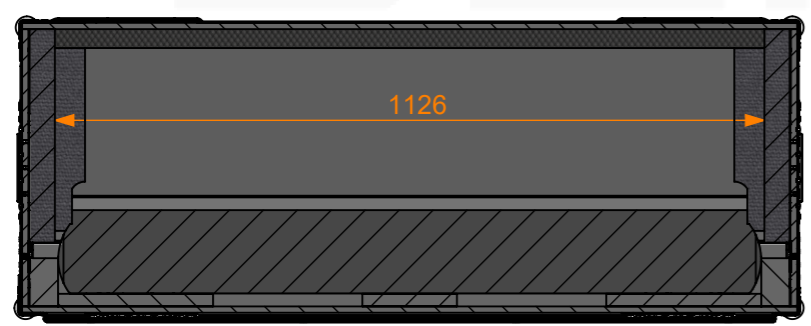
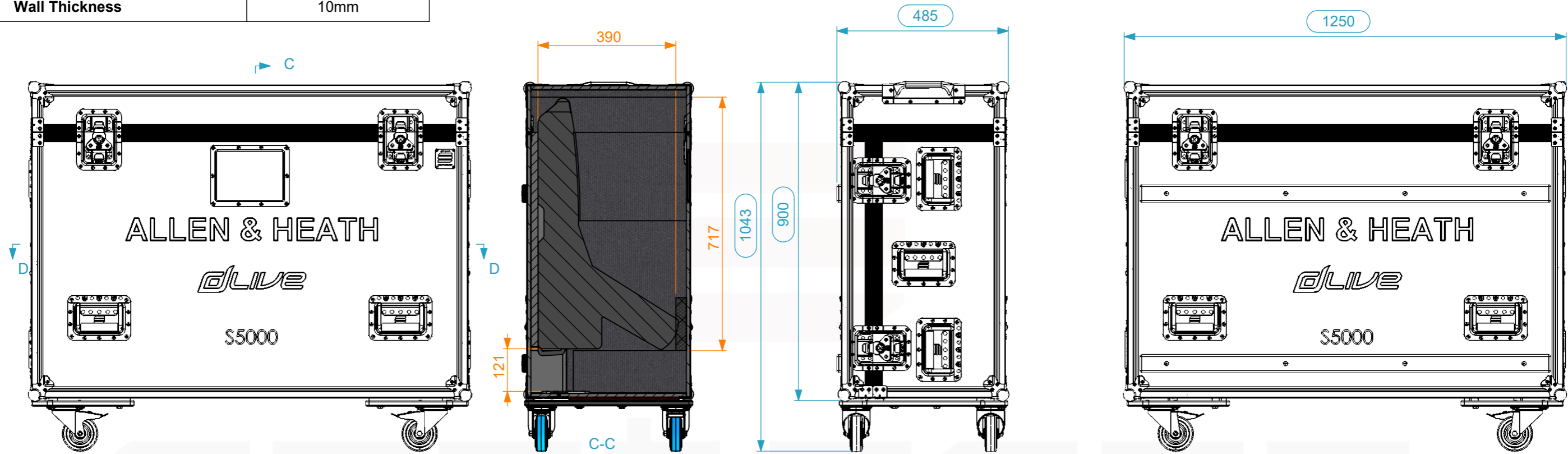


Equipment	Allen & Heath DLive S5000	
Width	Depth	Height
1116	729	413
Internal Dimensions		
Width	Depth	Height
1126	717	400
Weight	Approx. 57.23 Kg	
Wall Thickness	10mm	



General External Dimensions		Usable Inner Dimensions	
W	Width	Wi	Inside Width
D	Depth	Di	Inside Depth
H	Height	Hi	Inside Height

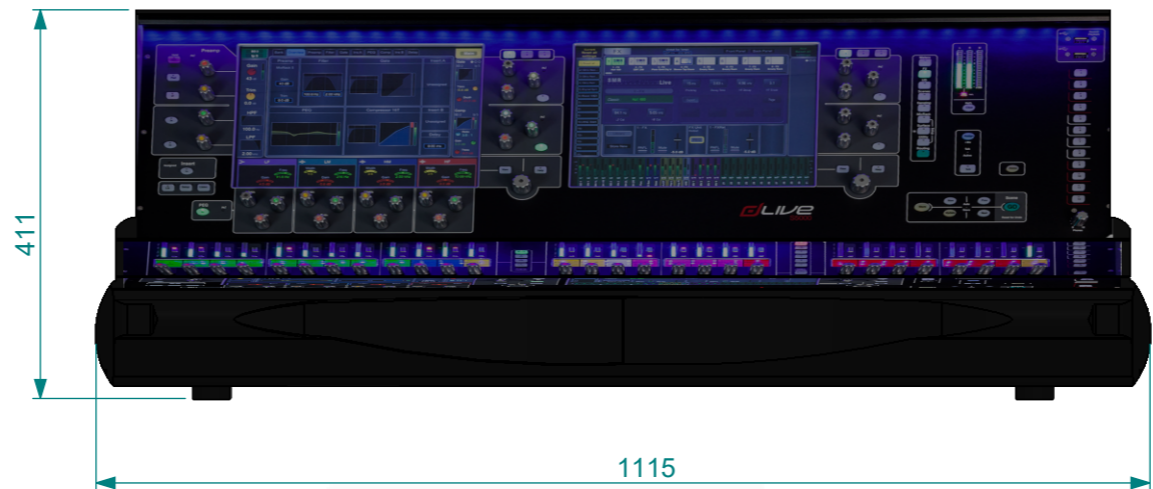
Name	Date
CarlaSilva	15/06/2020
Reference	MIXER.495
Scale	1:12
units in mm	general tolerance 0.8mm
DO NOT SCALE	
Flight case PRO-3, Allen & Heath DLive S5000	



This drawing must not be copied or disclosed without consent of the owner



A3



ALLEN & HEATH dLIVE S5000
Weight.: 35 Kg



Drawn by	Name	Date
CarlaSilva	CarlaSilva	15/06/2020
Reference	MIXER.495	
Scale	units in mm	general tolerance
1:8	DO NOT SCALE	0.8mm
Flight case PRO-3, Allen & Heath dLive S5000		

A3 This drawing must not be copied or disclosed without consent of the owner

