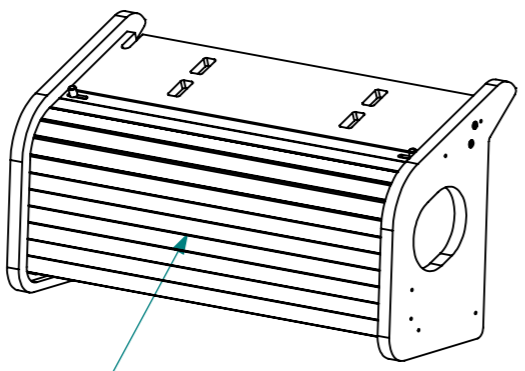
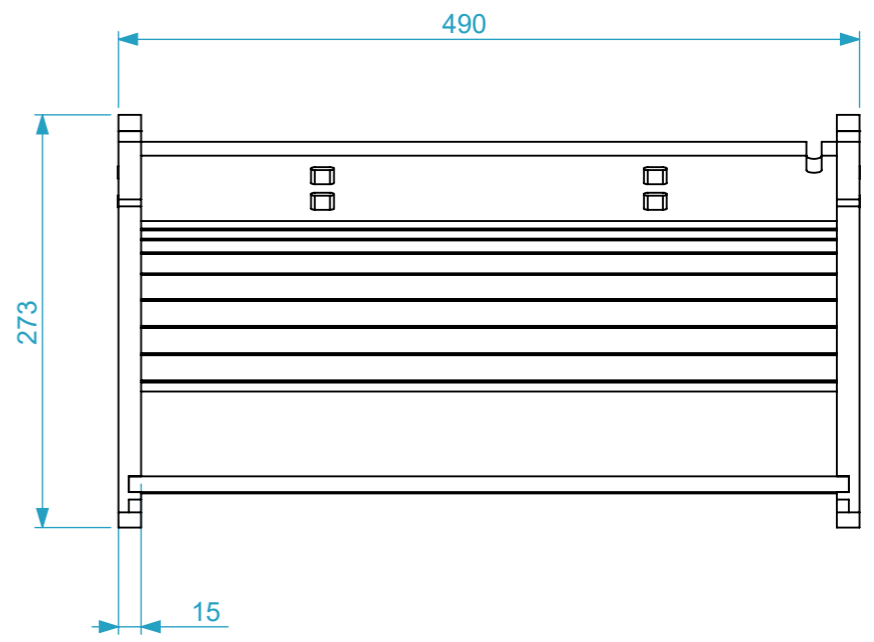
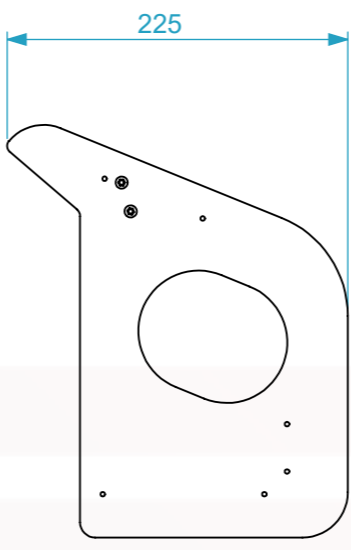


Dimensions

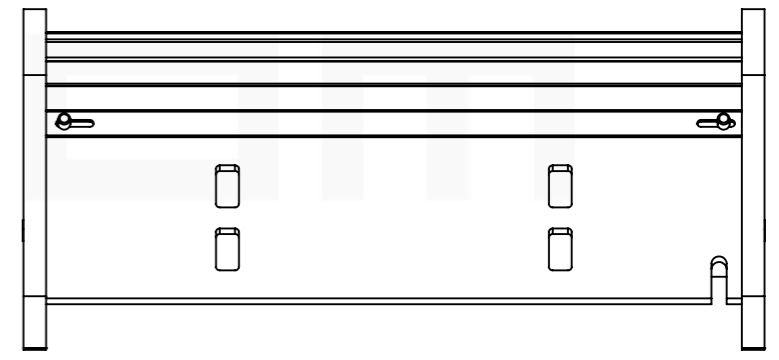
Width	Depth	Height
490	225	273
Weight	Approx. 1.99 Kg	
Wall Thickness		15mm



Roller Shutter
(for easy access to connections)



Optional:
REF:SUPORTE.1048



This drawing must not be copied or disclosed without consent of the owner

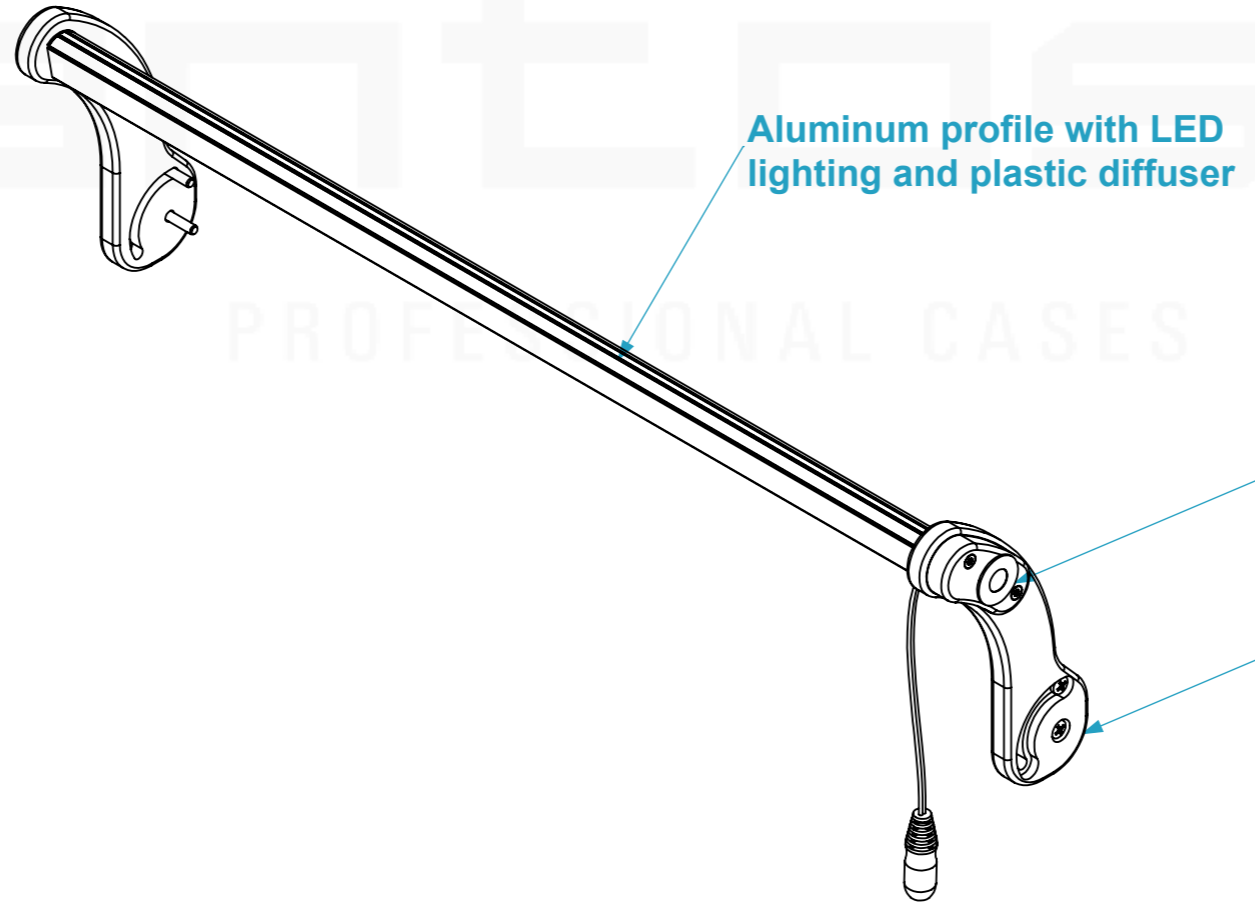
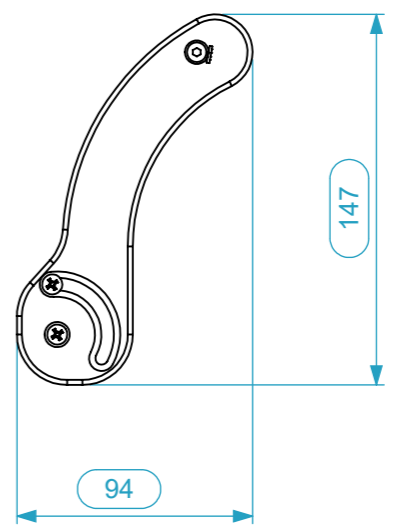
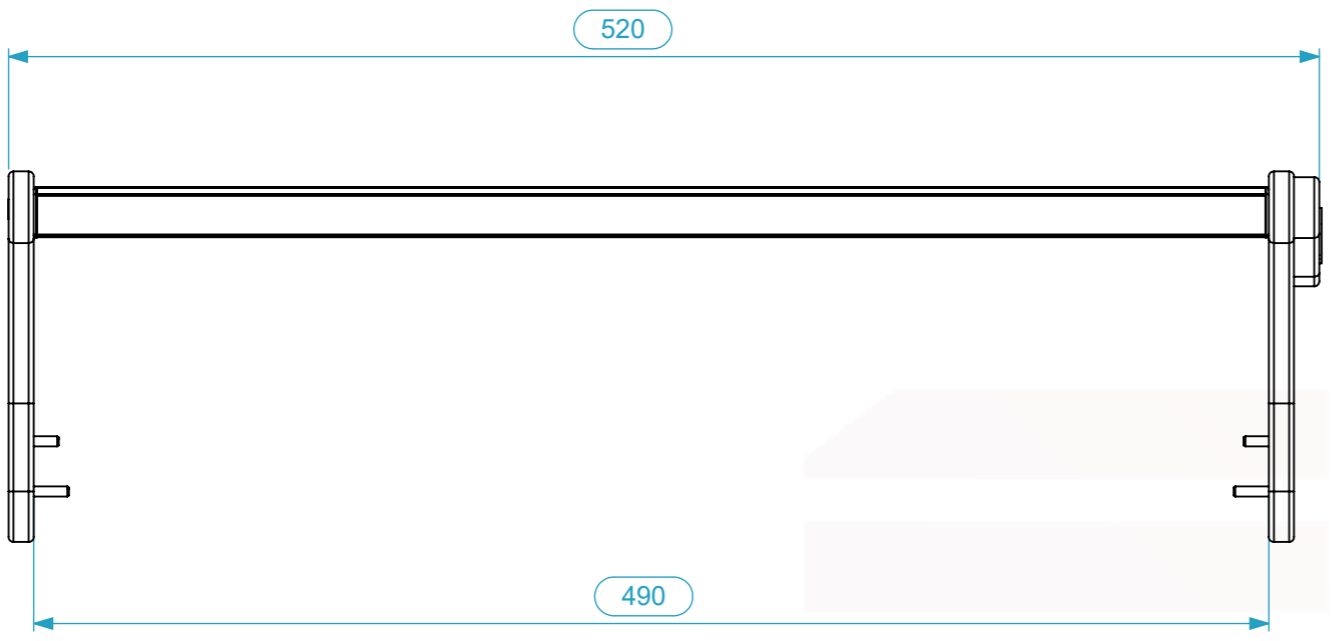
Drawn by	jose.couto	Date	15/06/2022
Reference	MIXER.492.A02		
Scale	1:5	units in mm	DO NOT SCALE
		general tolerance	0.8mm
Acessório MIXER.492 Móvel para FC, Yamaha TF1			



A3



Weight	Approx. 0.30 Kg
Side Supports Thickness	10mm



Aluminum profile with LED lighting and plastic diffuser

Dimmer

Plastic side supports (the system is attached to the flight case compartment)

	Name	Date
Drawn by	jose.couto	15/06/2022
Reference	MIXER.492.A02	
Scale	units in mm DO NOT SCALE	general tolerance 0.8mm
	Acessório MIXER.492 Móvel para FC, Yamaha TF1	



This drawing must not be copied or disclosed without consent of the owner



A3