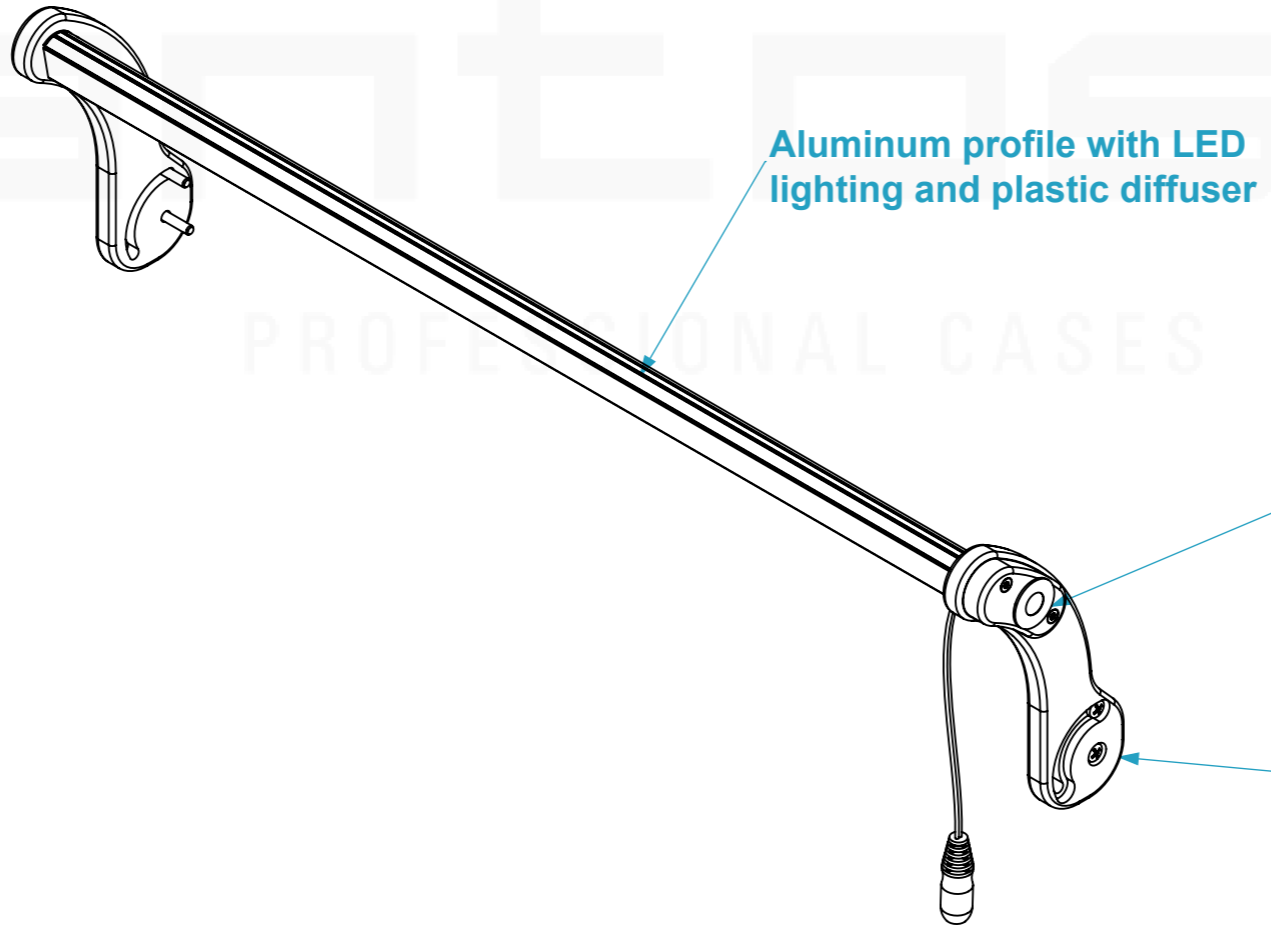
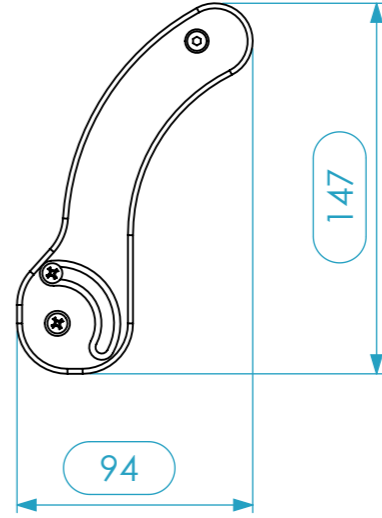
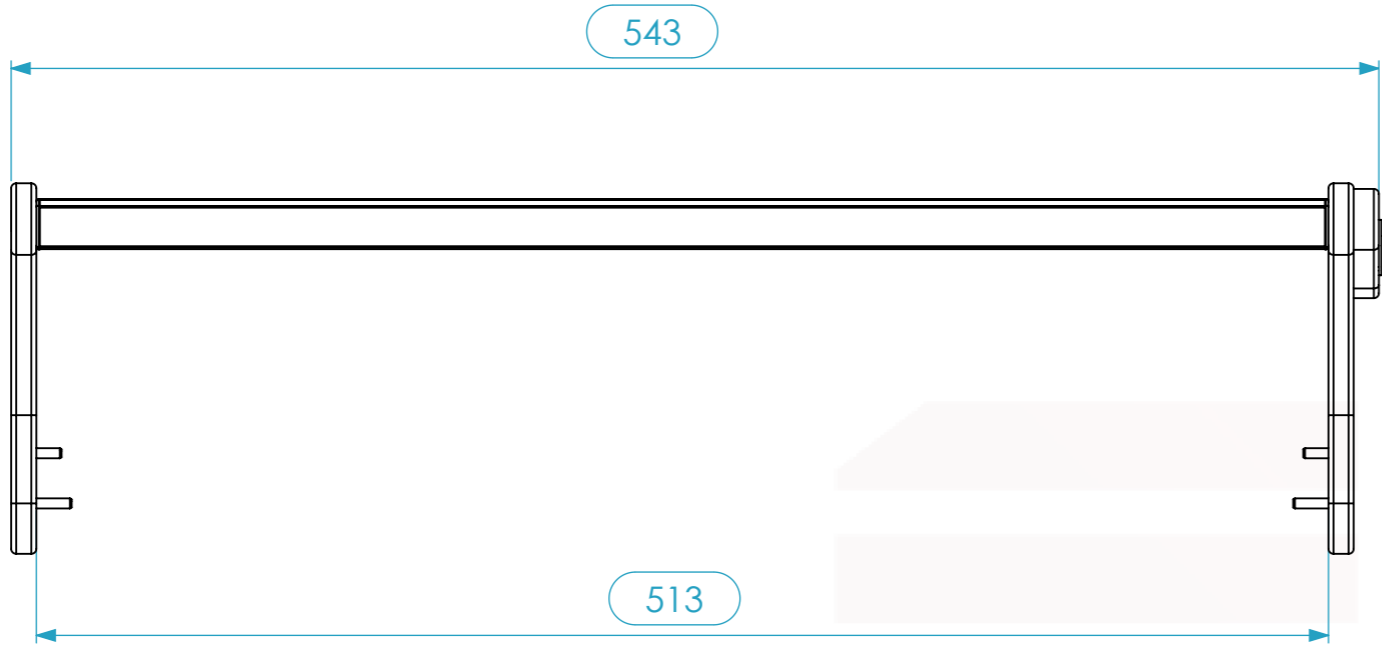


Weight	Approx. 0.31 Kg
Side Supports Thickness	10mm



Plastic side supports (the system is attached to the flight case compartment)

Drawn by	Name	Date
CatarinaDuque	CatarinaDuque	21-11-2018
Reference	MIXER.486A.A03	
Scale	units in mm	general tolerance
1:3	DO NOT SCALE	0.8mm
ACESSÓRIO MIXER.486A KIT LED DE MÓVEL PARA FC, MIDAS M32R		



This drawing must not be copied or disclosed without consent of the owner



A3