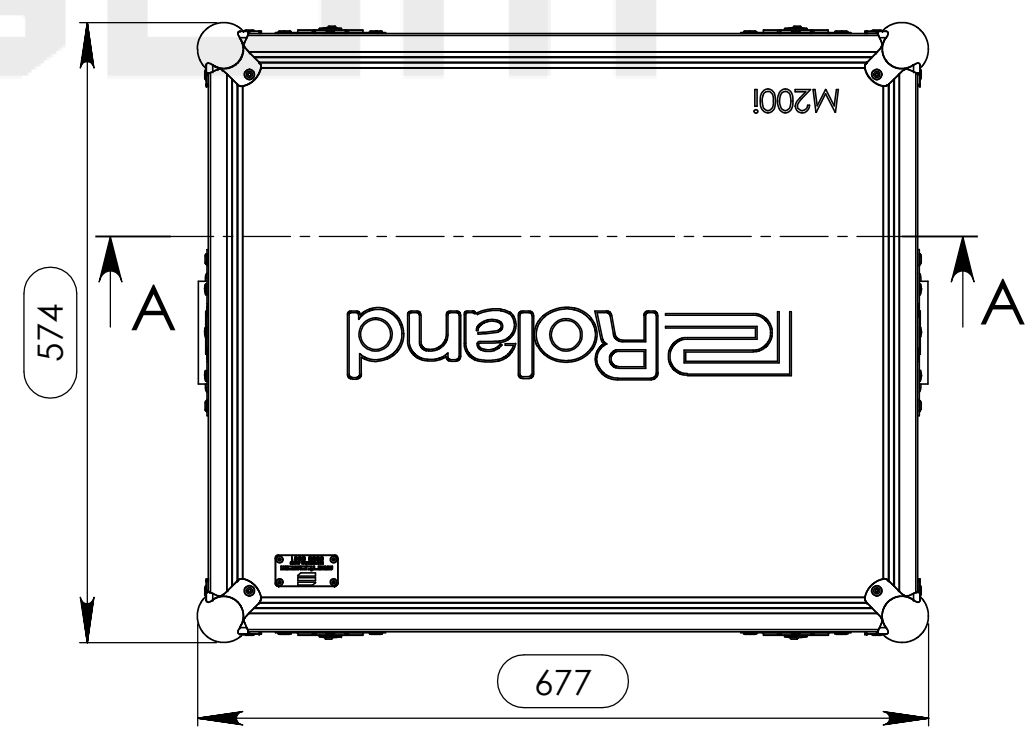
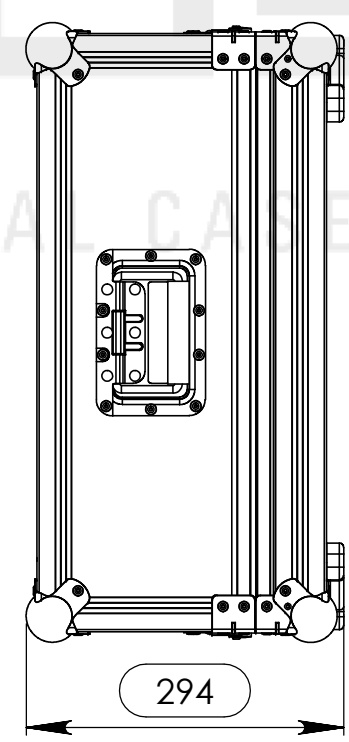
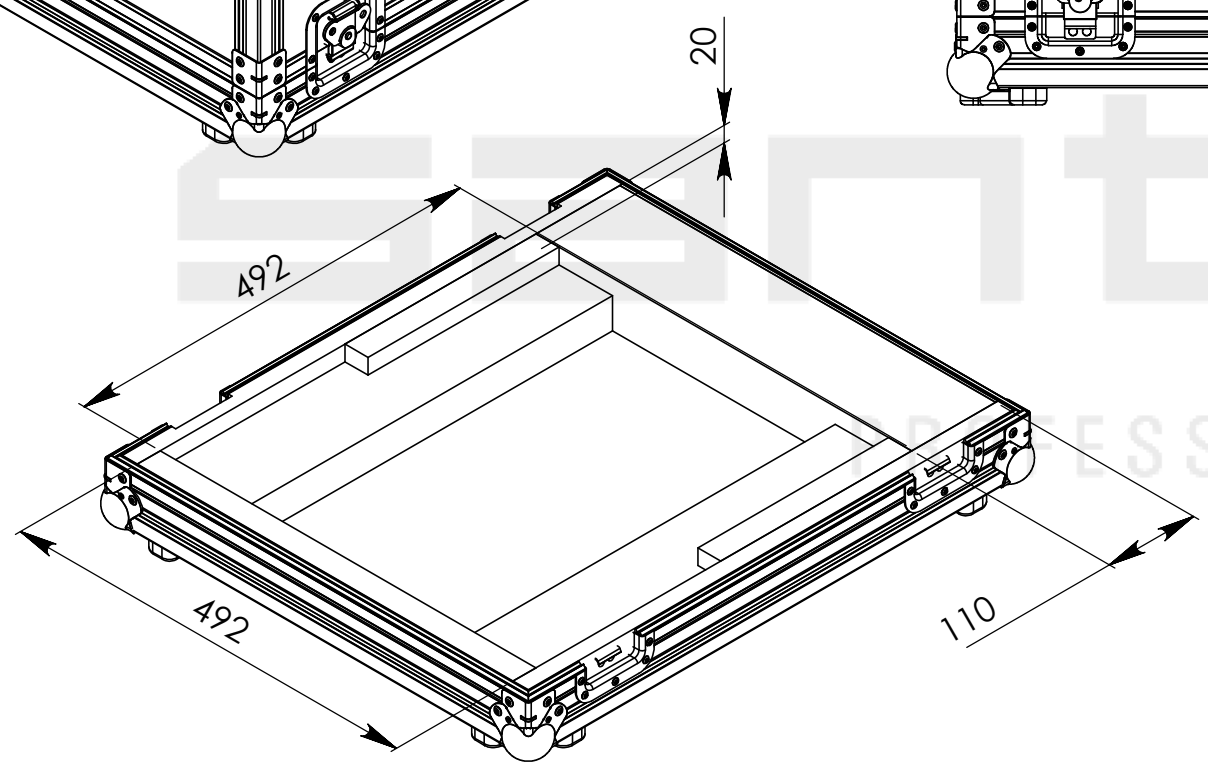
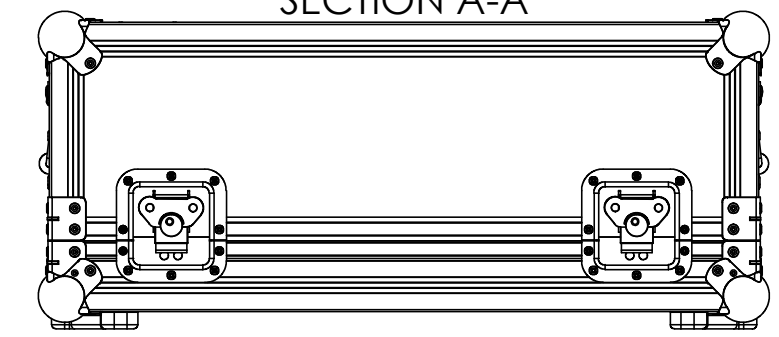
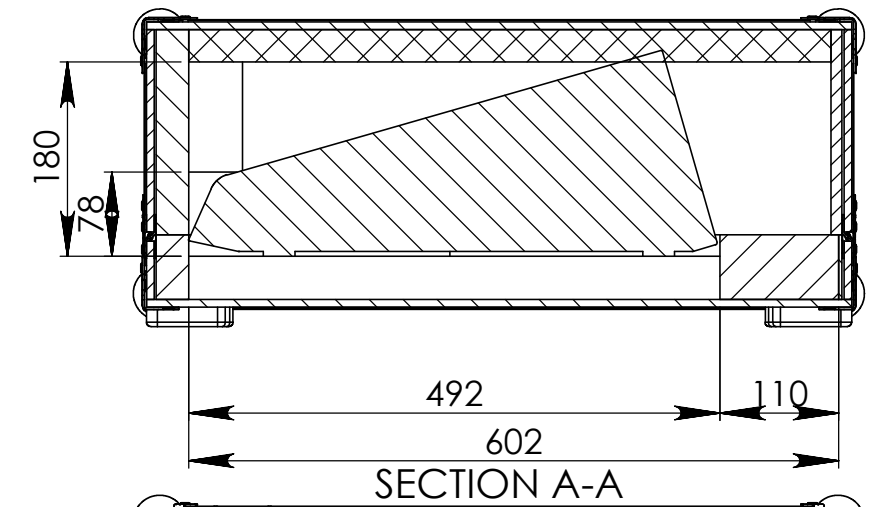
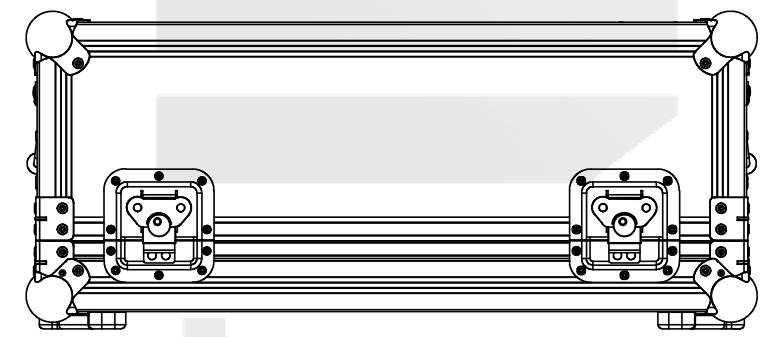
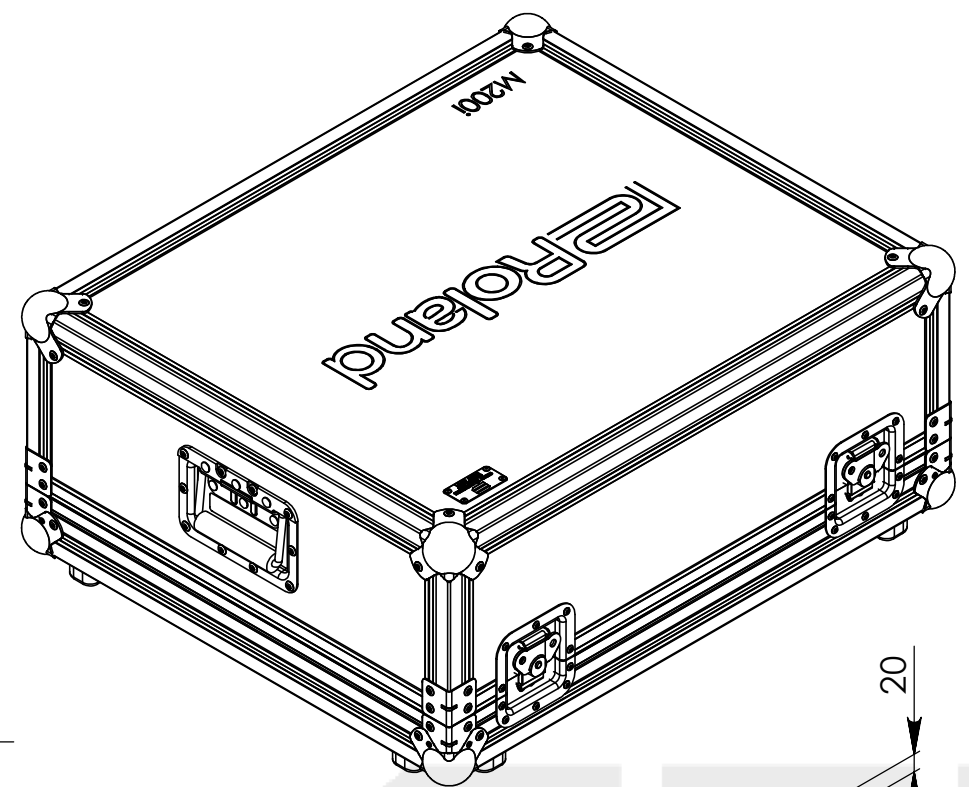


Interior dimensions		
Width	Depth	Height
492	492	180
Weight	Approx. 12 Kg	
Wall Thickness	7mm	

REVISIONS				
ZONE	REV.	DESCRIPTION	DATE	APPROVED
-	-	Final Drawing	30/10/2014	Daniel Lopes



Hardware		
Qty	Ref.	Description
8	40403	Large corner bracket f. 35mm case angle
4	17290S	Key lockable medium Butterfly special
2	34082	Recessed sprung handle medium model
8	4120	Medium ball corner zinc plated

This drawing must not be copied or disclosed without consent of the owner

Drawn by	Name	Date
DanielLopes	DanielLopes	30-10-2014
Reference	MIXER.482	
Scale	units in mm	general tolerance
1:7	DO NOT SCALE	±0.8mm
FC ECO ROLAND M2001		

