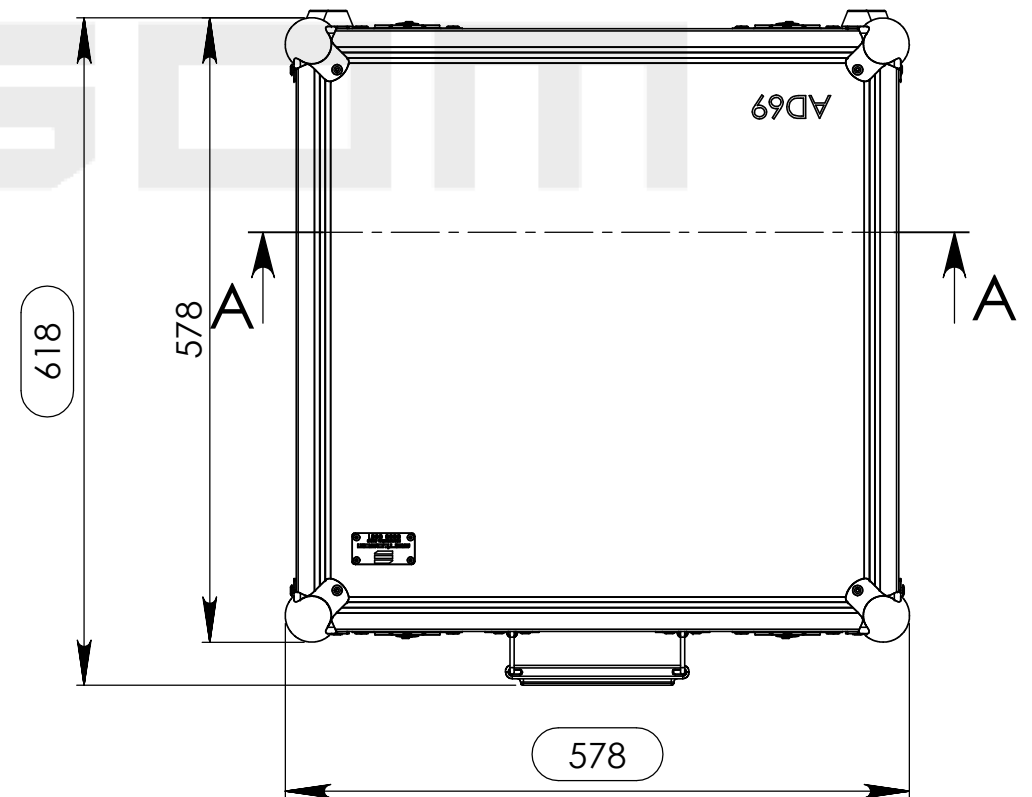
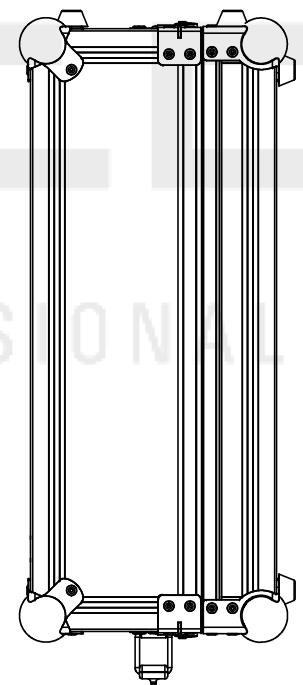
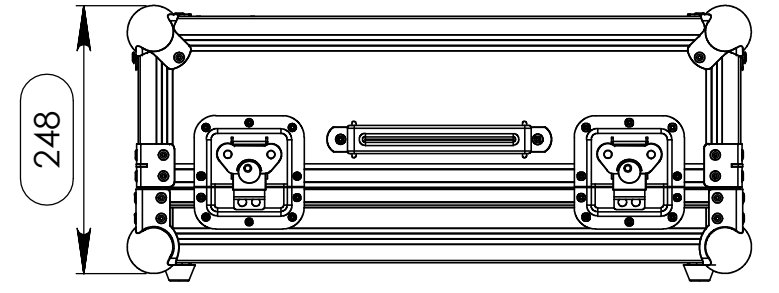
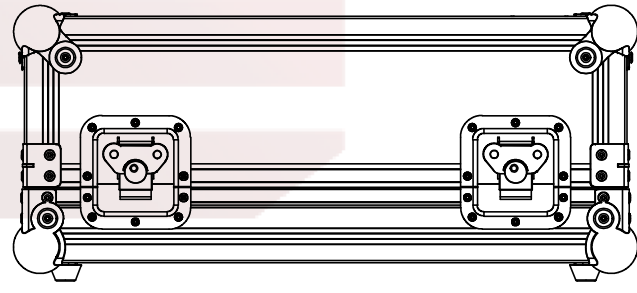
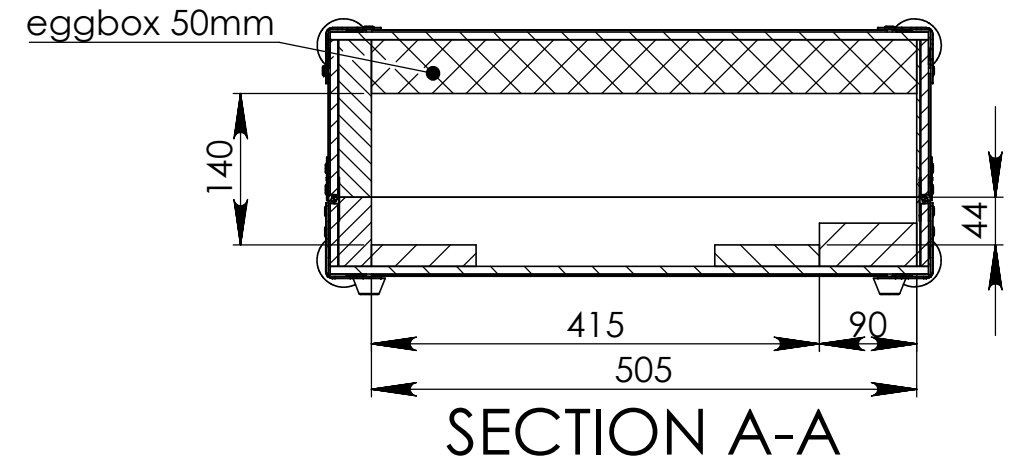
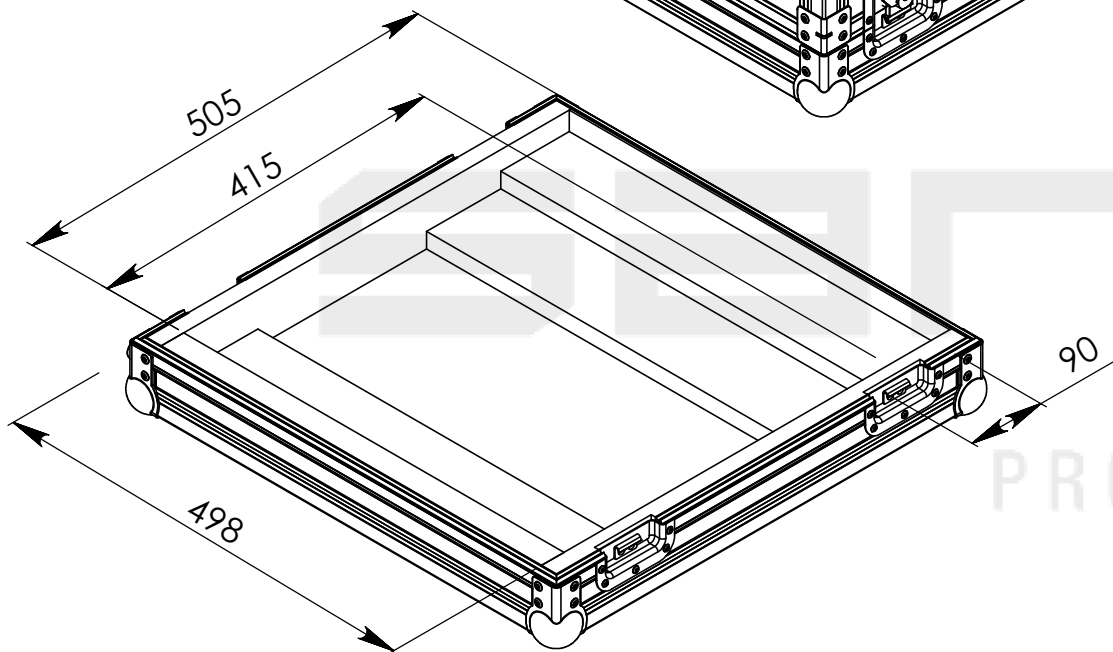
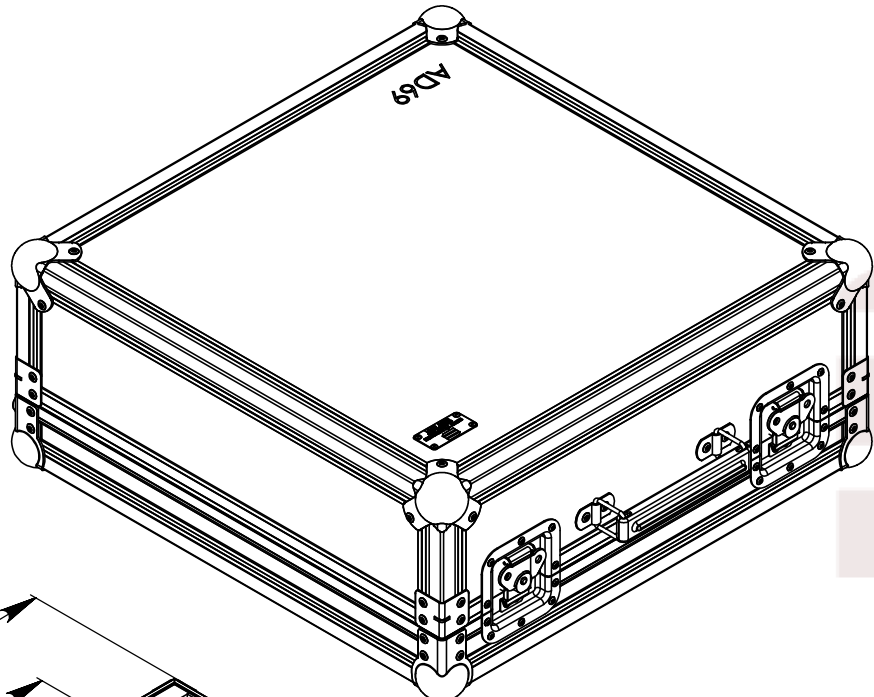


Interior dimensions		
Width	Depth	Height
498	415	140
Weight	Approx. 10 Kg	
Wall Thickness	7mm	

REVISIONS				
ZONE	REV.	DESCRIPTION	DATE	APPROVED
-	-	Final Drawing	20/05/2014	Daniel Lopes



Hardware		
Qty	Ref.	Description
4	4120	Medium ball corner zinc plated
4	40403	Large corner bracket f. 35mm case angle
4	17290S	Key lockable medium Butterfly special
4	41201	COMBINED BALL CORNER AND BRACE 68MM HIGH
1	3417	Leather Case Handle
8	4901	Rubber foot 30 x 15mm, black

This drawing must not be copied or disclosed without consent of the owner

Drawn by	DanielLopes	Date	20-05-2014
Reference	MIXER.480		
Scale	1:7	units in mm	general tolerance 0.8mm
FC. MIXER MONTARBO AD69			

