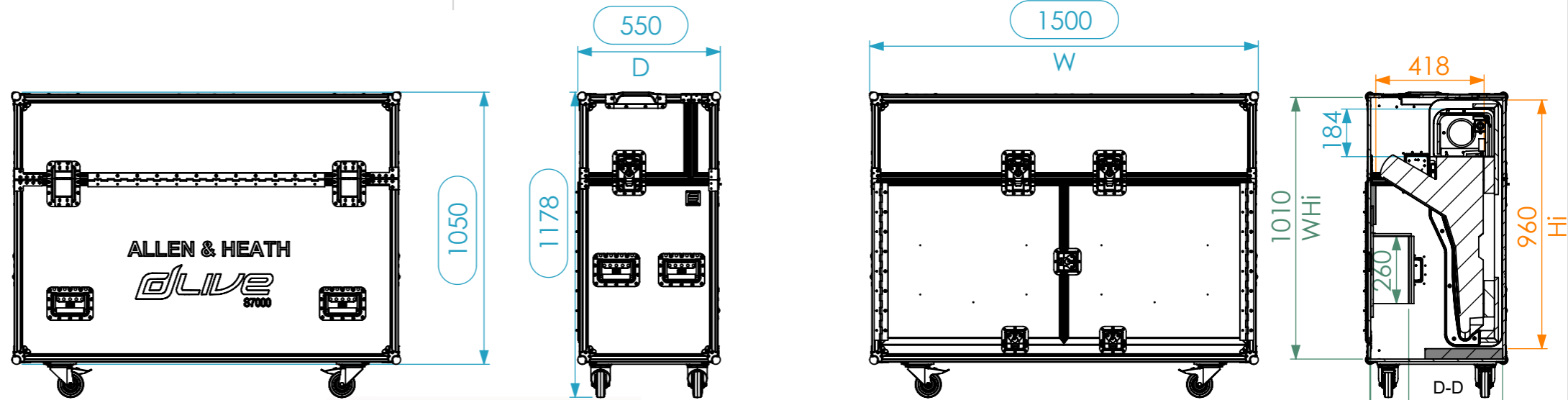
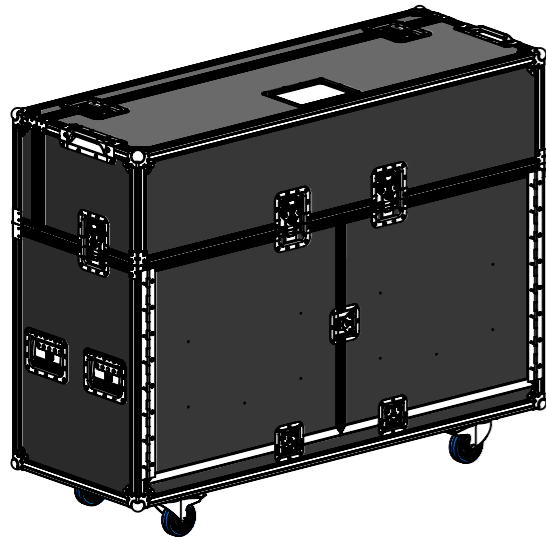
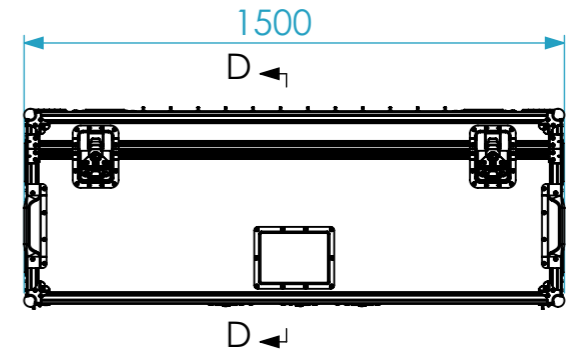
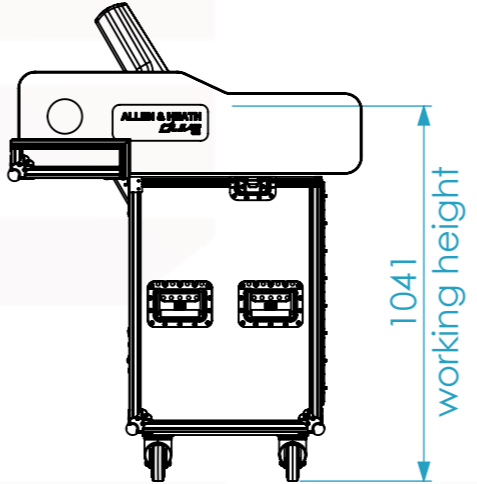
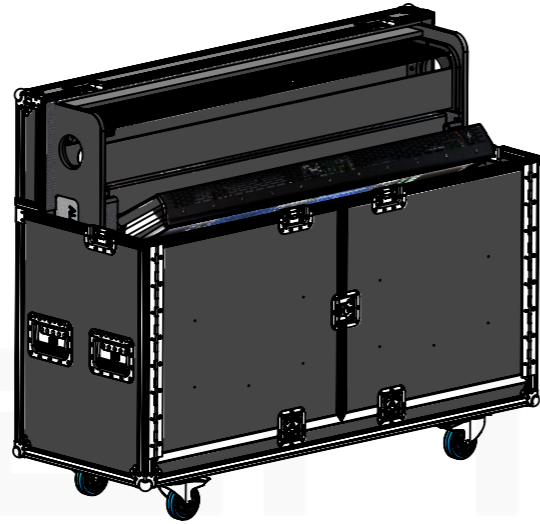


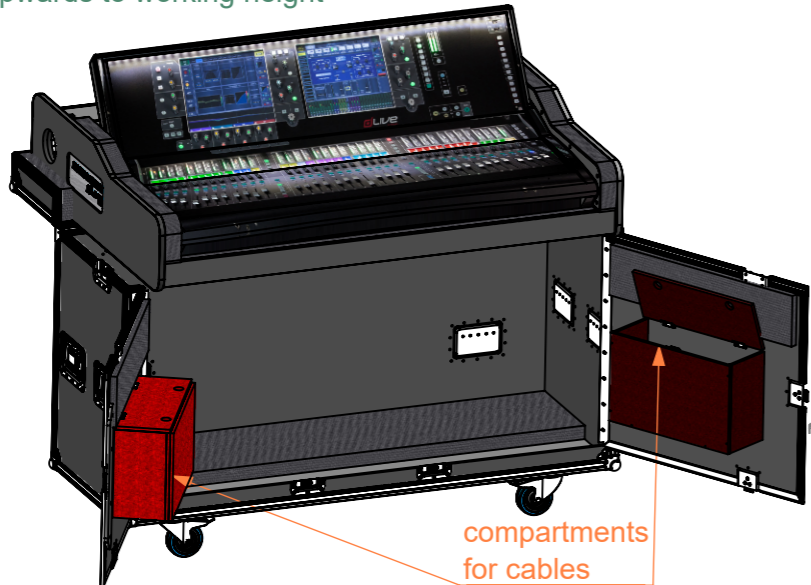
Equipment		D-Live S7000	
Width	Depth	Height	
1325	728	415	
Internal Dimensions			
Width	Depth	Height	
1456	506	1006	
Weight	Approx. 90 Kg		
Wall Thickness	10mm		



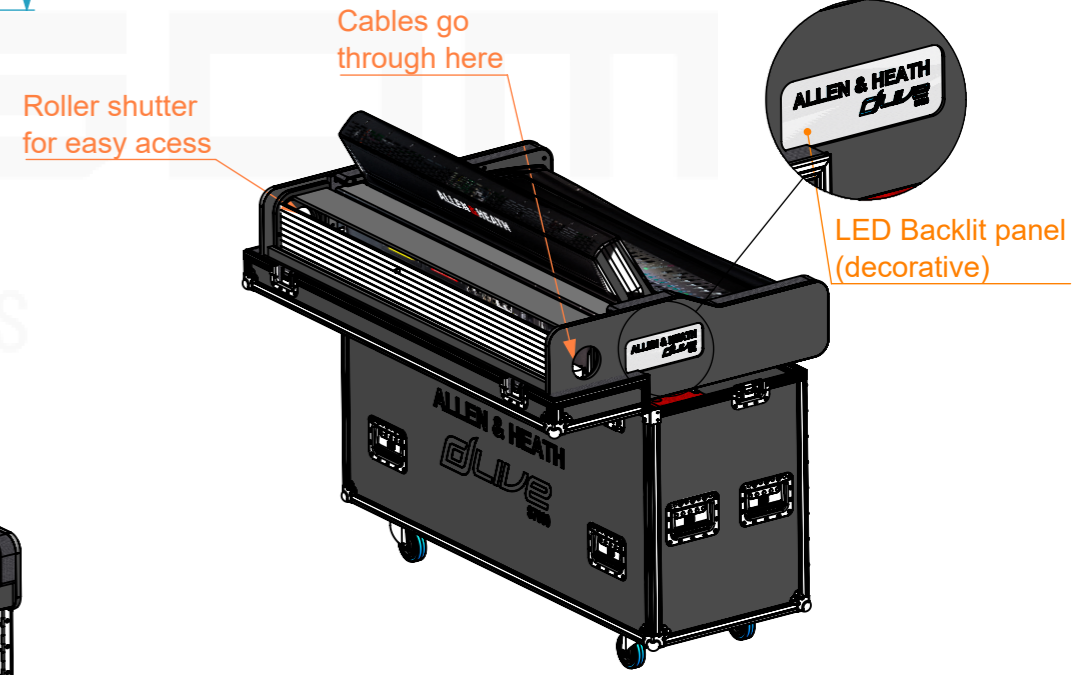
1. Remove Top Lid



2. Open Doors
3. Pull Mixer upwards to working height



4. Close doors and let mixer lay on top



General External Dimensions	
W	Width
D	Depth
H	Height
Usable Inner Dimensions	
Wi	Inside Width
Di	Inside Depth
Hi	Inside Height
Wood Inner Dimensions	
WWi	Wood Inside Width
WDi	Wood Inside Depth
WHi	Wood Inside Height

Name	Date
Drawn by	CatarinaDuque 07-01-2019
Reference	MIXER.458RTU
Scale	1:21
units in mm	general tolerance 0.8mm
DO NOT SCALE	
FLIGHT CASE RTU	
ALLEN & HEATH D-LIVE S7000	



A3 This drawing must not be copied or disclosed without consent of the owner

1st Angle projection