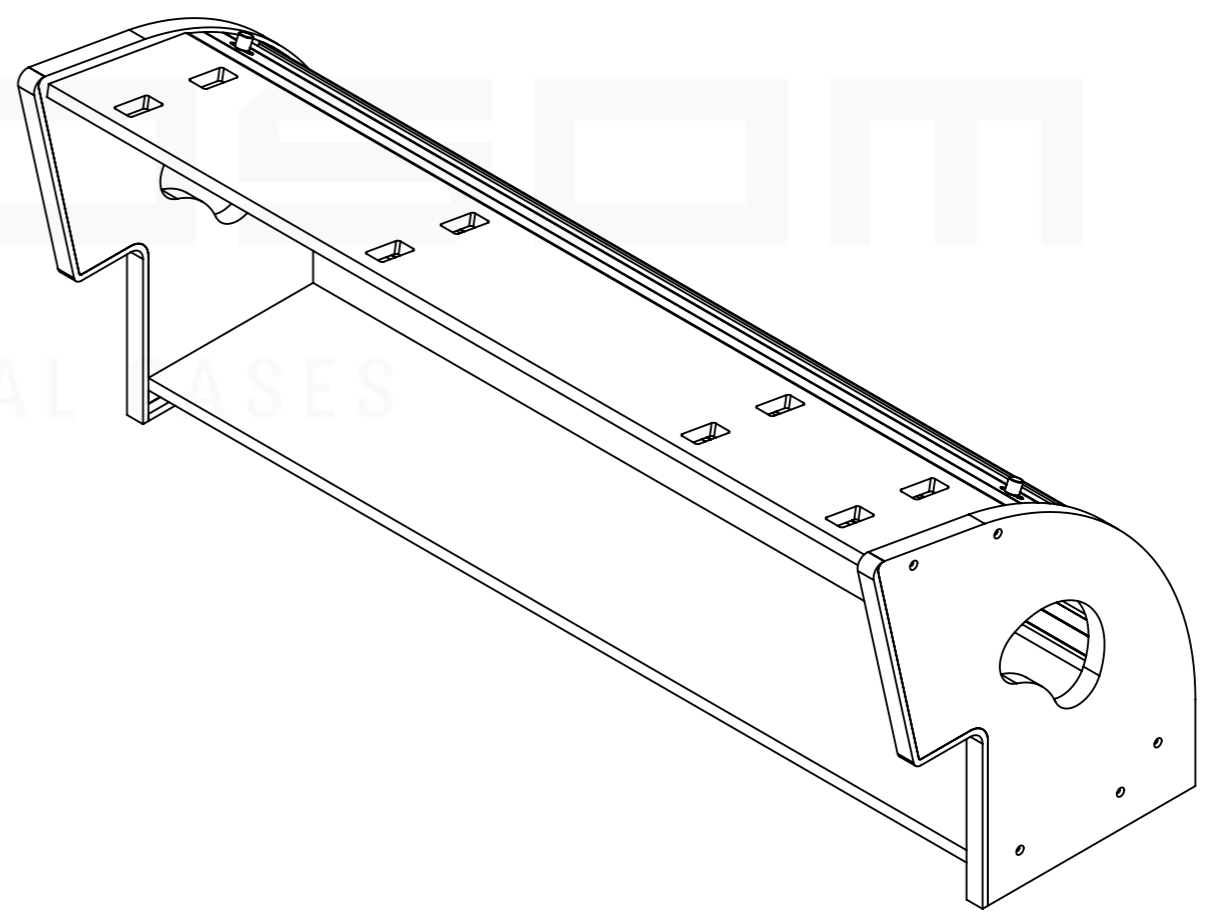
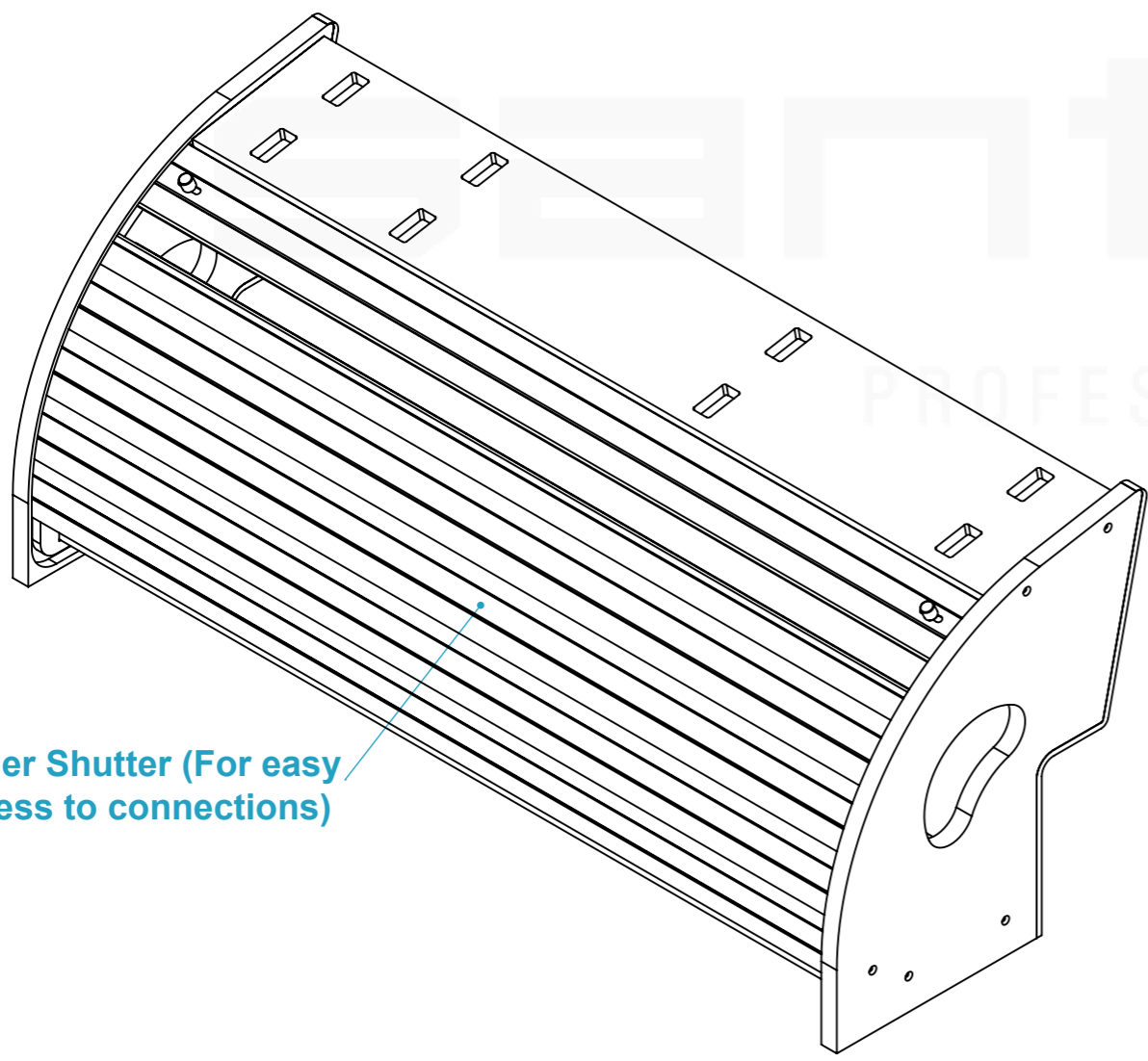
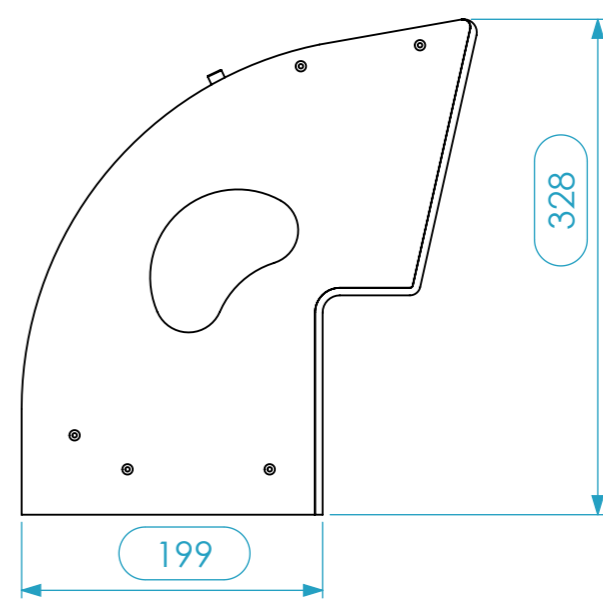
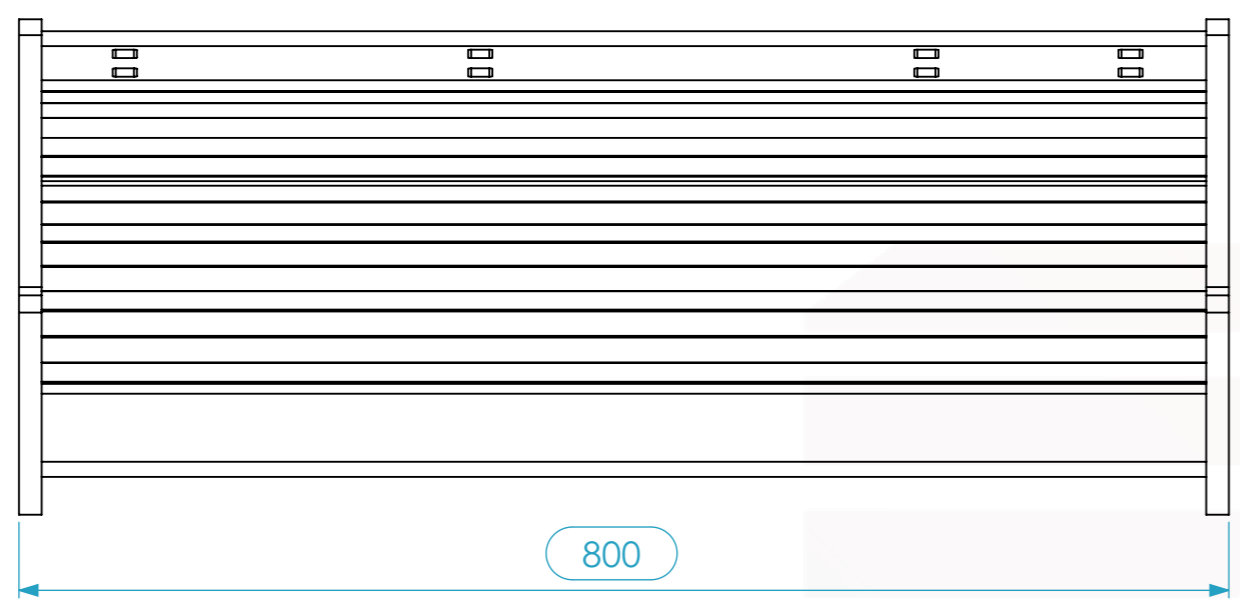


Internal Dimensions		
Width	Depth	Height
800	200	351
Weight	Approx. 4 Kg	
Wall Thickness		10mm



Drawn by	Name	Date
CarlaSilva	CarlaSilva	19/09/2018
Reference	MIXER.456.A00	
Scale	units in mm	general tolerance
1:5	DO NOT SCALE	0.8mm
MÓVEL PARA FC. SOUNDCRAFT V11000		



This drawing must not be copied or disclosed without consent of the owner



A3