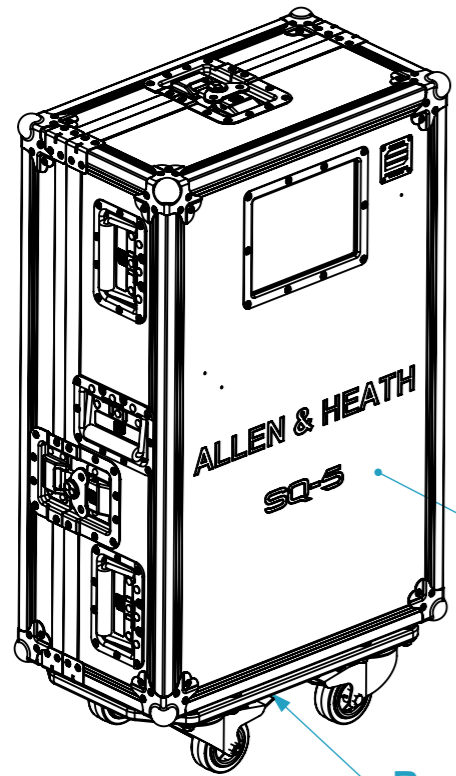


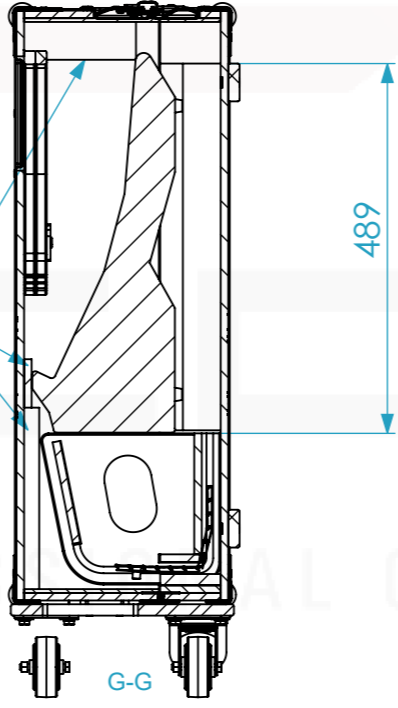
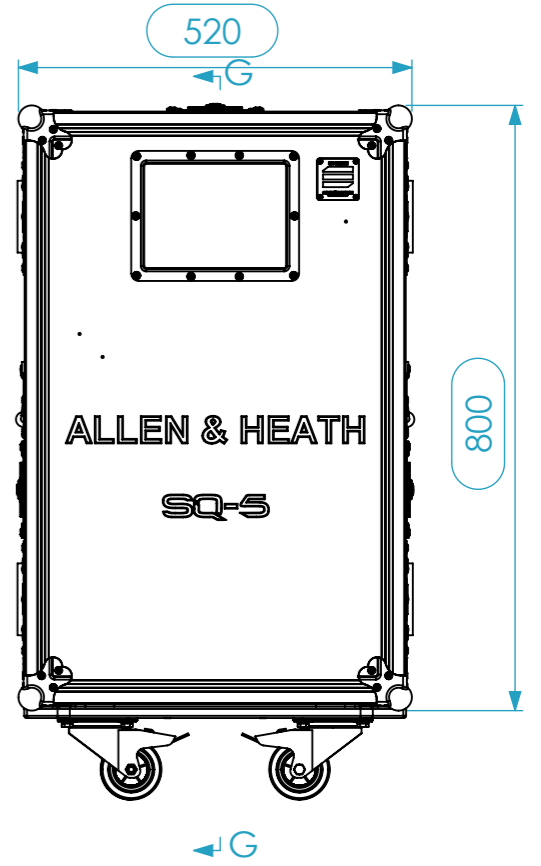
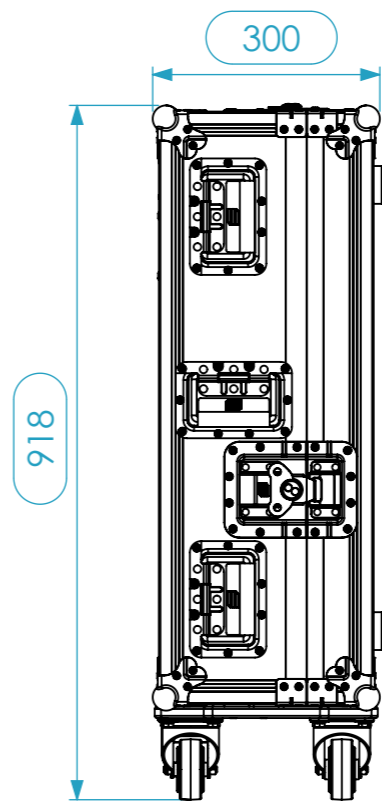
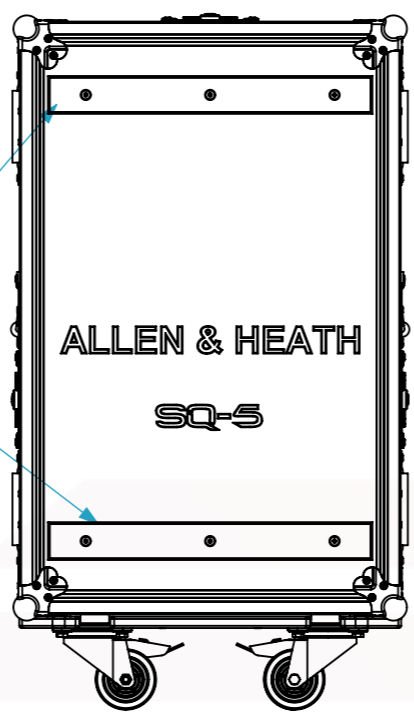
Equipment			ALLEN & HEATH SQ-5		
Width	Depth	Height			
440	514	198			
Weight	Approx.30 Kg				
Wall Thickness	10mm				



Flight Case
REF: X12B.0523080

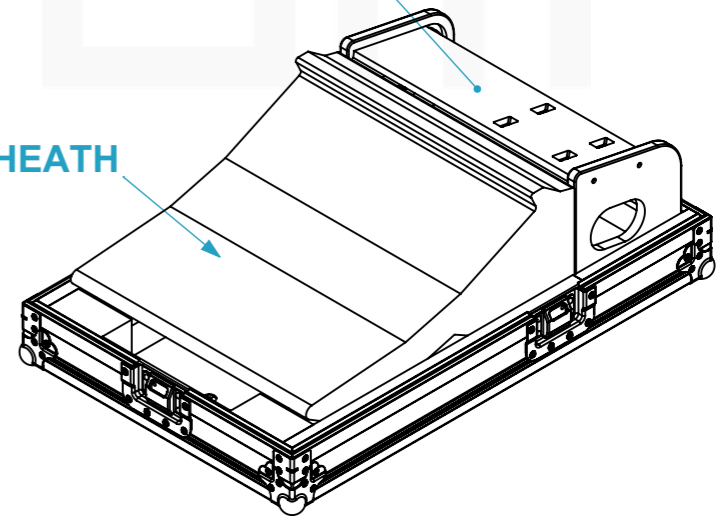
Removable Skate
REF: R4.05230

Plastic Feet



HD Foam inserts

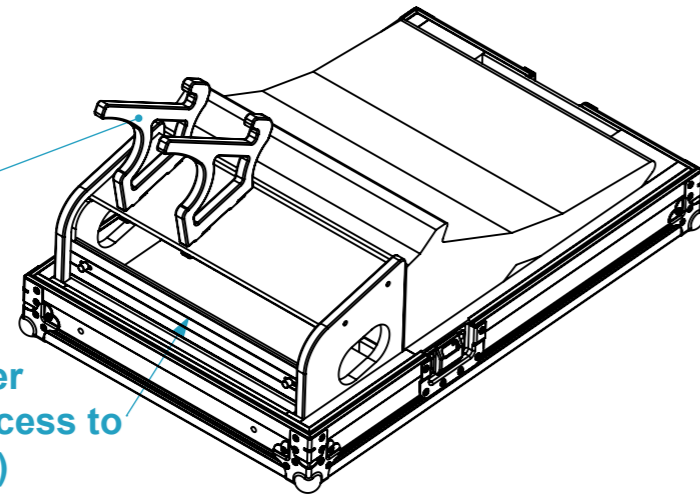
Compartment
REF: MIXER.455.A00



ALLEN & HEATH SQ-5

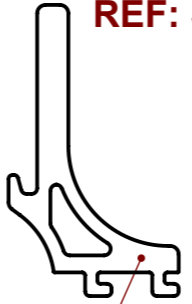
NOTE:
All optional accessories are not included in the flight case and must be ordered separately

REF: SUPORTE.1025

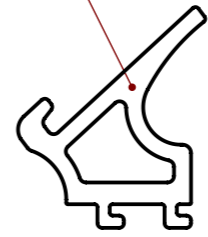


Roller Shutter
(For easy access to connections)

Optional Laptop Supports
REF: SUPORTE.1025



Optional Tablet Supports
REF: SUPORTE.1026

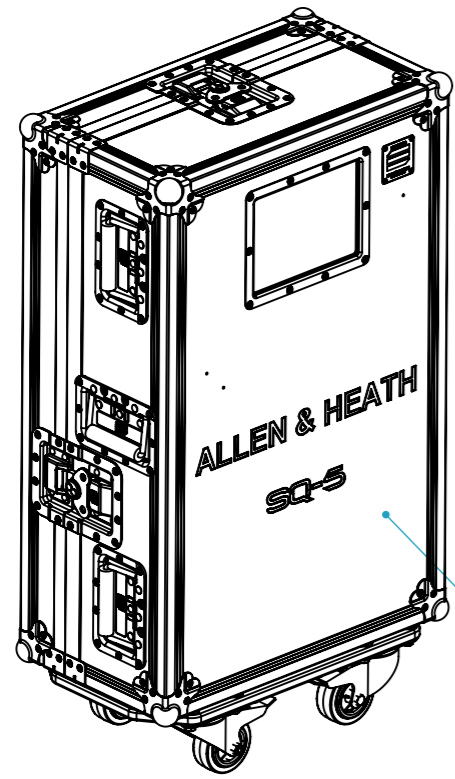


This drawing must not be copied or disclosed without consent of the owner

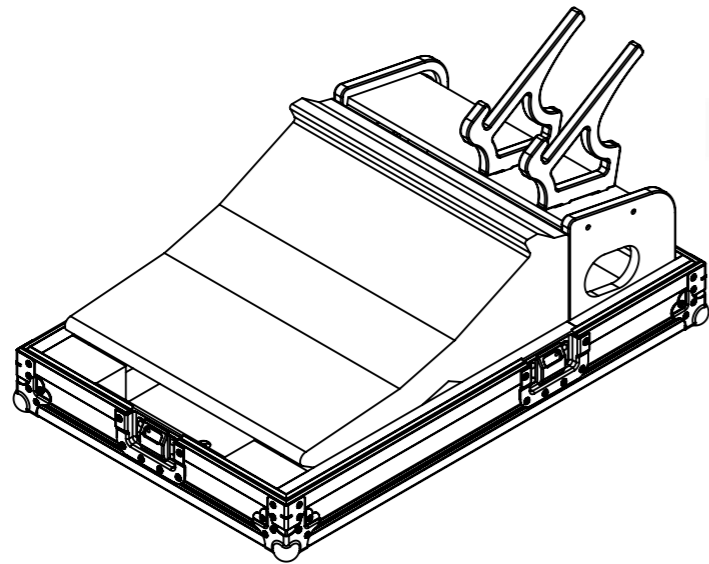
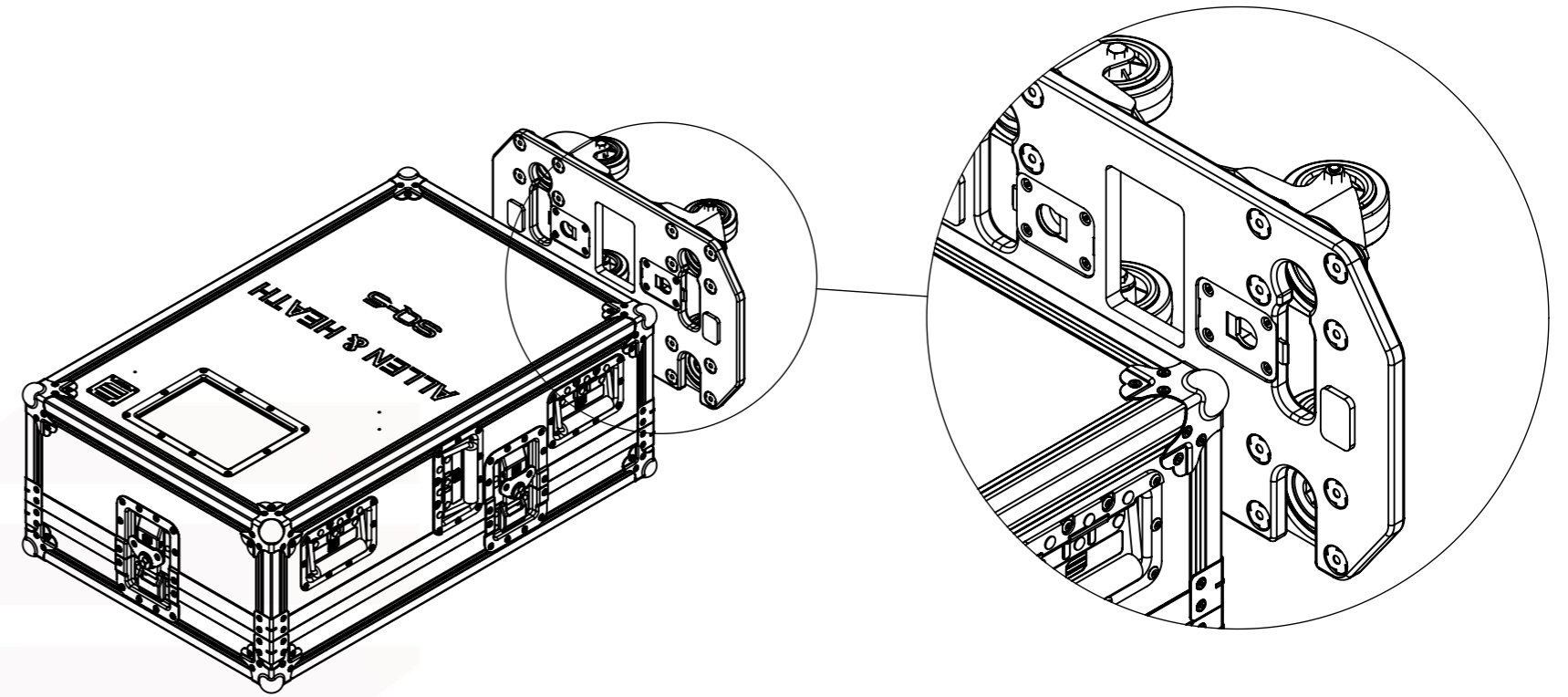
Drawn by	Name	Date
CarlaSilva	CarlaSilva	12/07/2019
Reference	MIXER.455PRO	
Scale	units in mm	general tolerance
1:10	DO NOT SCALE	0.8mm
1st Angle projection	FC. ALLEN & HEATH SQ-5, MÓVEL	



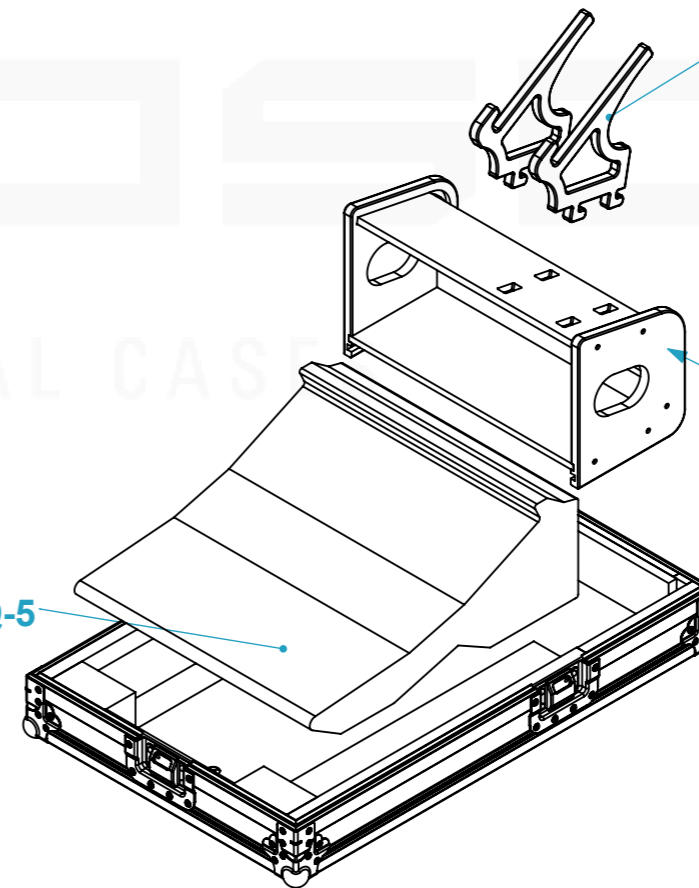
CONFIGURATIONS



Flight Case
REF: X12B.0523080



ALLEN & HEATH SQ-5



REF: SUPORTE.1025

Compartment
REF: MIXER.455.A00

Drawn by	Name	Date
CarlaSilva	CarlaSilva	12/07/2019
Reference	MIXER.455PRO	
Scale	units in mm	general tolerance
1:10	DO NOT SCALE	0.8mm
1st Angle projection	FC. ALLEN & HEATH SQ-5, MÓVEL	

This drawing must not be copied or disclosed without consent of the owner

A3

