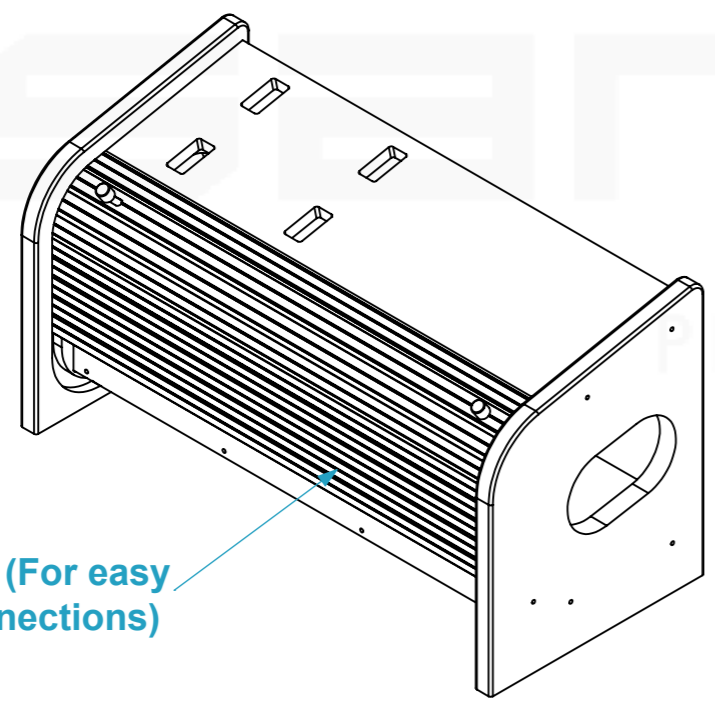
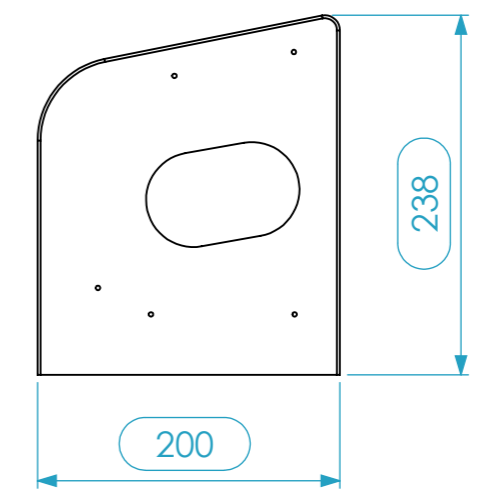
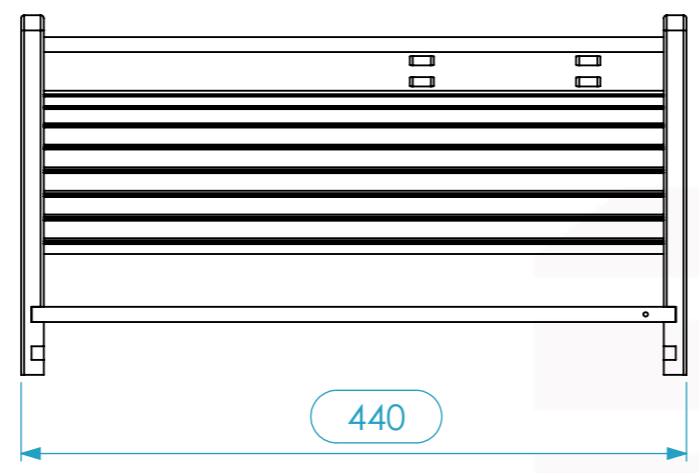
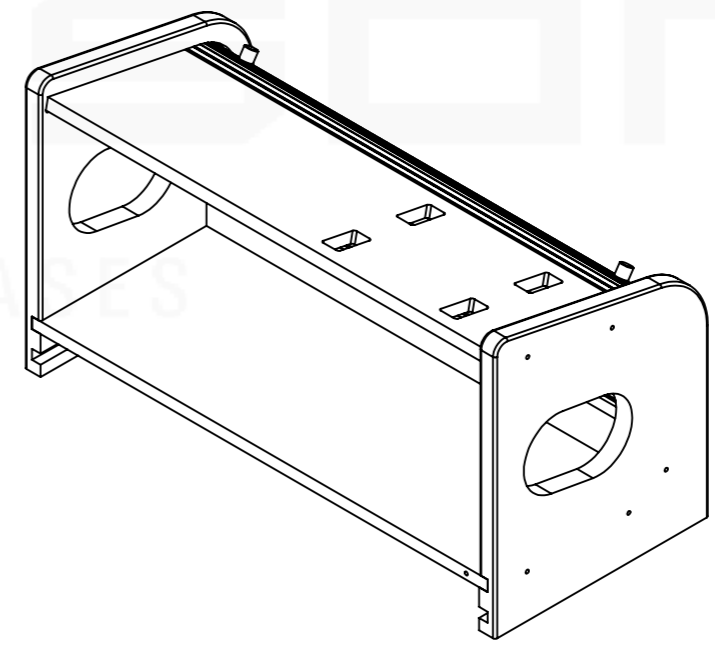


Internal Dimensions		
Width	Depth	Height
440	200	240
Weight	Approx. 2 Kg	
Wall Thickness		10mm



Roller Shutter (For easy access to connections)



Drawn by	Name	Date
jose.couto	jose.couto	05/05/2025
Reference	MIXER.455.A00	
Scale	units in mm	general tolerance
1:5	DO NOT SCALE	0.8mm
1st Angle projection	MÓVEL PARA FC, ALLEN & HEAT SQ-5	



This drawing must not be copied or disclosed without consent of the owner

A3