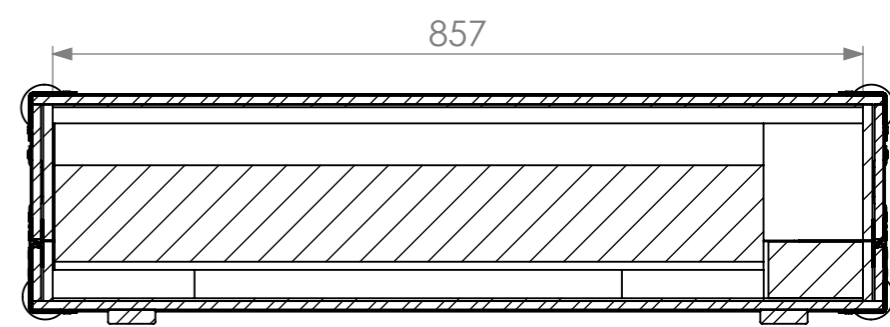
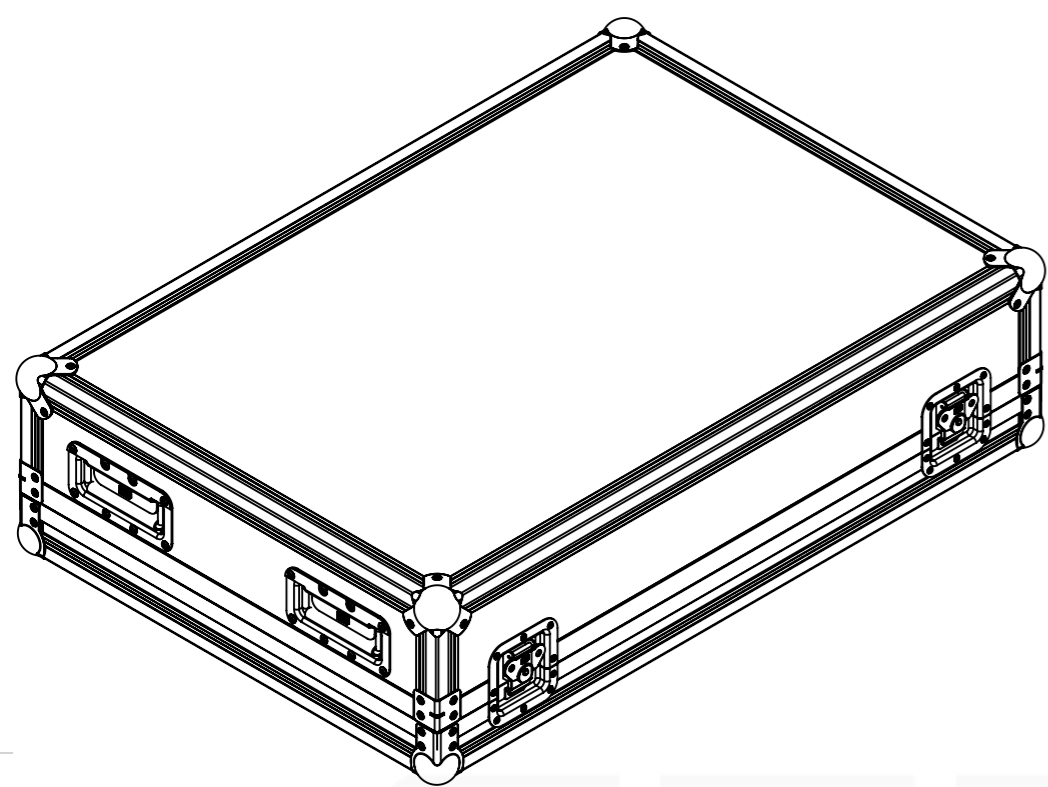
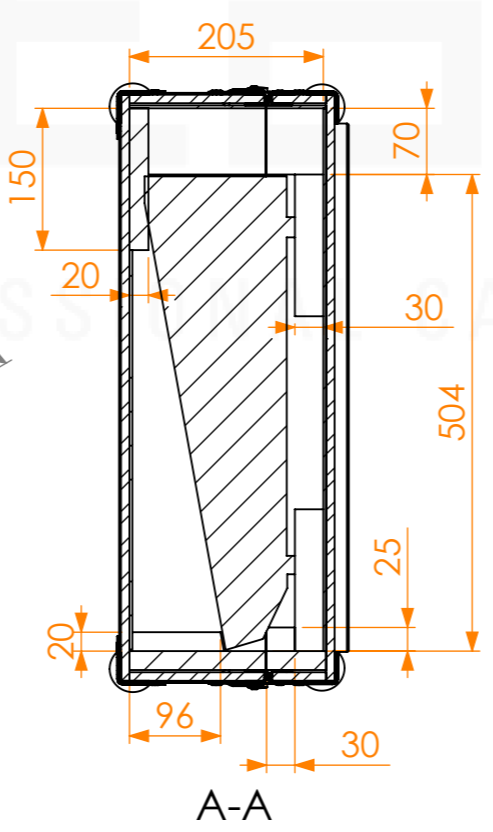
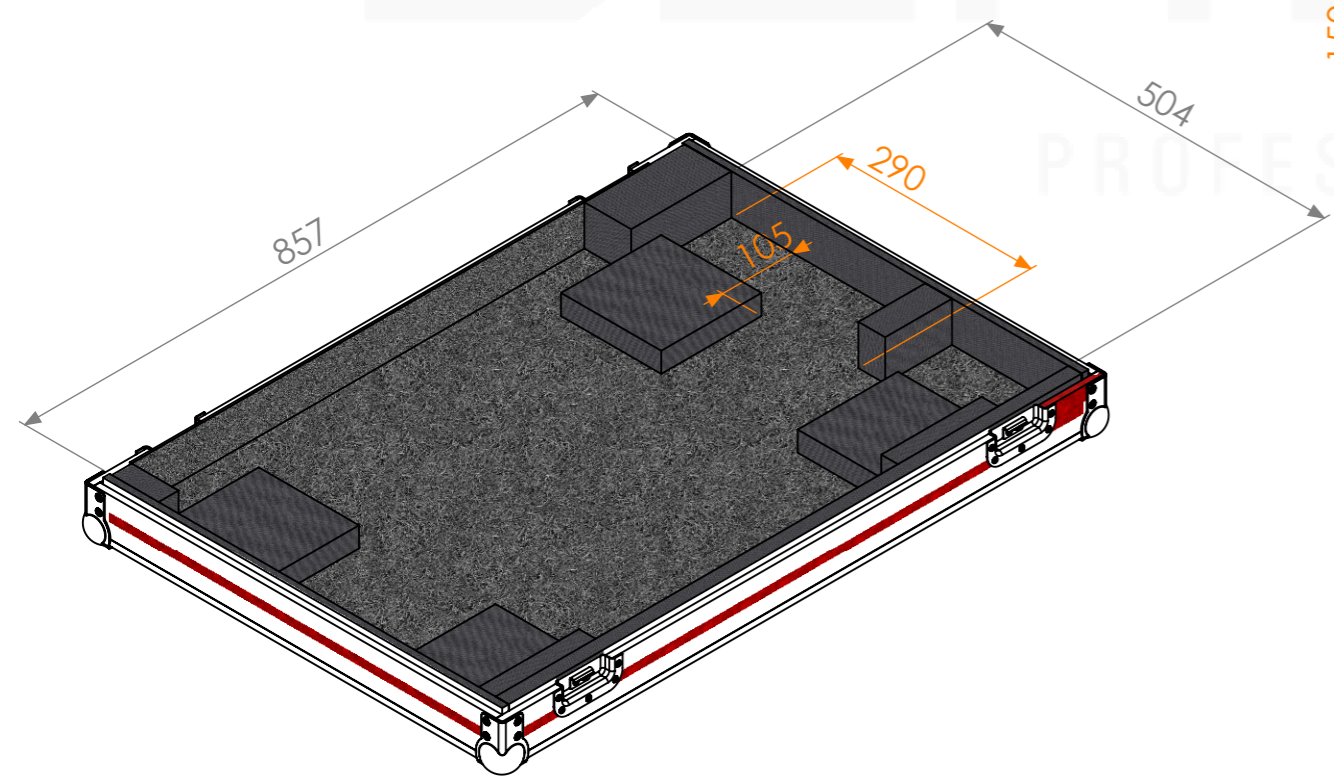
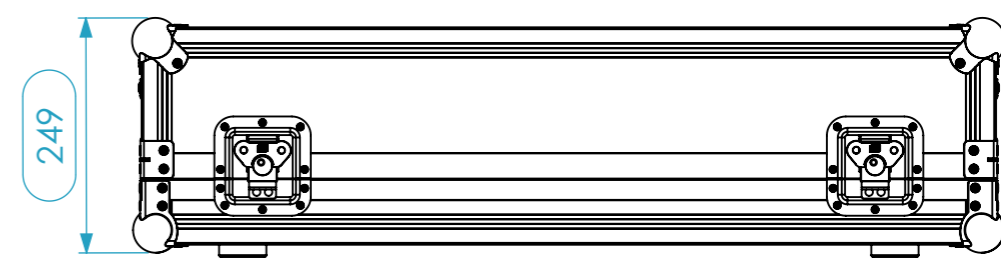
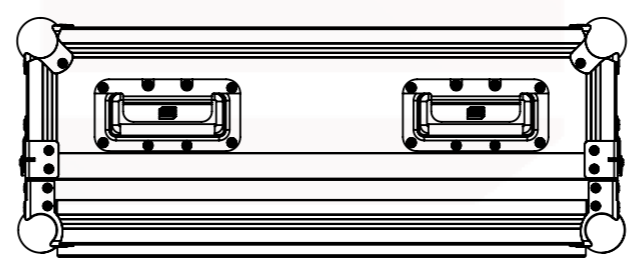


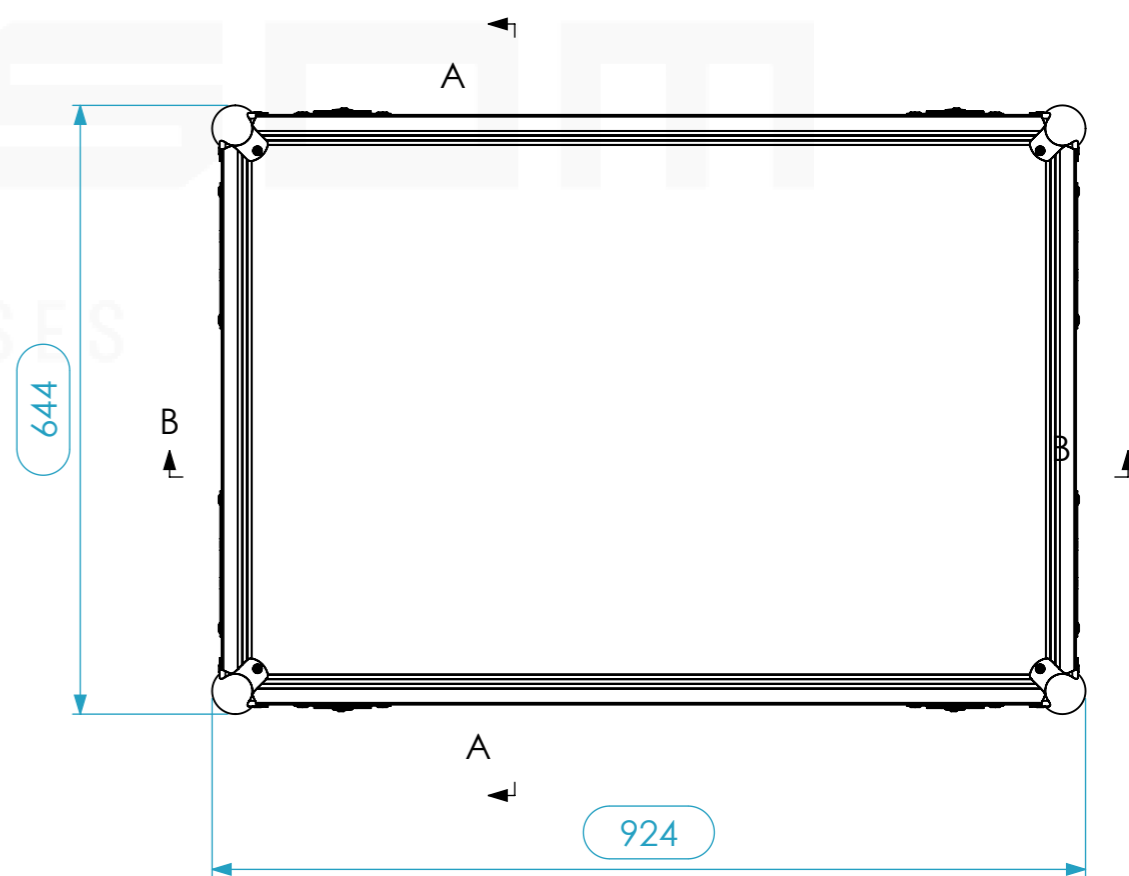
Internal Dimensions		
Width	Depth	Height
840	560	148
Weight	Approx. 11 Kg	
Wall Thickness	9mm	



SECTION B-B



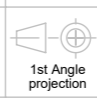
A-A



Drawn by	Name	Date
CarlaSilva	CarlaSilva	17/05/2018
Reference	MIXER.446EC	
Scale	units in mm	general tolerance
1:8	DO NOT SCALE	0.8mm
FC, ECO - Si Impact + Compart. SI EXPRESSION 2		



This drawing must not be copied or disclosed without consent of the owner



A3