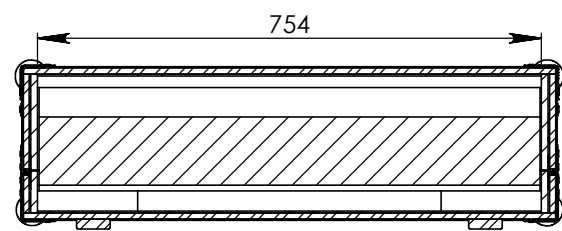
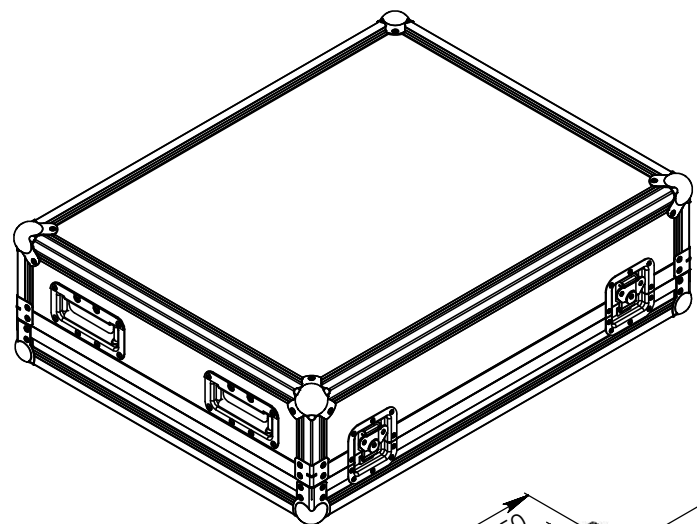


### Interior dimensions

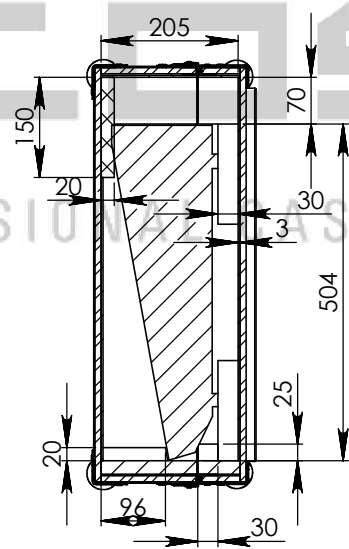
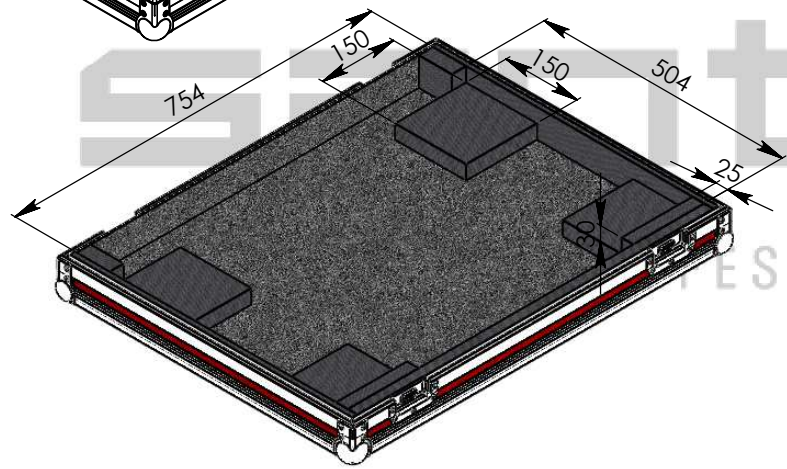
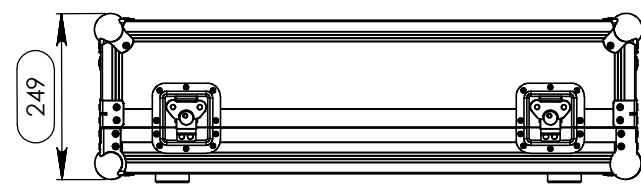
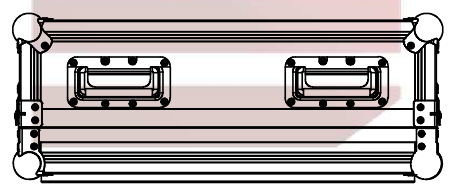
Width	Depth	Height
754	504	205
Weight	Approx. 15 Kg	
Wall Thickness		9mm

### REVISIONS

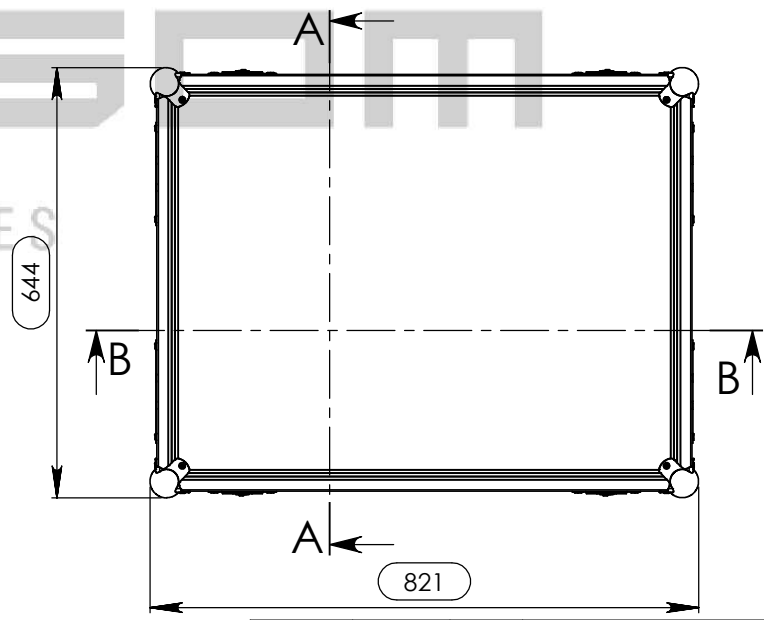
ZONE	REV.	DESCRIPTION	DATE	APPROVED
-	0	Final Drawing	25/01/2016	Carlos Rodrigues



SECTION B-B



SECTION A-A



Hardware		
Qty	Description	Ref.
4	COMBINED BALL CORNER AND BRACE 68MM HIGH	41201
4	Large corner bracket f. 35mm case angle	40403
4	Key lockable medium Butterfly special	17290S
4	Heavy duty ball corner, zinc plated	4120
4	Recessed sprung handle - Small	340822

This drawing must not be copied or disclosed without consent of the owner

Scale: 1:8  
 Reference: MIXER.446E  
 FC, ECO - SI Impact

