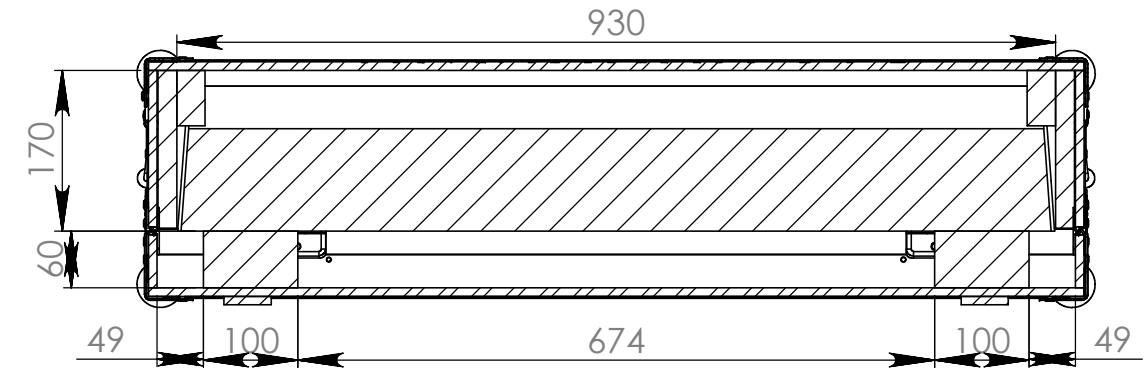
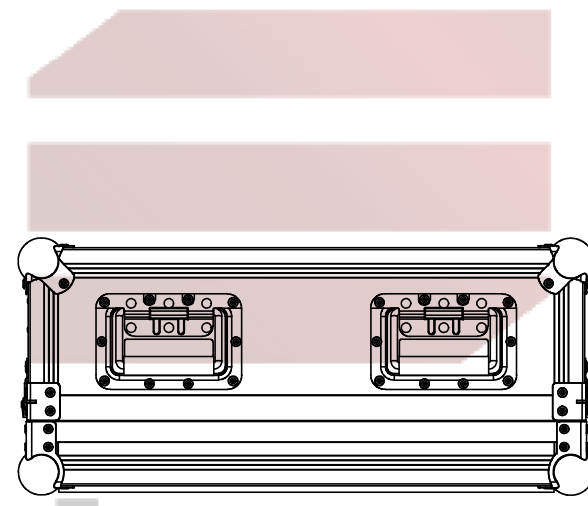
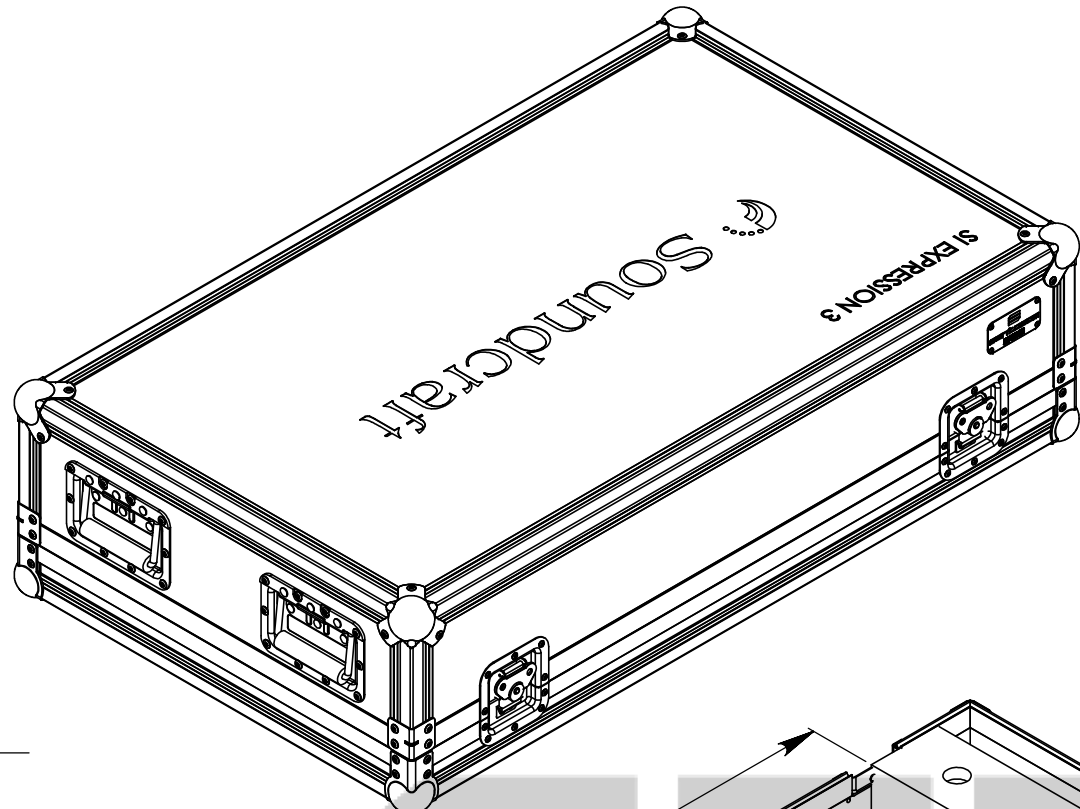
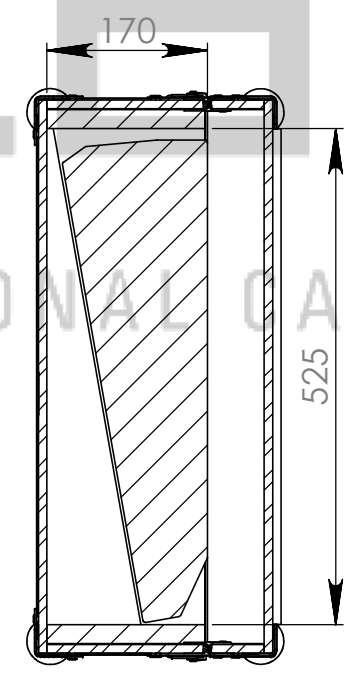
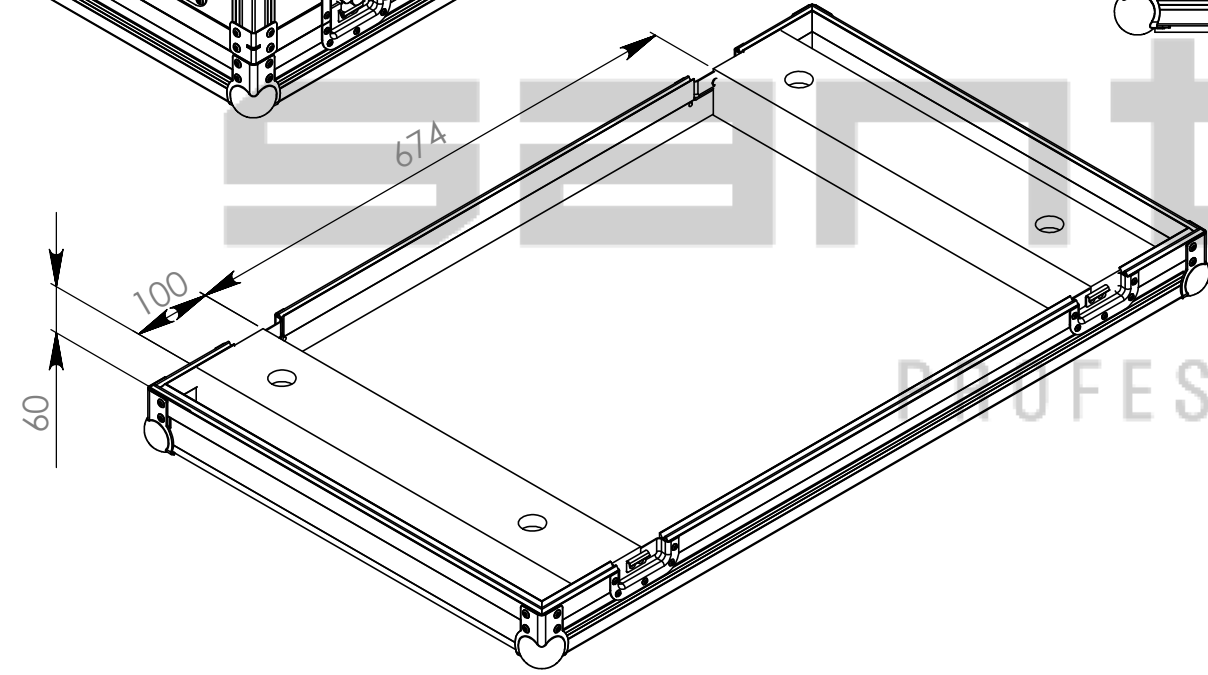
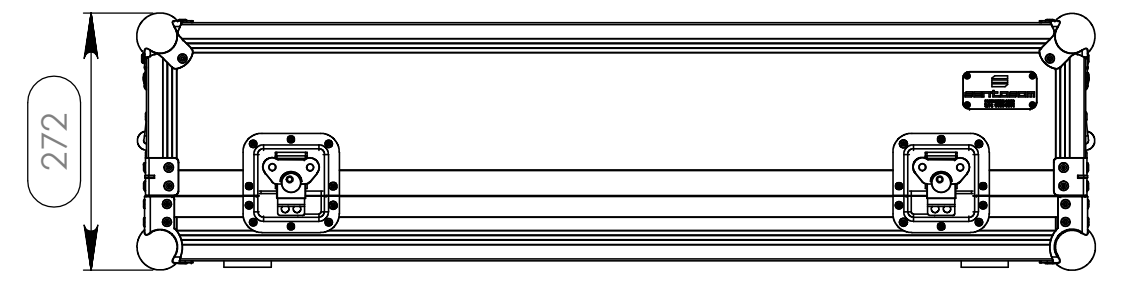


Interior dimensions		
Width	Depth	Height
930	525	170
Weight	Approx. 19 Kg	
Wall Thickness	9mm	

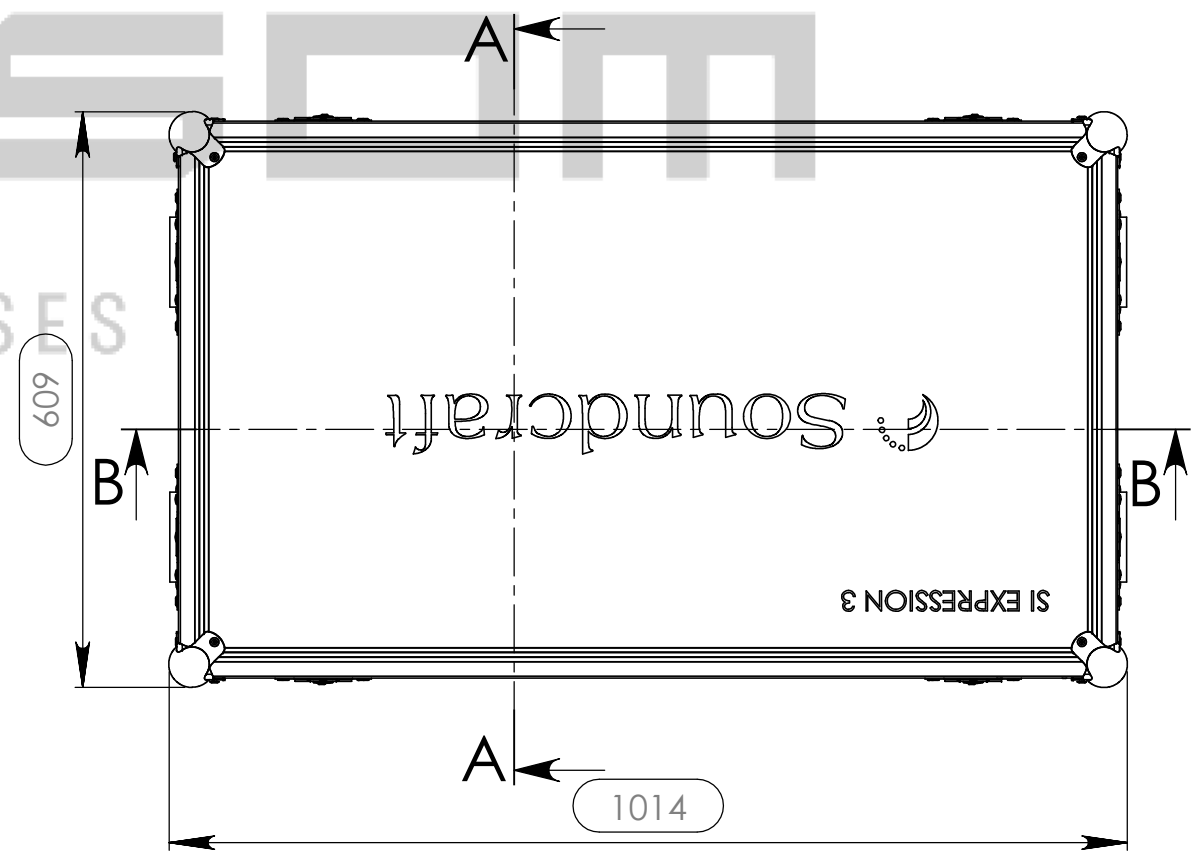
REVISIONS				
ZONE	REV.	DESCRIPTION	DATE	APPROVED
-	0	Final Drawing	20/05/2013	Daniel Lopes



SECTION B-B



SECTION A-A



Hardware		
Qty	Description	Ref.
4	COMBINED BALL CORNER AND BRACE 68MM HIGH	41201
4	Large corner bracket f. 35mm case angle	40403
4	Medium ball corner zinc plated	4120
4	Recessed sprung handle medium model	34082
4	Key lockable medium Butterfly special	17290S

Drawn by	Daniel Lopes	Date	21-10-2013
Reference	MIXER.429E		
Scale	1:8	units in mm	general tolerance 0.8mm
1st Angle projection		FC. ECO - SOUNDCRAFT SI EXPRESSION 3	

This drawing must not be copied or disclosed without consent of the owner

santosom
PROFESSIONAL CASES