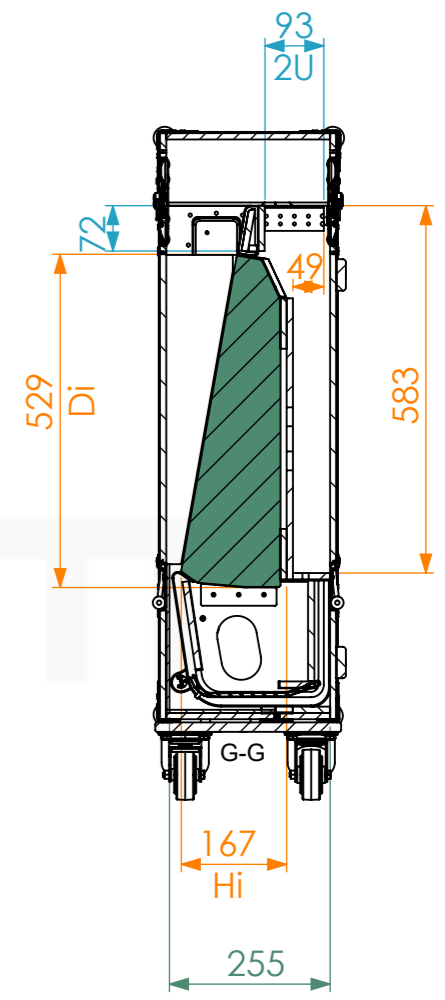
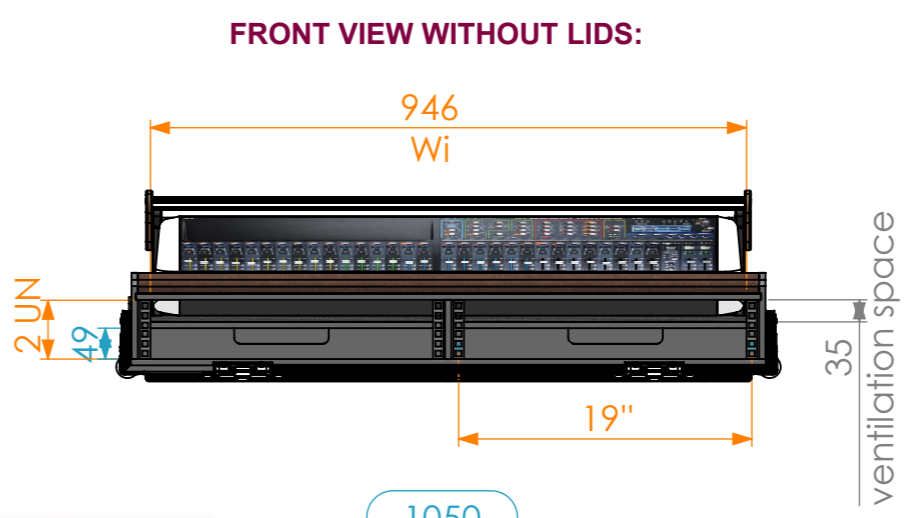
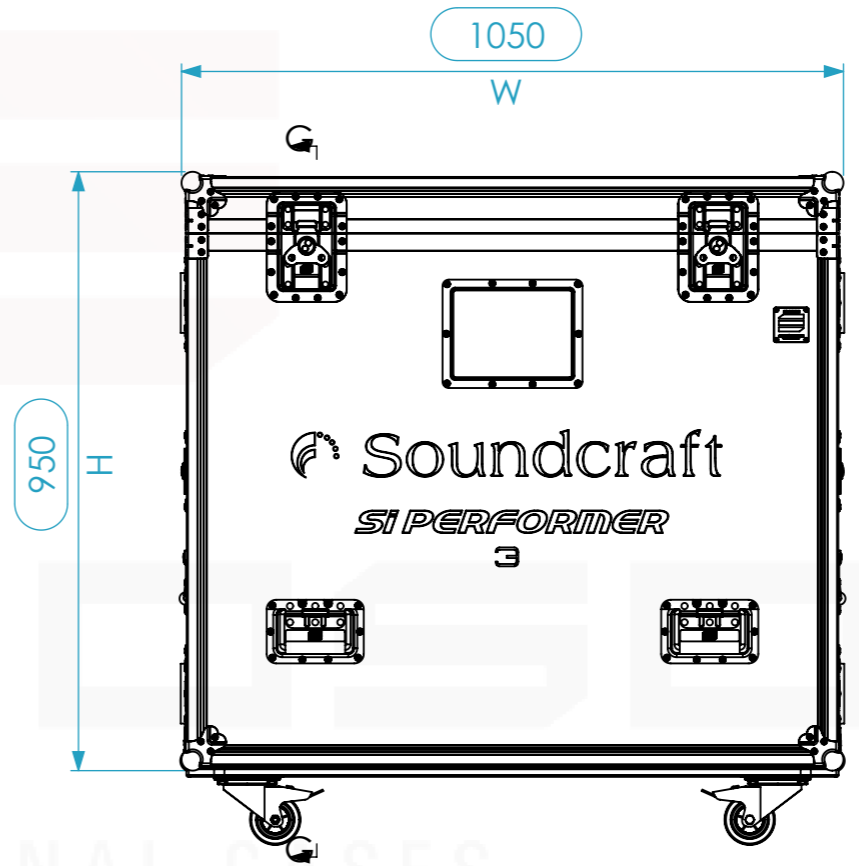
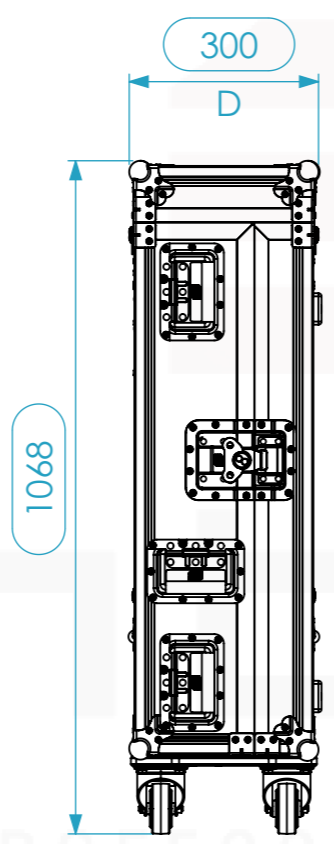
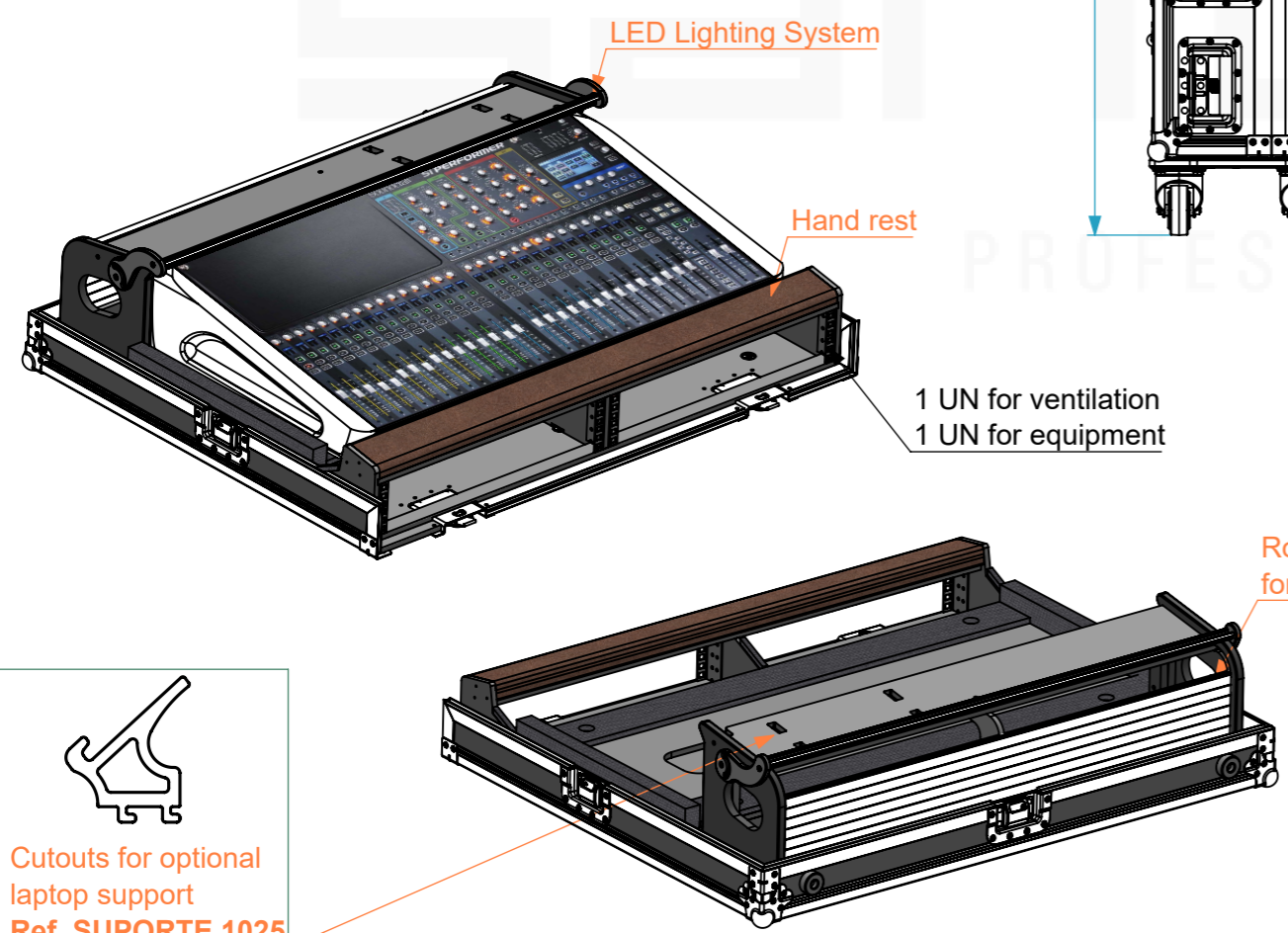
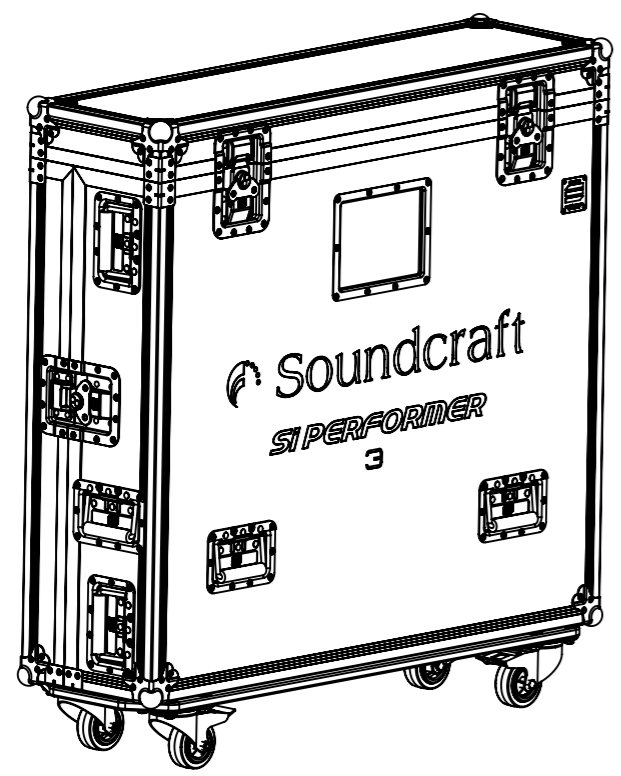


Equipment	Soundcraft SI Performer 3	
Width	Depth	Height
939	536	167
Weight	Approx. 51.01 Kg	
Wall Thickness	10mm	



General External Dimensions	
W	Width
D	Depth
H	Height
Usable Inner Dimensions	
Wi	Inside Width
Di	Inside Depth
Hi	Inside Height
Wood Inner Dimensions	
WWi	Wood Inside Width
WDi	Wood Inside Depth
WHi	Wood Inside Height

Cutouts for optional laptop support
Ref. SUPORTE.1025

This drawing must not be copied or disclosed without consent of the owner

Name	Date
Drawn by	CatarinaDuque 30-10-2018
Reference	MIXER.426PRO19
Scale	1:12
units in mm	general tolerance 0.8mm
DO NOT SCALE	
FLIGHT CASE PRO-19 SOUNDRAFT SI PERFORMER 3	

