

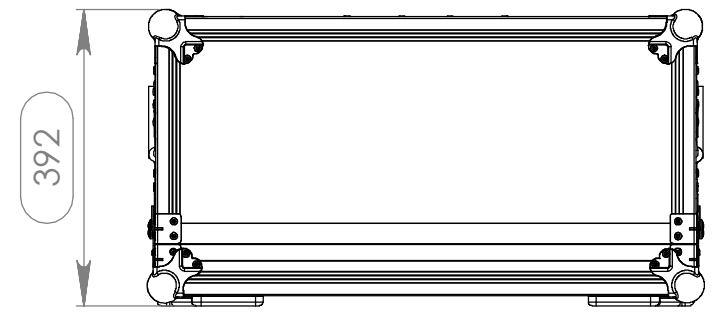
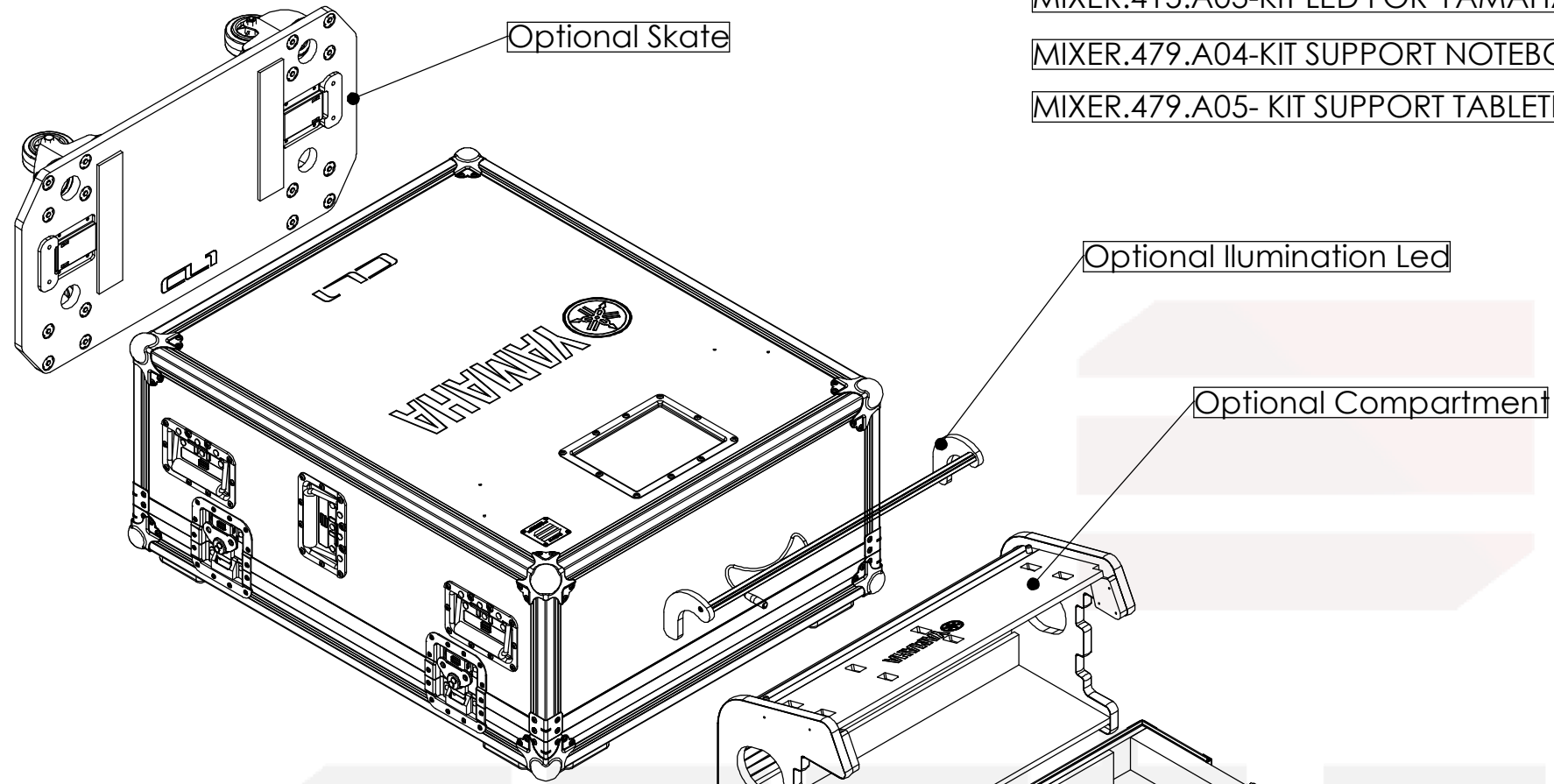
Exterior dimensions

Width	Depth	Height
733	900	392
Weight	Approx. 46 Kg	
Wall Thickness	10mm	

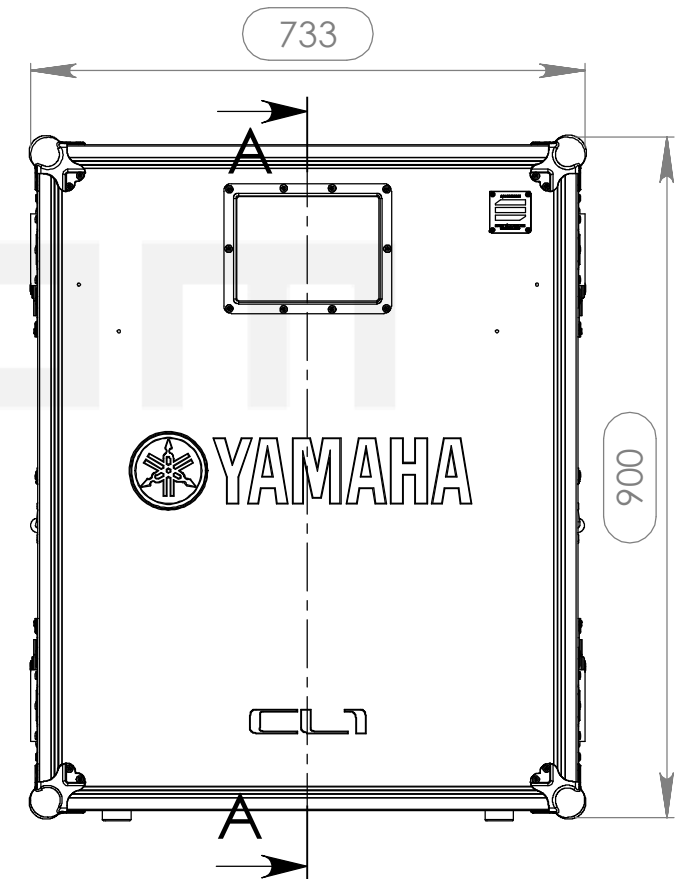
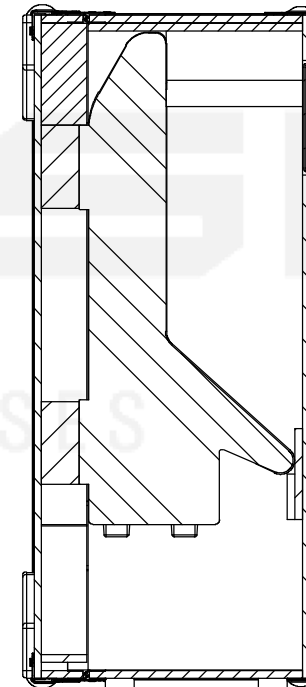
OPTIONAL ACCESSORIES NOT INCLUDED

- MIXER.415.A01-SKATE FOR YAMAHA CL1
- MIXER.415.A02-COMPARTMENT FOR YAMAHA CL1
- MIXER.415.A03-KIT LED FOR YAMAHA CL1
- MIXER.479.A04-KIT SUPPORT NOTEBOOK
- MIXER.479.A05- KIT SUPPORT TABLET

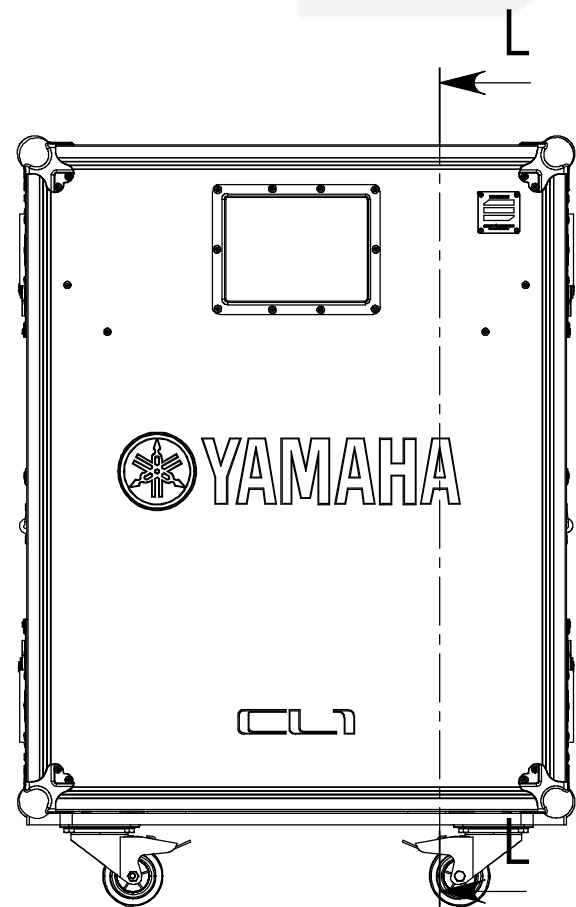
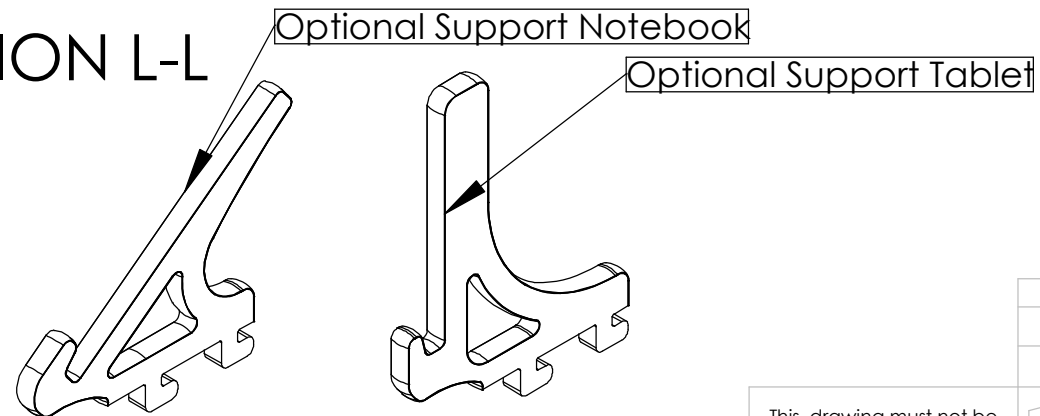
Hardware		
Qty	Ref.	Description
8	410429	Heavy Duty Ball Corner
8	40403	Large corner bracket f. 35mm case angle
1	88001D	Dish for 88001 Tour Label
6	34082	Recessed sprung handle medium model
4	172531	Large butterfly V3 with 'push-back' function



SECTION A-A



SECTION L-L



Drawn by	Name	Date
Telmo Santos	Telmo Santos	08/04/2015
Reference	MIXER.479	
Scale	units in mm	general tolerance
1:10	DO NOT SCALE	0.8mm
1st Angle projection	FC. Midas M32 Digital Mixer, móvil	



This drawing must not be copied or disclosed without consent of the owner

A3