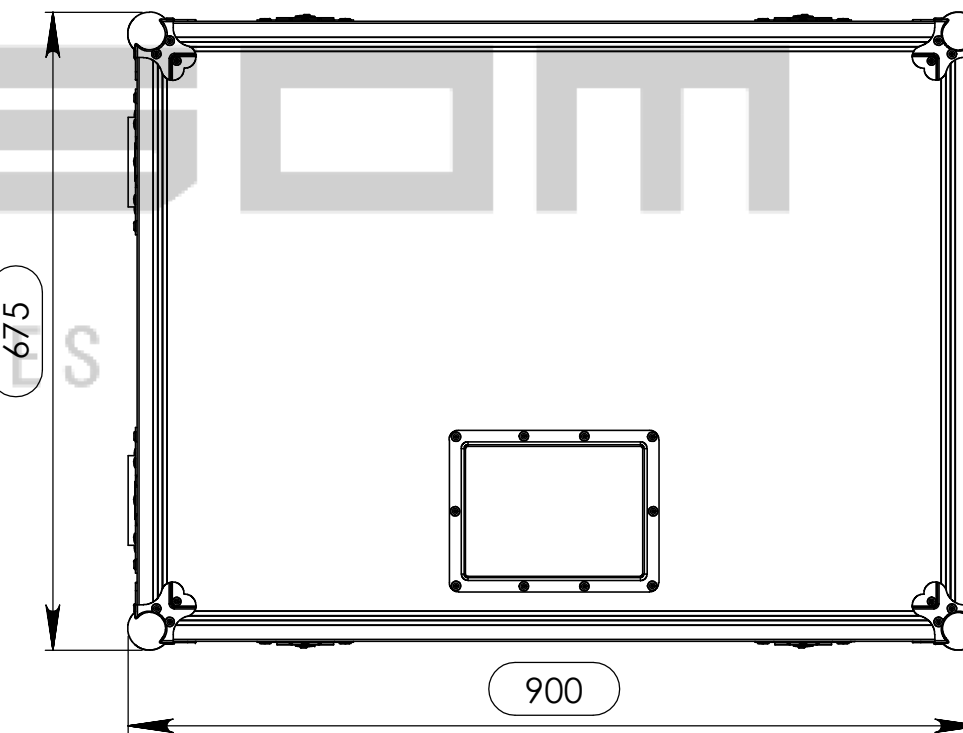
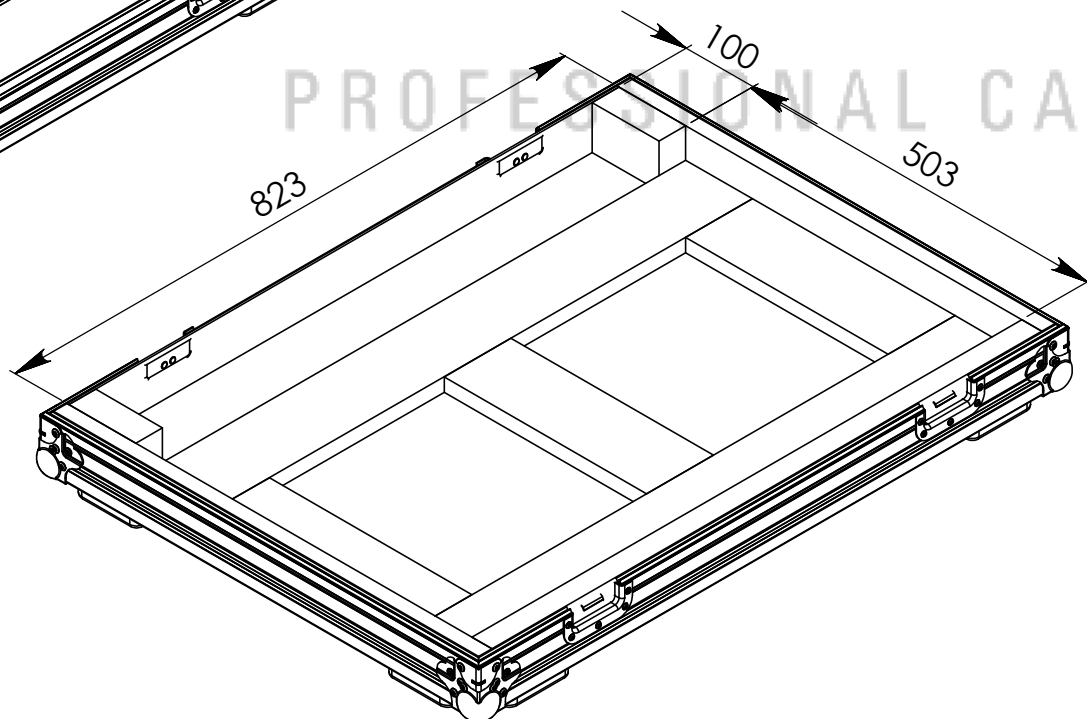
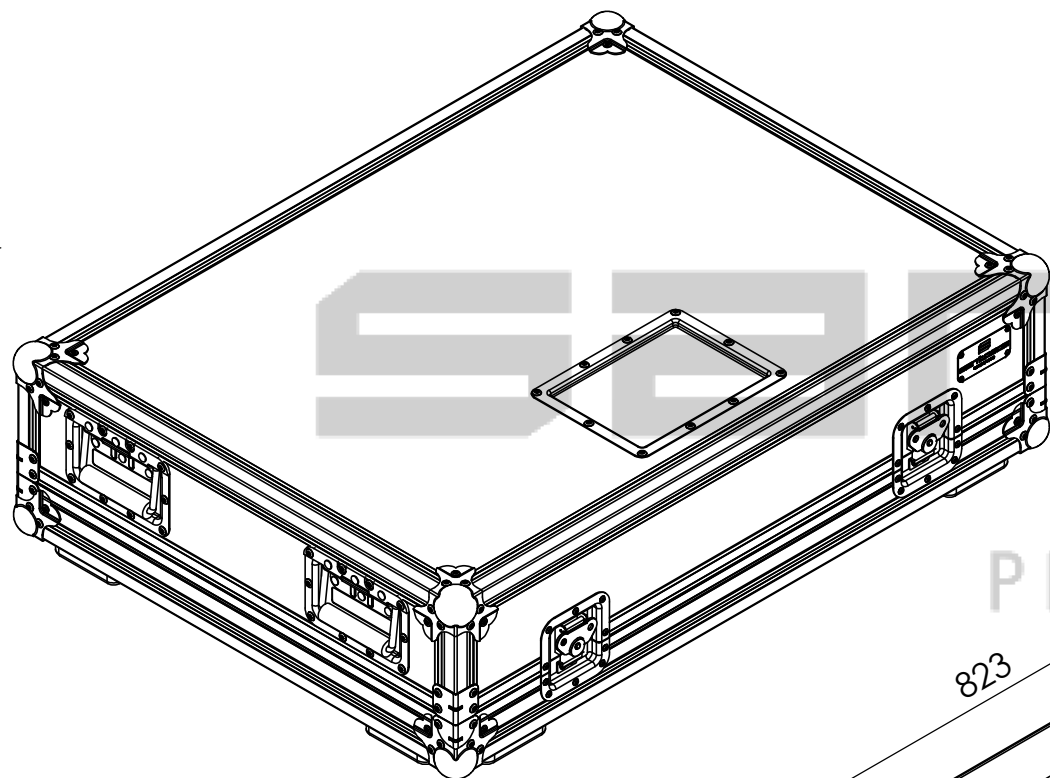
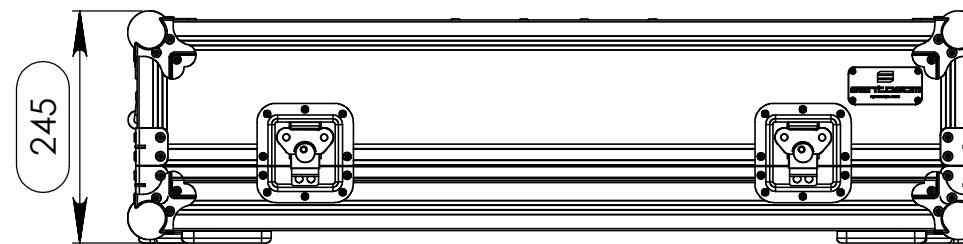
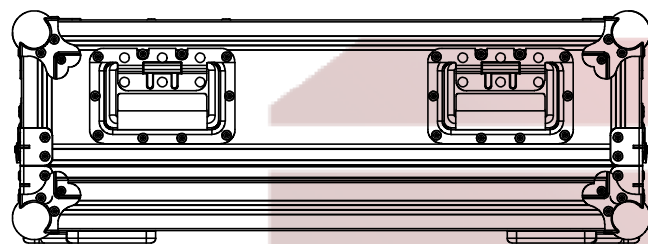


| Interior dimensions |               |        |
|---------------------|---------------|--------|
| Width               | Depth         | Height |
| 823                 | 503           | 155    |
| Weight              | Approx. 17 Kg |        |
| Wall Thickness      |               | 7mm    |



|                         |              |                   |
|-------------------------|--------------|-------------------|
| Drawn by                | Name         | Date              |
| DanielLopes             | DanielLopes  | 23-04-2012        |
| Reference               | MIXER.392    |                   |
| Scale                   | units in mm  | general tolerance |
| 1:8                     | DO NOT SCALE | 0.8mm             |
| FC, Dynacord CMS 2200-3 |              |                   |

This drawing must not be copied or disclosed without consent of the owner

