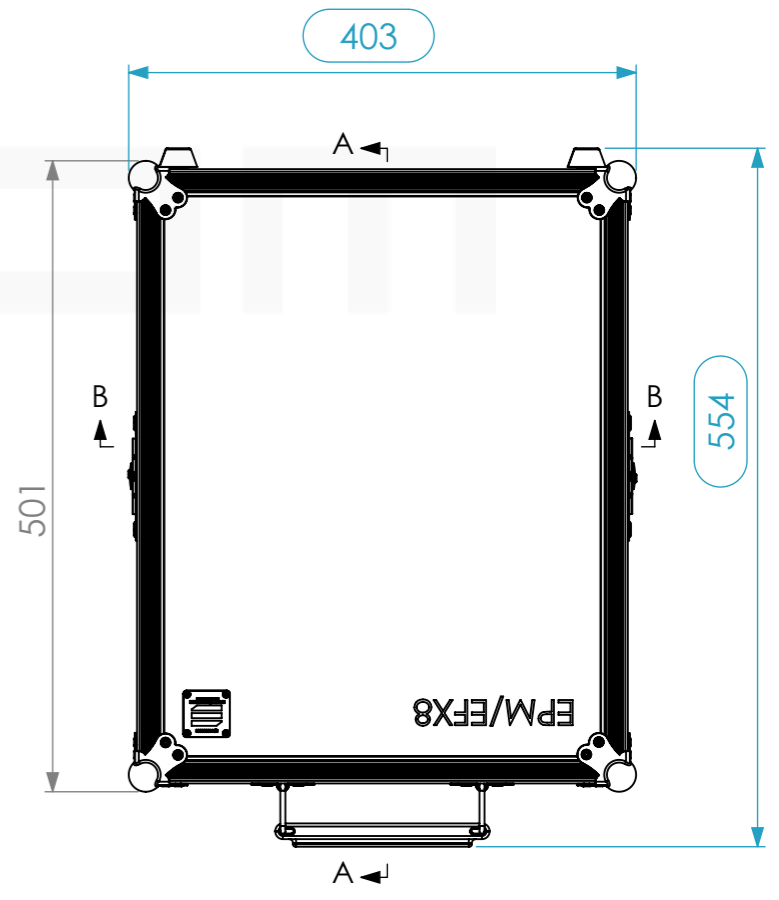
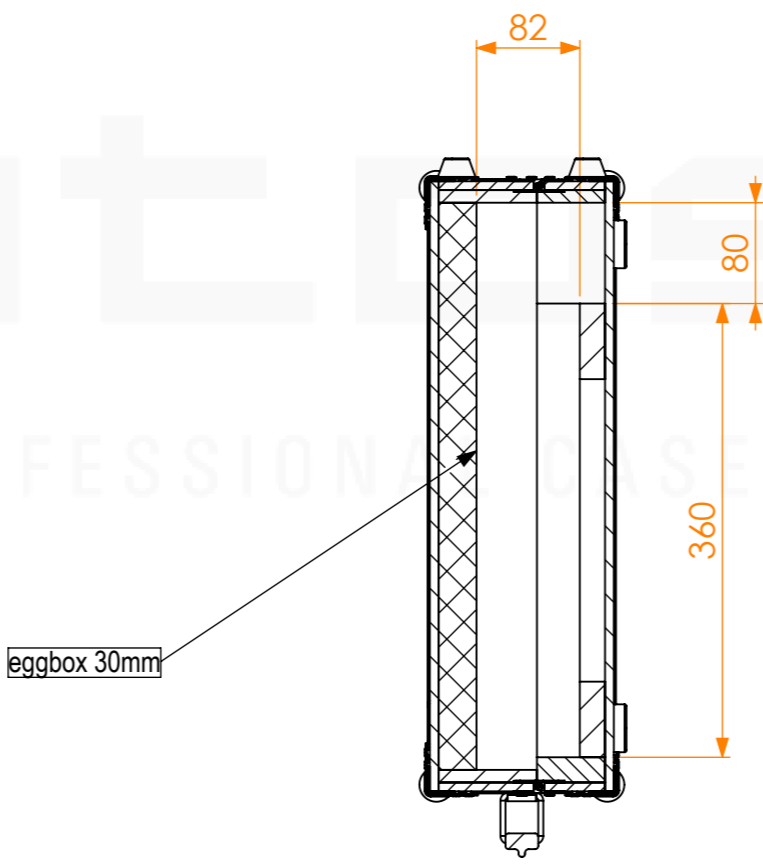
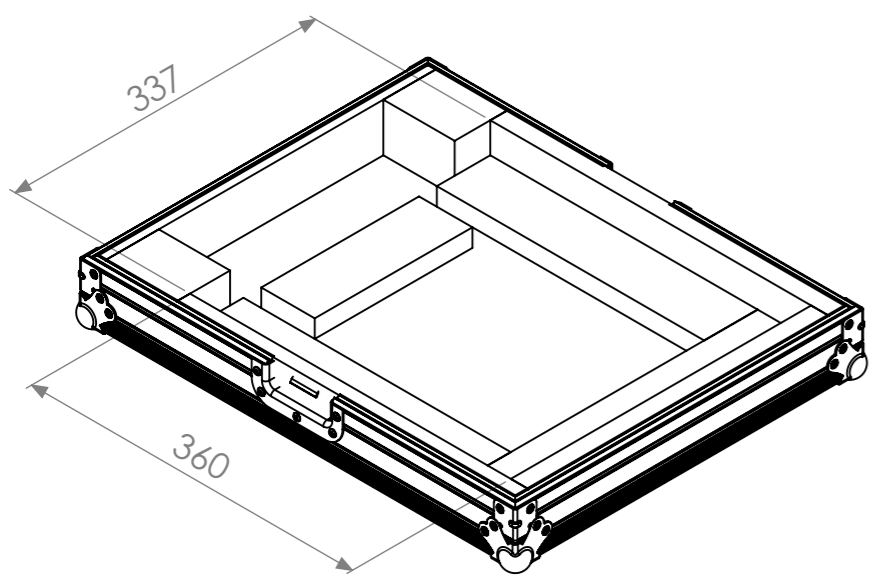
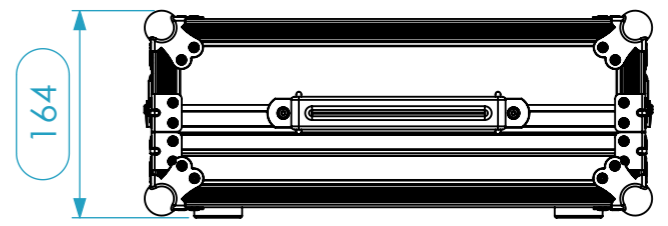
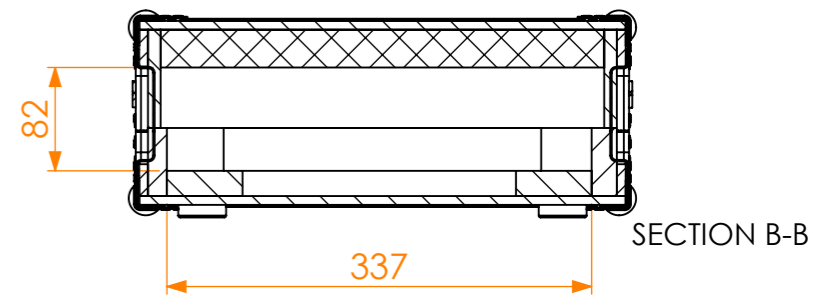
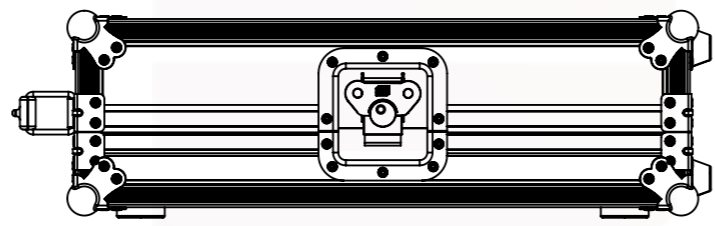
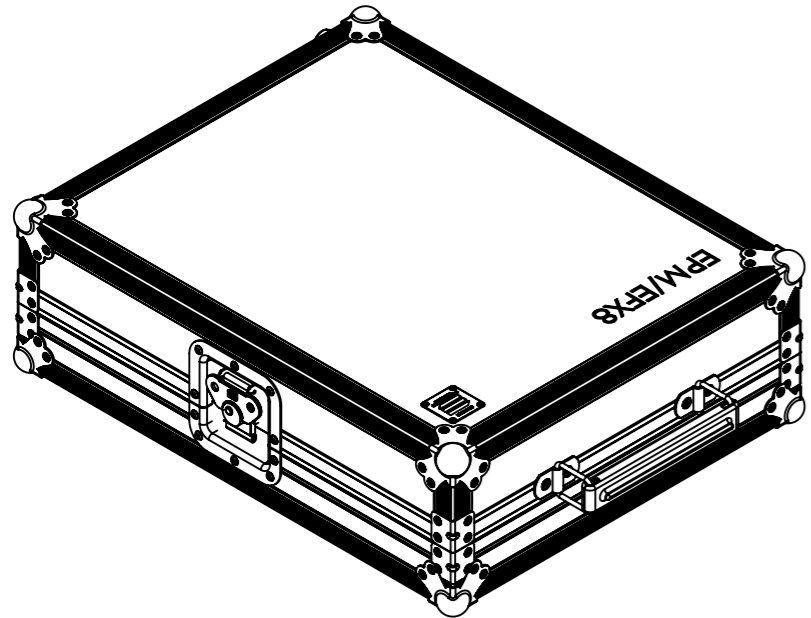


Internal Dimensions		
Width	Depth	Height
332	440	82
Weight	Approx. 3 Kg	
Wall Thickness		7mm



SECTION A-A

Drawn by	Name	Date
CarlaSilva	CarlaSilva	20/02/2018
Reference	MIXER.279	
Scale	units in mm	general tolerance
1:6	DO NOT SCALE	0.8mm
1st Angle projection	FC_SOUNDCRAFT EPM8 / EFX8	



This drawing must not be copied or disclosed without consent of the owner

A3