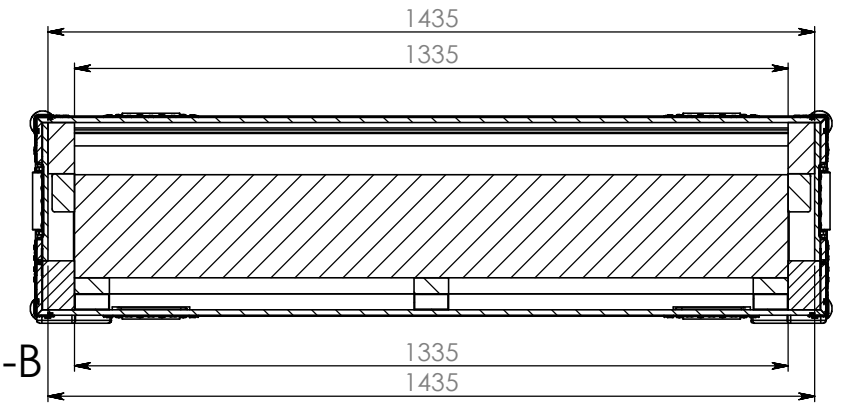
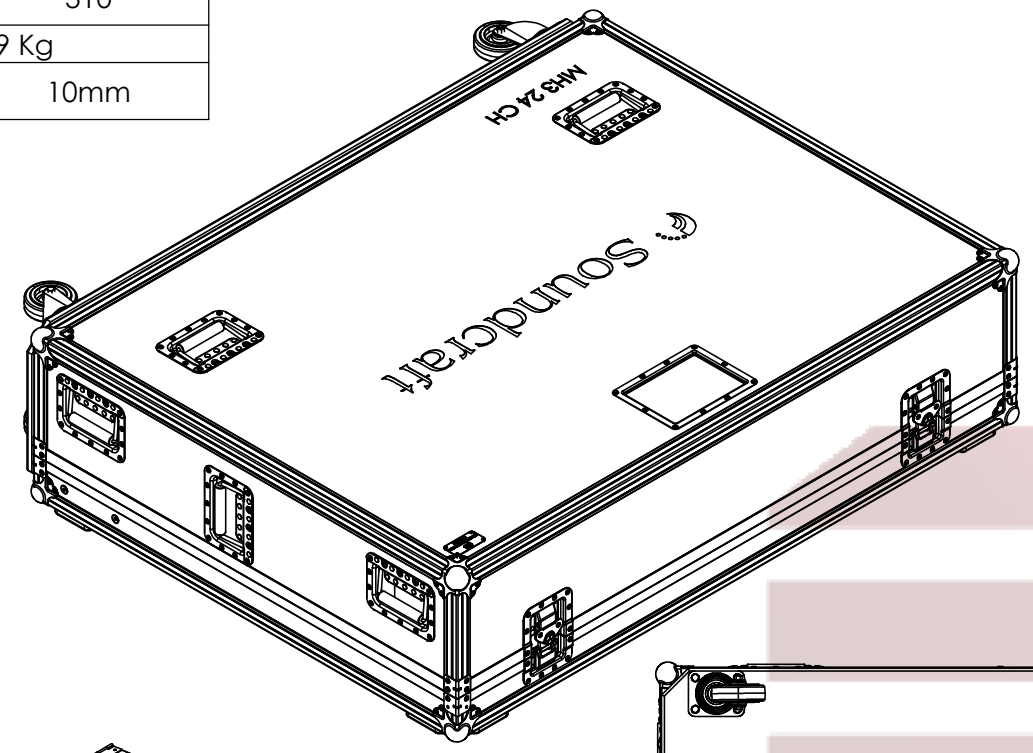
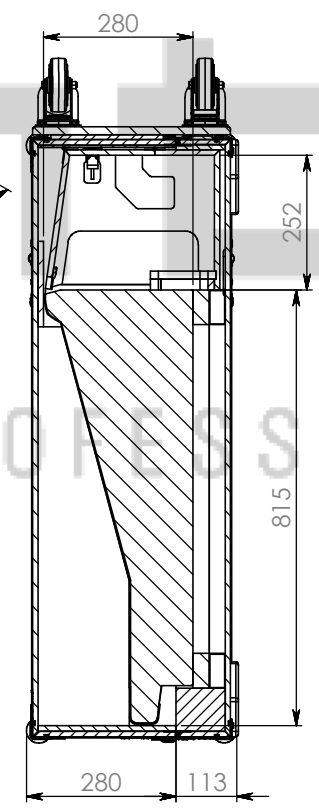
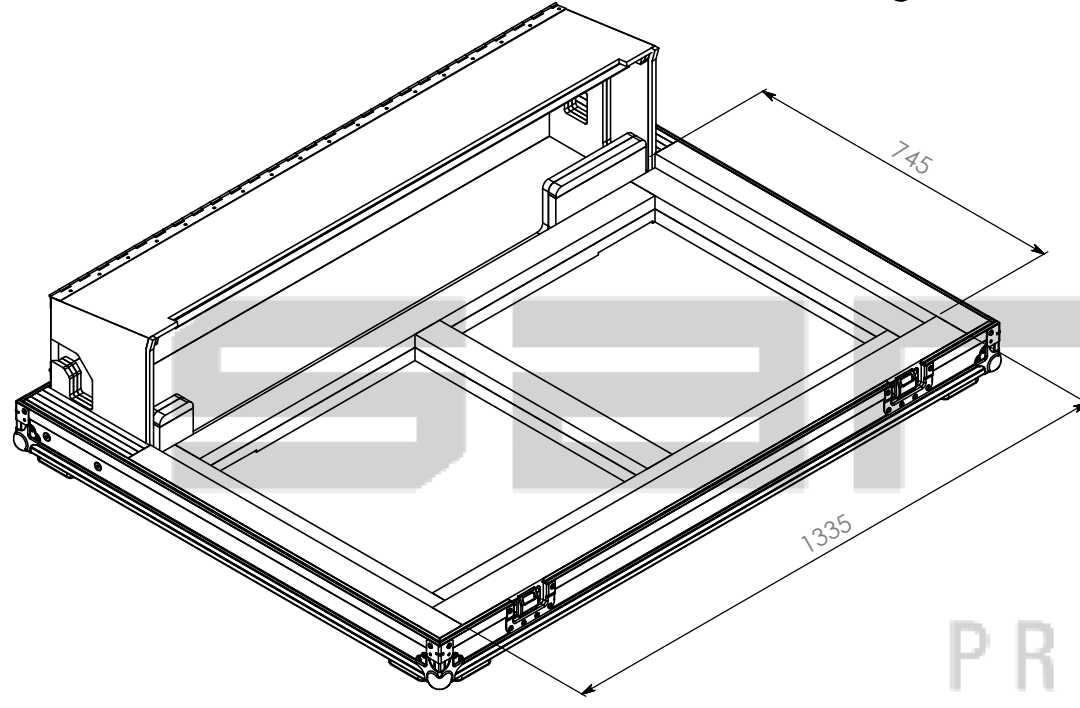
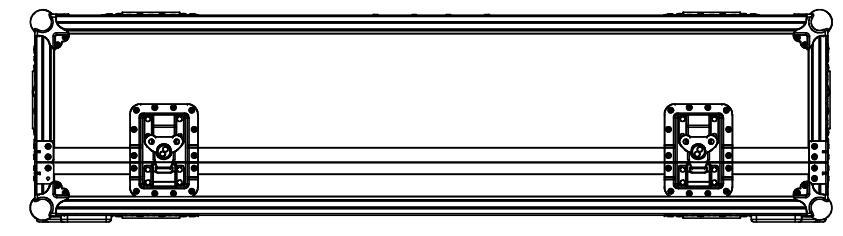
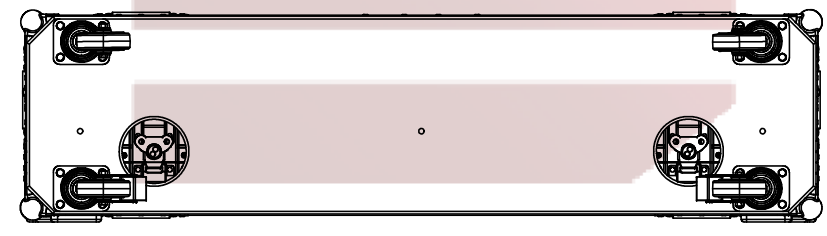


Interior dimensions		
Width	Depth	Height
1435	815	310
Weight	Approx. 79 Kg	
Wall Thickness	10mm	

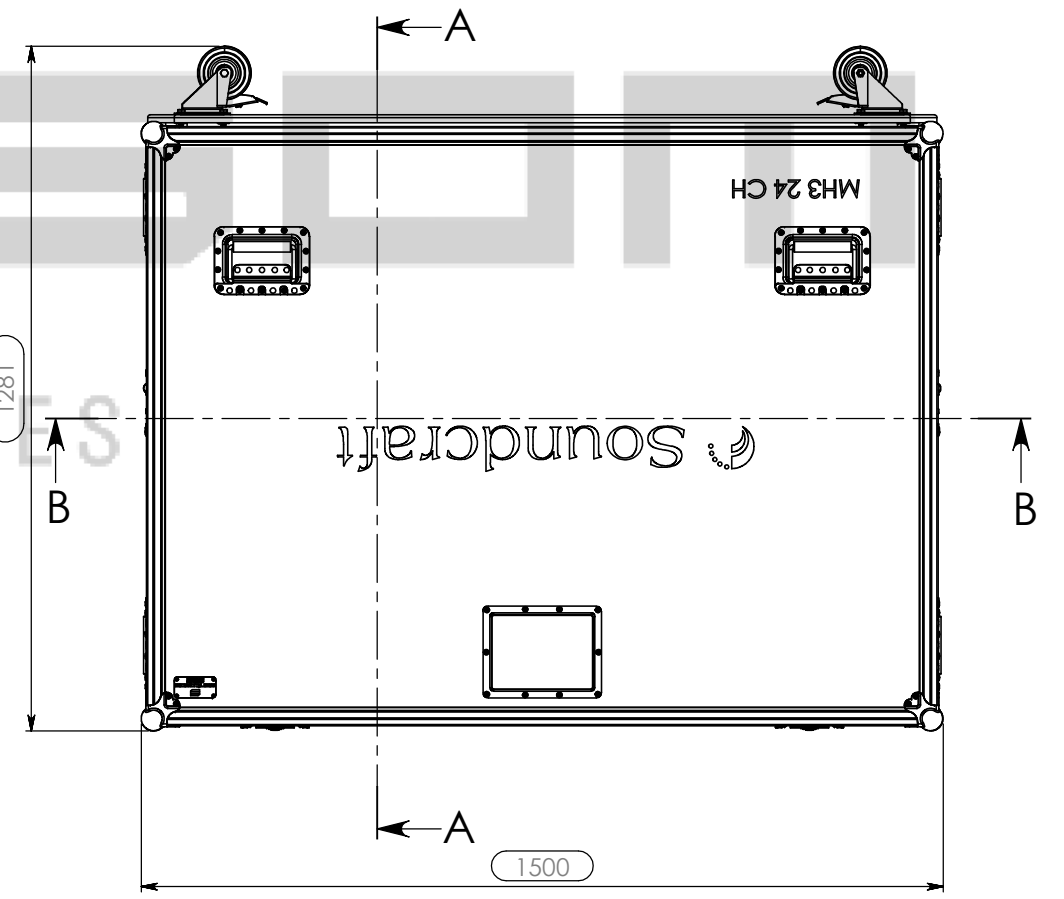
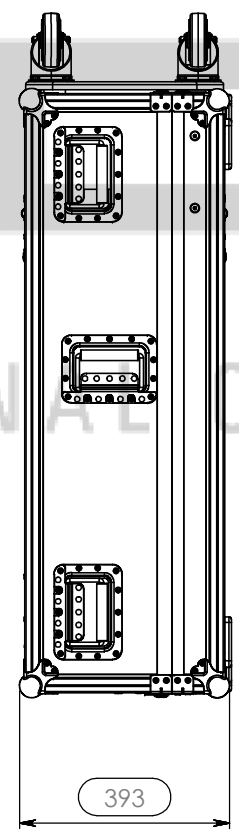
Revision Table				
Index	Rev.	Description	Date	Draw
-	0	Final Drawing	08/03/2013	Pedro Neves



SECTION B-B



SECTION A-A



Hardware	
Qty	Description
7	Large corner bracket f. 35mm case angle
8	Heavy Duty Ball Corner
1	Dish for 88001 Tour Label
10	Large, heavy duty, recessed sprung handle
2	Swivel castor Ø100 mm with brake
2	Swivel castor Ø100 mm
4	Large AH butterfly with 'push-back' function in 14mm dish
1	Large corner bracket f. 35mm case angle

Drawn by	Name	Date
pedroneves	pedroneves	30-07-2013
Reference	MIXER.135	

This drawing must not be copied or disclosed without consent of the owner

Scale 1:10

1st Angle projection

general tolerance ±0.10mm

IC. SOUNDCKRAFT MH3