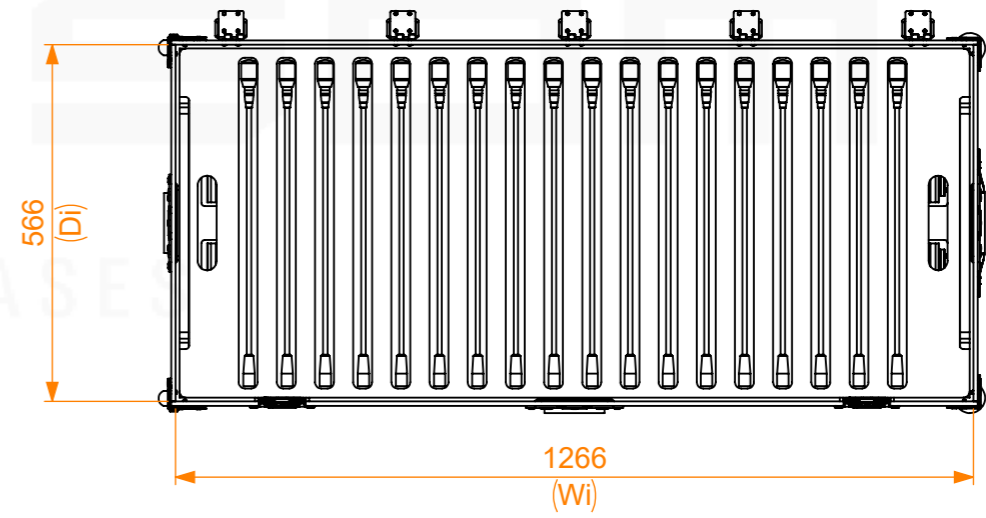
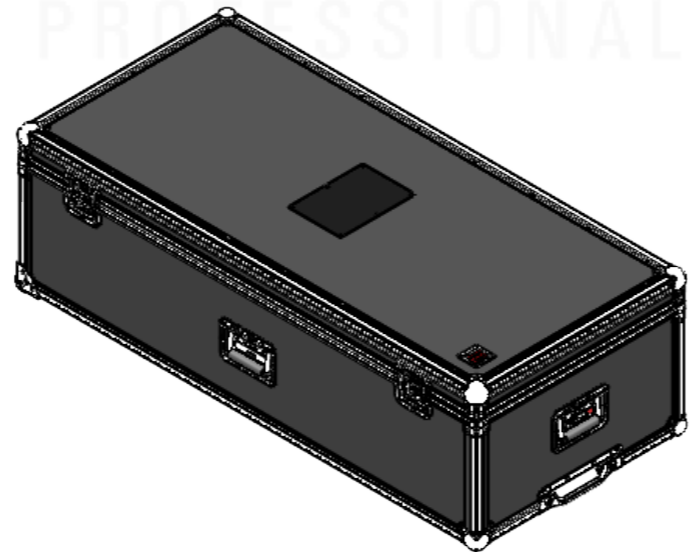
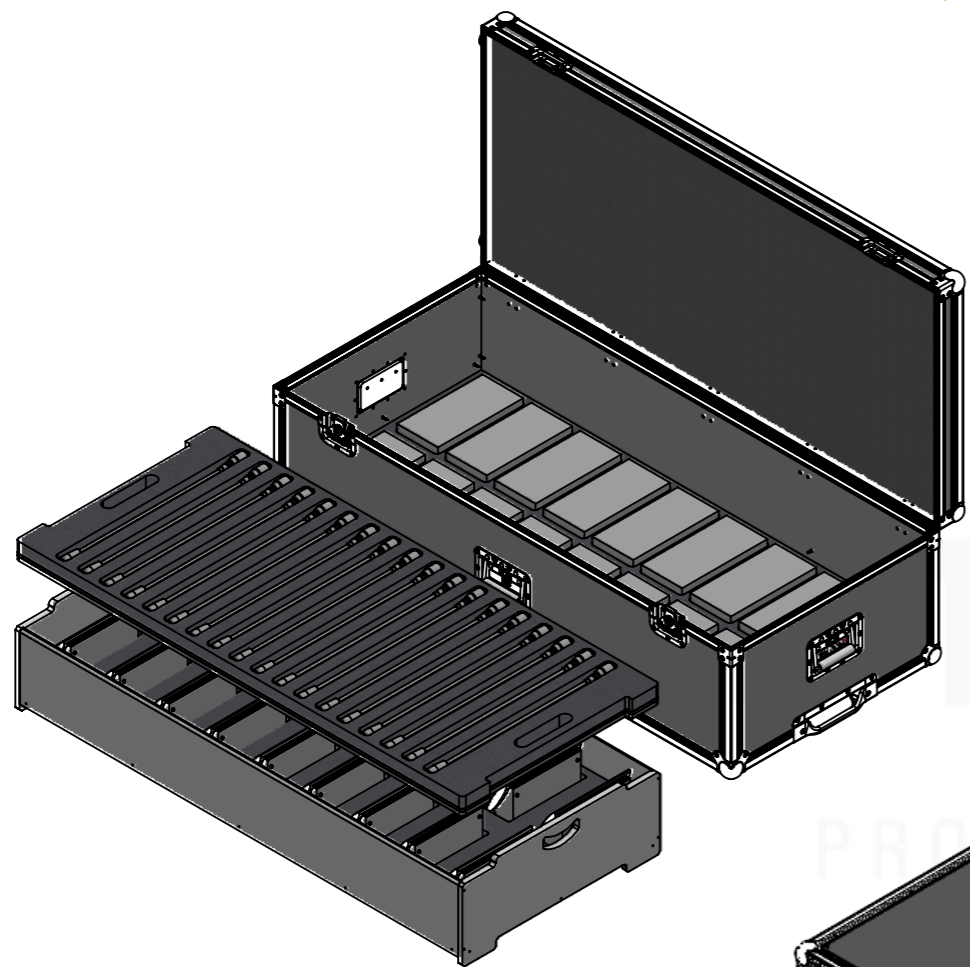
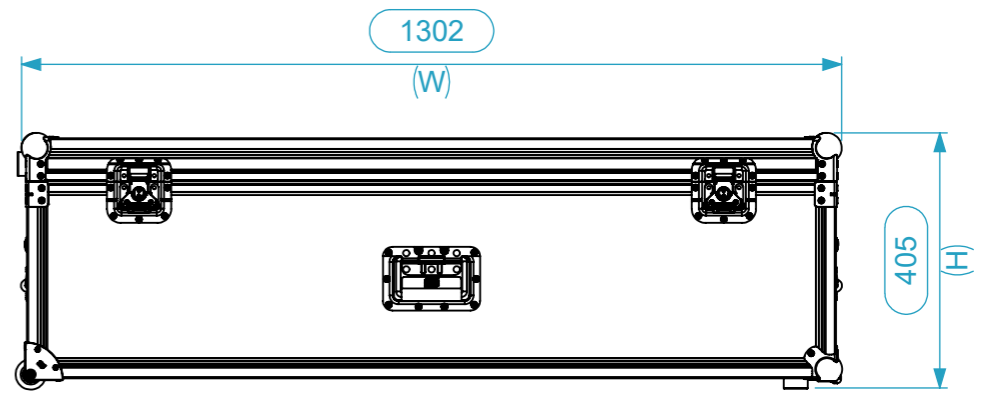
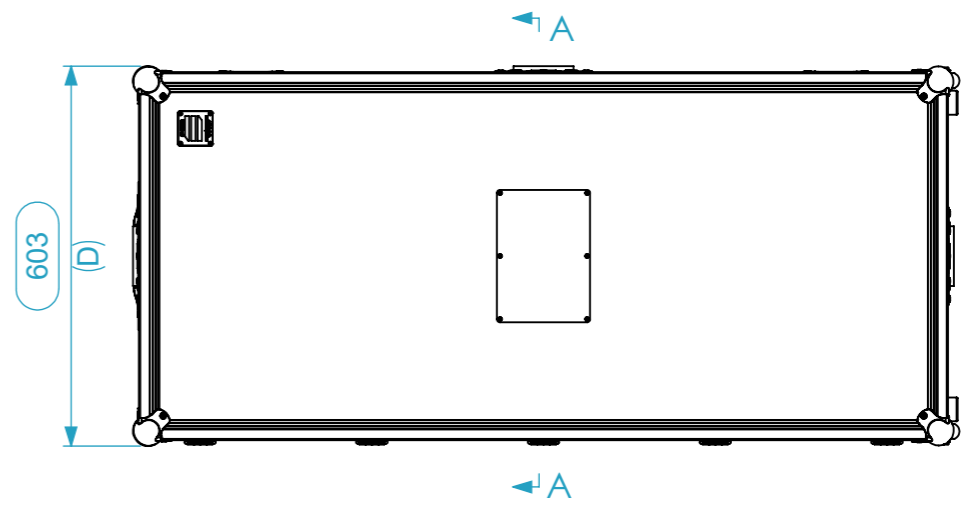
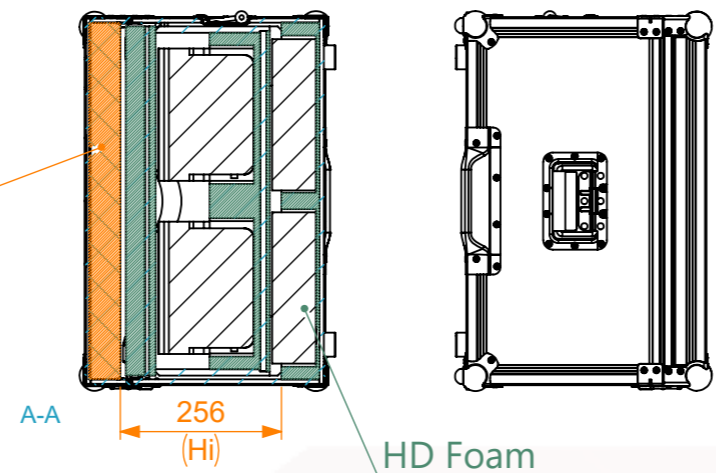


Dimensions

Width	Depth	Height
1266	566	256
Weight	Approx. 37 Kg	
Wall Thickness		7mm

EggBox Foam



General External Dimensions		Usable Inner Dimensions	
W	Width	Wi	Inside Width
D	Depth	Di	Inside Depth
H	Height	Hi	Inside Height

This drawing must not be copied or disclosed without consent of the owner

Drawn by	Name	Date
fiago.pais	fiago.pais	27/05/2026
Reference	MICRO.413	
Scale	units in mm	general tolerance
1:12	DO NOT SCALE	0.8mm
Flight case, 18XTOA TS904+18x TS902+18x8C900		

