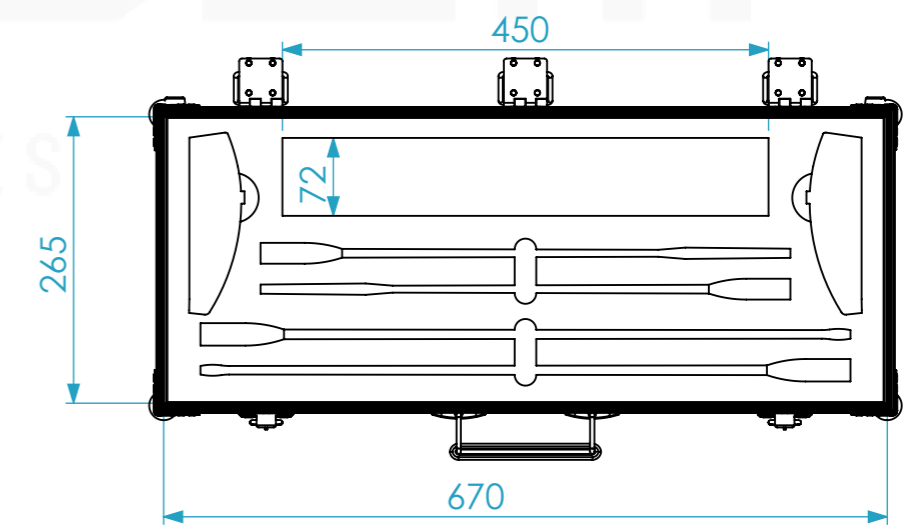
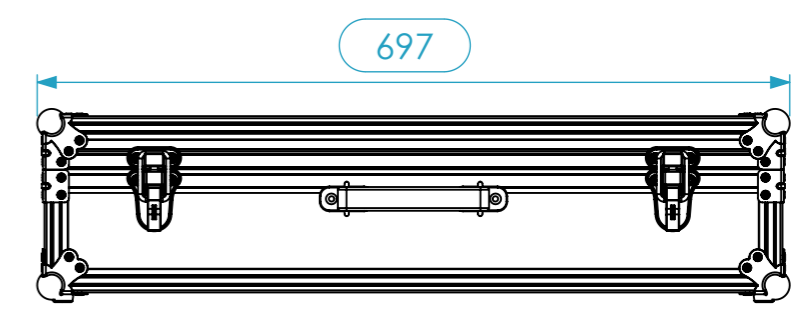
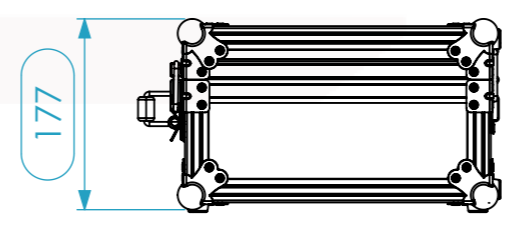
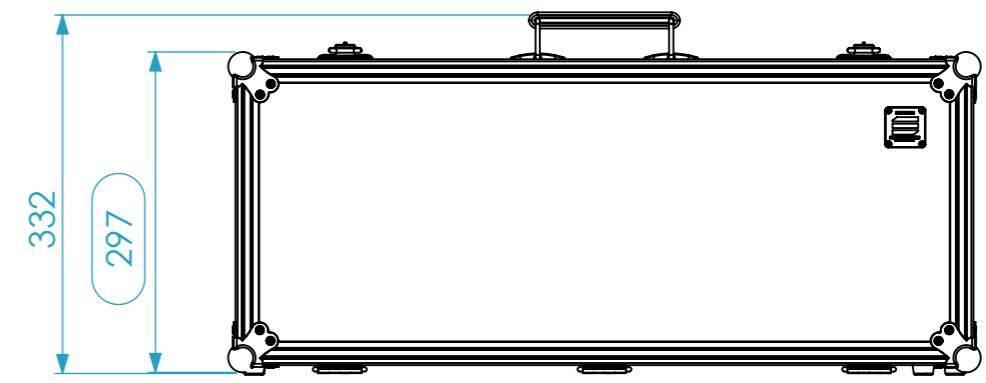
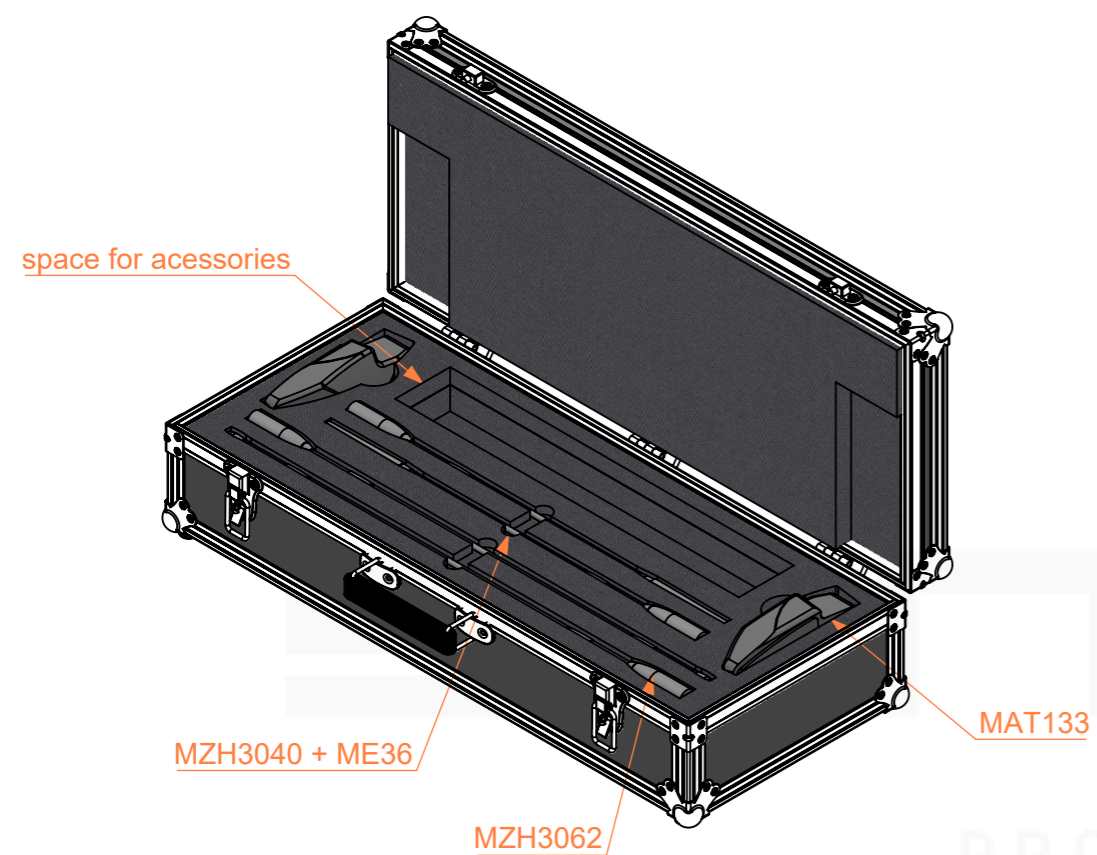


Equipment	SENNHEISER 2x MAT133 + MHZ3040+ME36 +2xMZH3062	
Internal Dimensions		
Width	Depth	Height
663	263	146
Weight	Approx. 4 Kg	
Wall Thickness		7mm



Hardware		
Qty	Ref.	Description
4	40407	Medium corner-brace zinc plated 1,0mm
1	CHAPA.1001	Identification Plate
3	2524	HEAVY DUTY STRUT HINGE WITH BLACK PLATE
8	C1345Z	Small ball corner - 3 leg - zinc plated
8	4903	Rubber foot 20 x 9 mm, black
1	3415	Leather Case Handle
2	16021	Large padlocking drawbolt

A3	This drawing must not be copied or disclosed without consent of the owner	1st Angle projection	Scale 1:7	units in mm DO NOT SCALE	general tolerance 0.8mm
		Reference	MICRO.409		
		Drawn by	Name	Date	
		CatarinaDuque	CatarinaDuque	17-01-2018	
		SENNHEISER 2x MAT133+ MHZ3040+MA36 + 2xMZH3062			