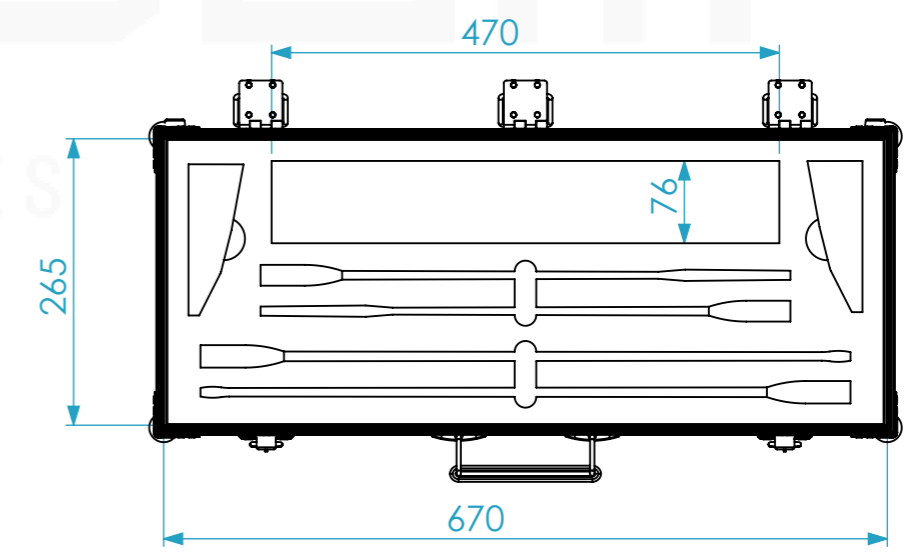
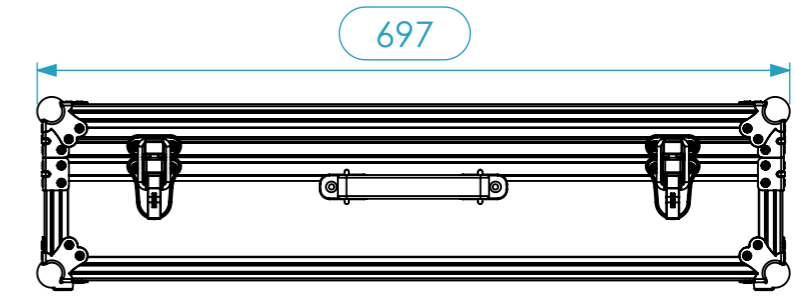
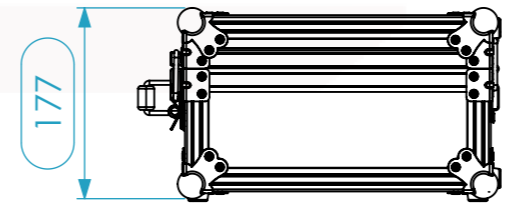
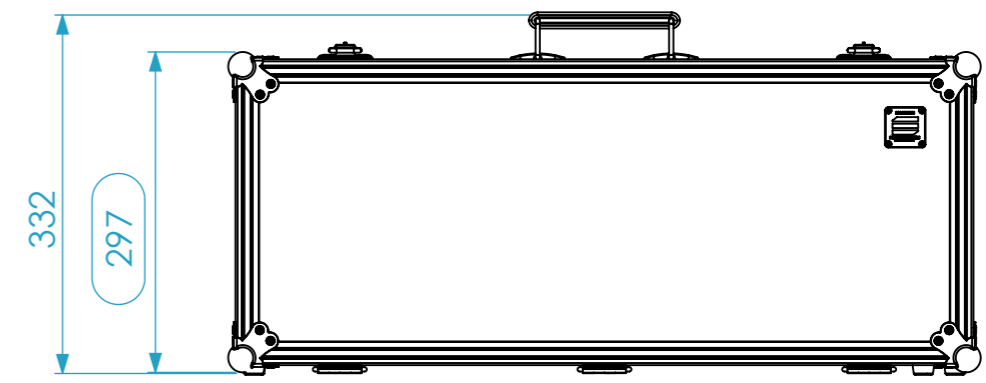
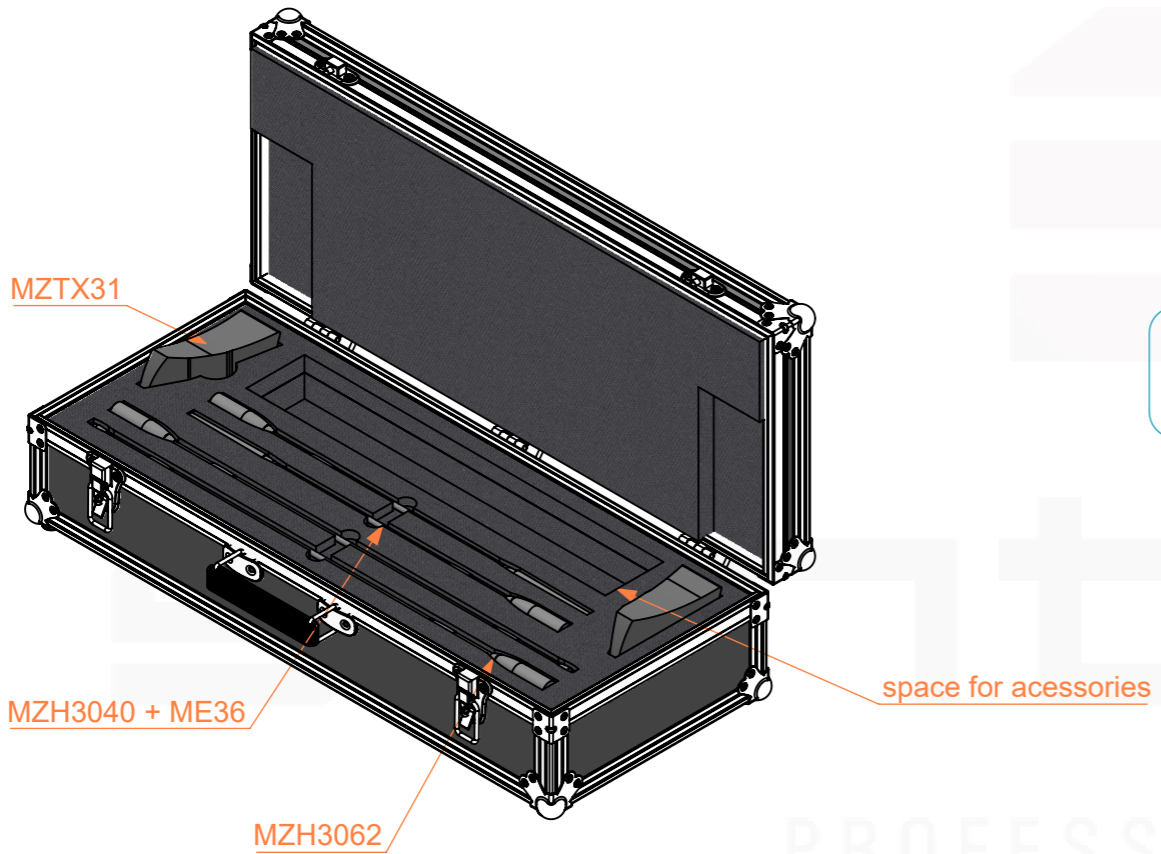


<b>Equipment</b>	SENNHEISER 2x MZTX39 + MHZ3040+ME36+ 2xMZH3062		
<b>Internal Dimensions</b>			
<b>Width</b>	<b>Depth</b>	<b>Height</b>	
663	263	146	
<b>Weight</b>	Approx. 4 Kg		
<b>Wall Thickness</b>		7mm	



Hardware		
Qty	Ref.	Description
4	40407	Medium corner-brace zinc plated 1,0mm
1	CHAPA.1001	Identification Plate
3	2524	HEAVY DUTY STRUT HINGE WITH BLACK PLATE
8	C1345Z	Small ball corner - 3 leg - zinc plated
8	4903	Rubber foot 20 x 9 mm, black
1	3415	Leather Case Handle
2	16021	Large padlocking drawbolt

A3	This drawing must not be copied or disclosed without consent of the owner	1st Angle projection	Scale 1:7	units in mm DO NOT SCALE	general tolerance 0.8mm
		SENNEISER 2x MZTX39 + MHZ3040+ME36 + 2xMZH3062		MICRO.408	

Name	Date
Drawn by CatarinaDuque	17-01-2018