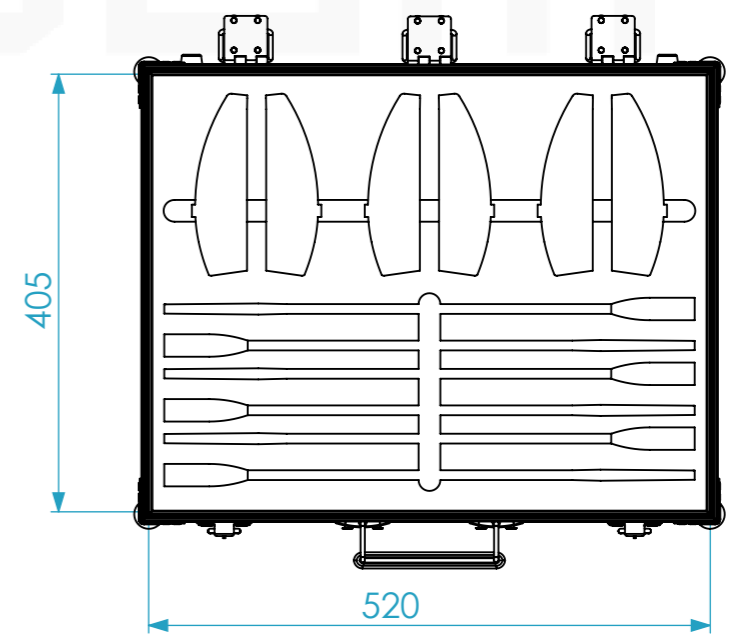
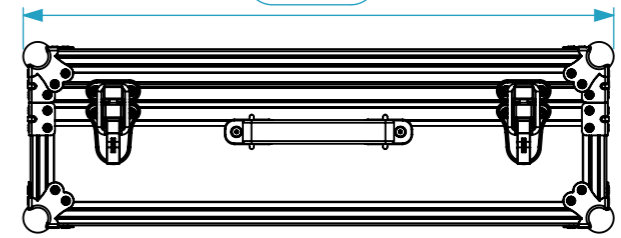
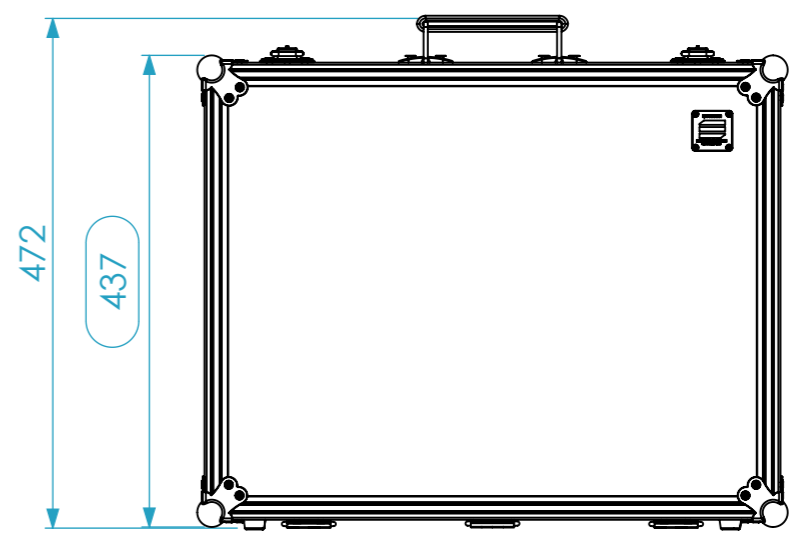


<b>Equipment</b>	SENNHEISER 6X MZH3042+ ME36 + MAT133	
<b>Internal Dimensions</b>		
<b>Width</b>	<b>Depth</b>	<b>Height</b>
513	403	146
<b>Weight</b>	Approx. 2 Kg	
<b>Wall Thickness</b>		7mm



Hardware		
Qty	Ref.	Description
4	40407	Medium corner-brace zinc plated 1,0mm
1	CHAPA.1001	Identification Plate
3	2524	HEAVY DUTY STRUT HINGE WITH BLACK PLATE
8	C1345Z	Small ball corner - 3 leg - zinc plated
4	4903	Rubber foot 20 x 9 mm, black
1	3415	Leather Case Handle
2	16021	Large padlocking drawbolt

SANTOSOM  
 PROFESSIONAL CASES

A3 This drawing must not be copied or disclosed without consent of the owner

Drawn by	Name	Date
CatarinaDuque	CatarinaDuque	15-01-2018
Reference	MICRO.407	
Scale	units in mm	general tolerance
1:7	DO NOT SCALE	0.8mm
SENNHEISER 6X MZH3042+ ME36 + MAT133		

