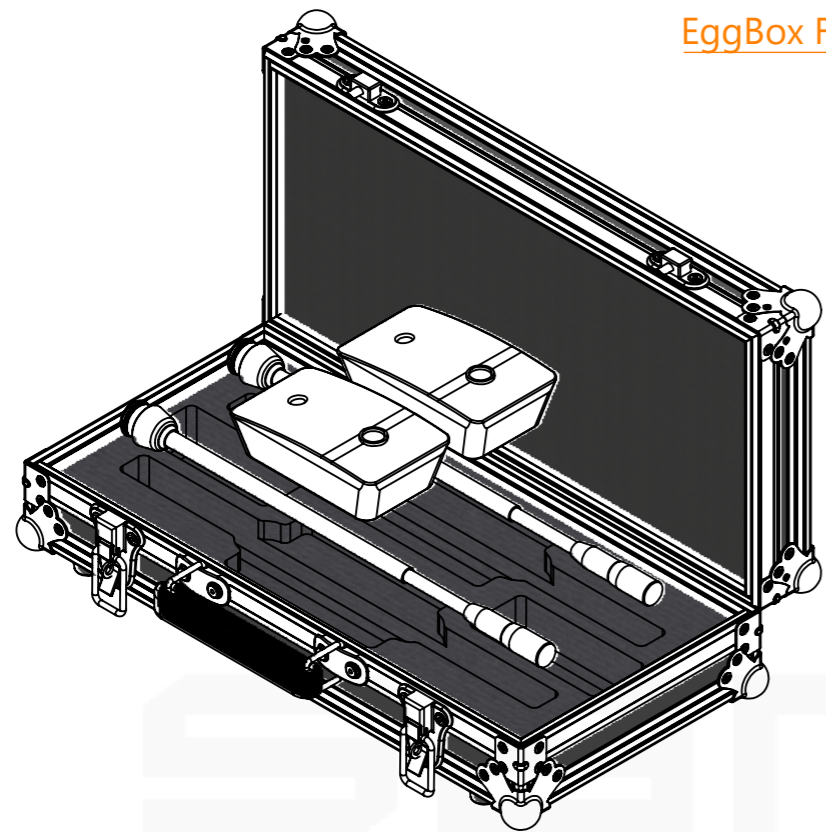
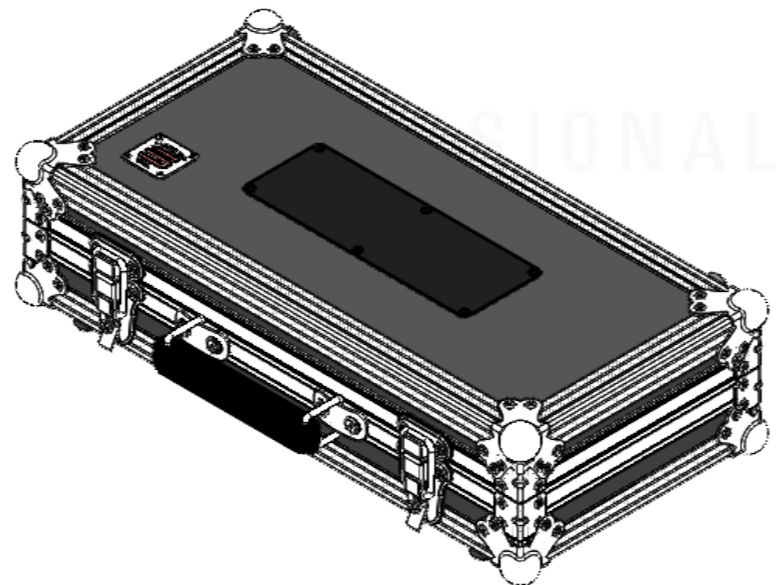
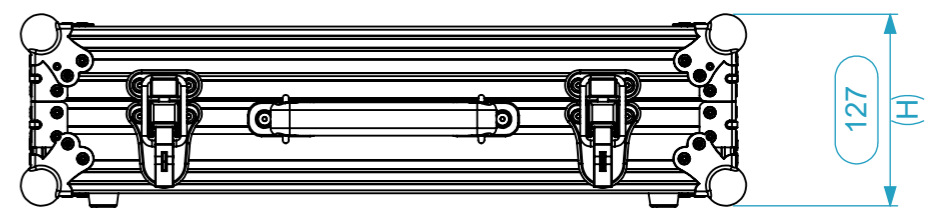
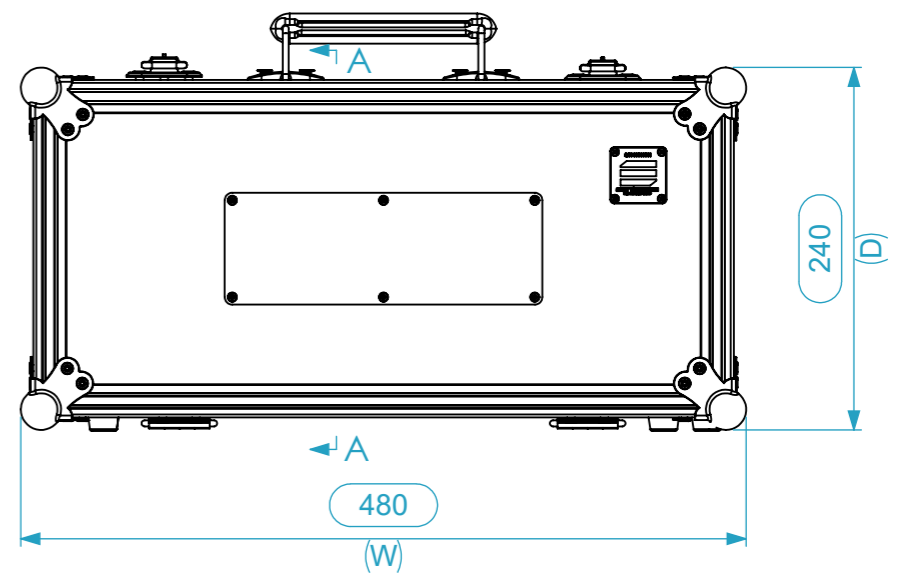
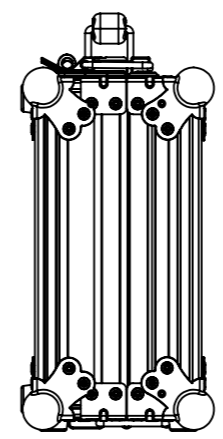
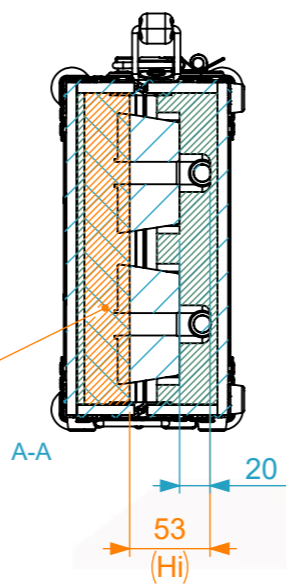


Dimensions

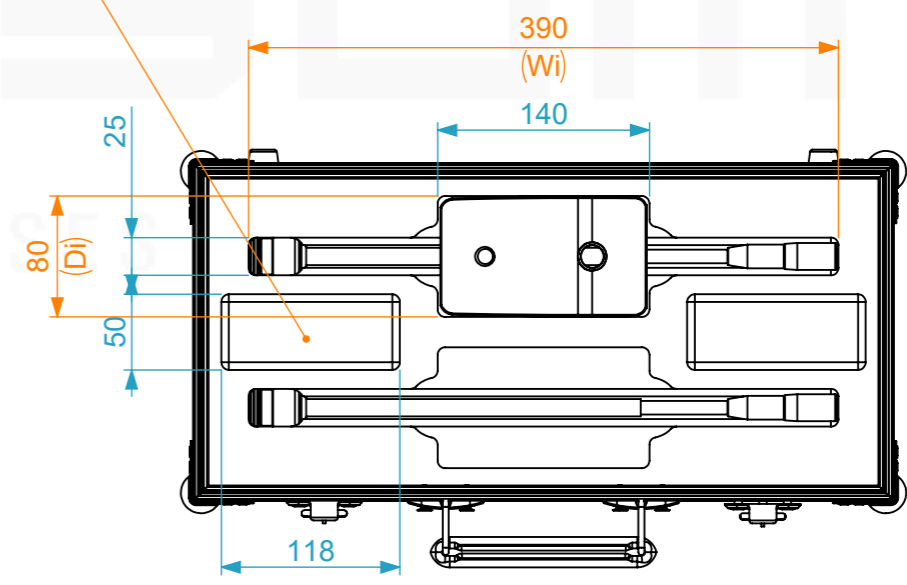
Width	Depth	Height
390	80	53
Weight	Approx. 3 Kg	
Wall Thickness		7mm



EggBox Foam



For accessories



General External Dimensions		Usable Inner Dimensions	
W	Width	Wi	Inside Width
D	Depth	Di	Inside Depth
H	Height	Hi	Inside Height

Drawn by	Name	Date
fiago.pais	fiago.pais	05/05/2026
Reference	MICRO.133	
Scale	units in mm	general tolerance
1:5	DO NOT SCALE	0.8mm
Hand Case 2x Shure MX410 + ULXD8		



This drawing must not be copied or disclosed without consent of the owner



A3