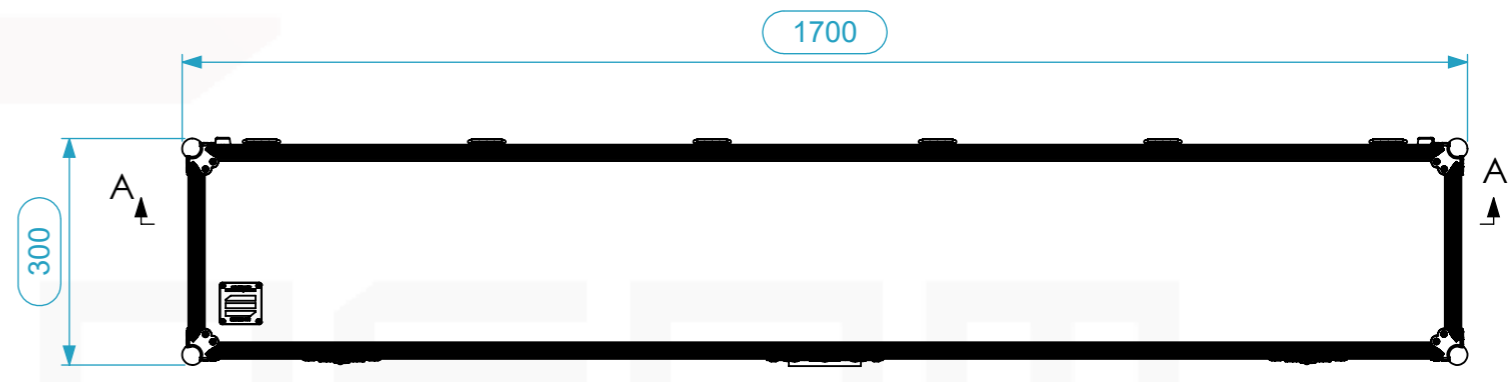
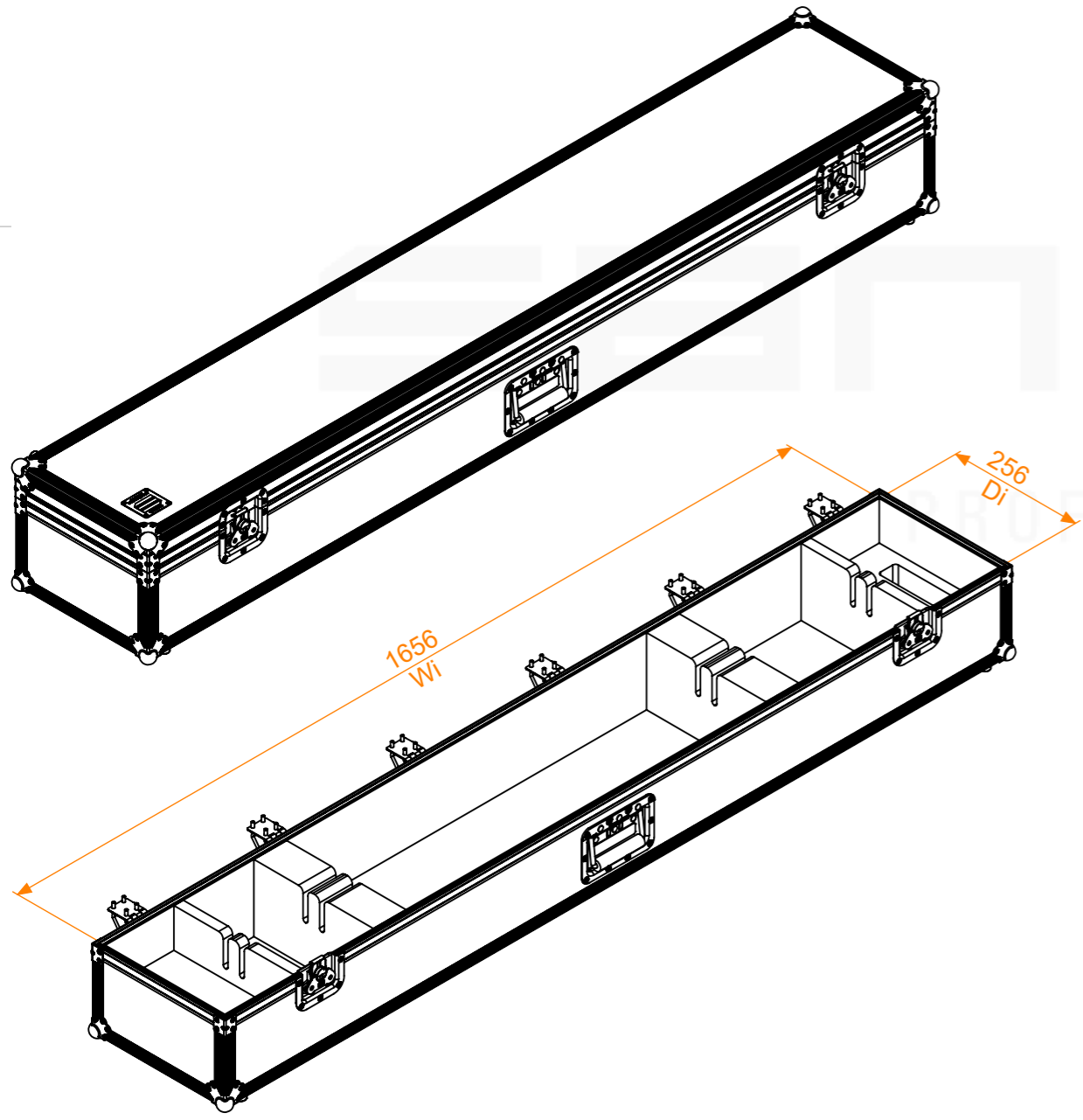
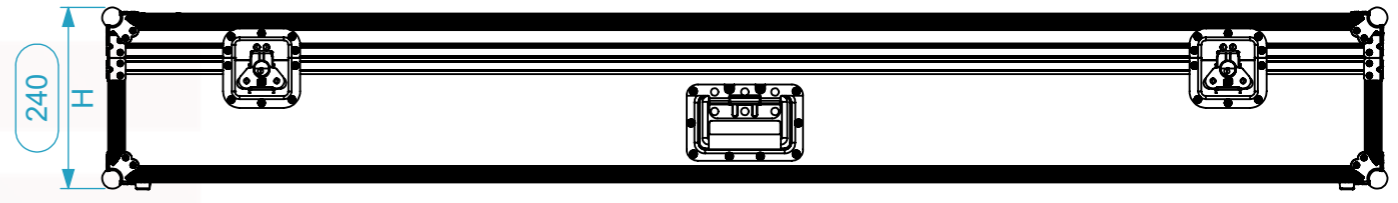
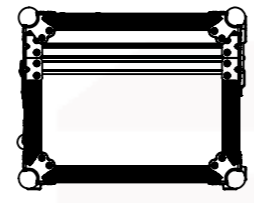
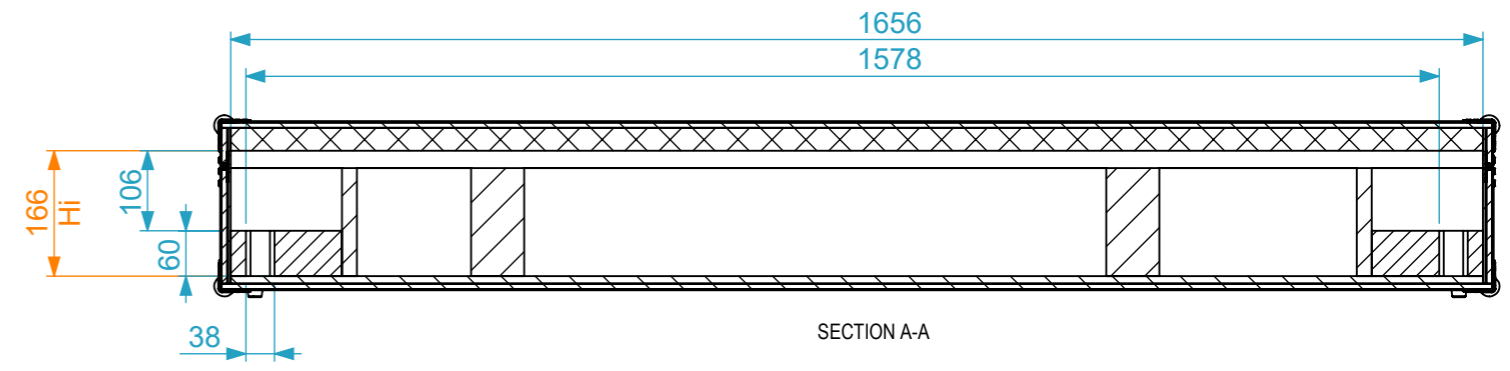


Internal Dimensions		
Width	Depth	Height
1656	256	170
Weight	Approx. 14 Kg	
Wall Thickness	7mm	



General External Dimensions	
W	Width
D	Depth
H	Height
Usable Inner Dimensions	
Wi	Inside Width
Di	Inside Depth
Hi	Inside Height

Name	Date
Drawn by projects	04/11/2021
Reference	MICRO.113
Scale	1:10
units in mm	general tolerance 0.8mm
DO NOT SCALE	
FC, 2 Micro Pulpito AKG GN155	



A3 This drawing must not be copied or disclosed without consent of the owner

