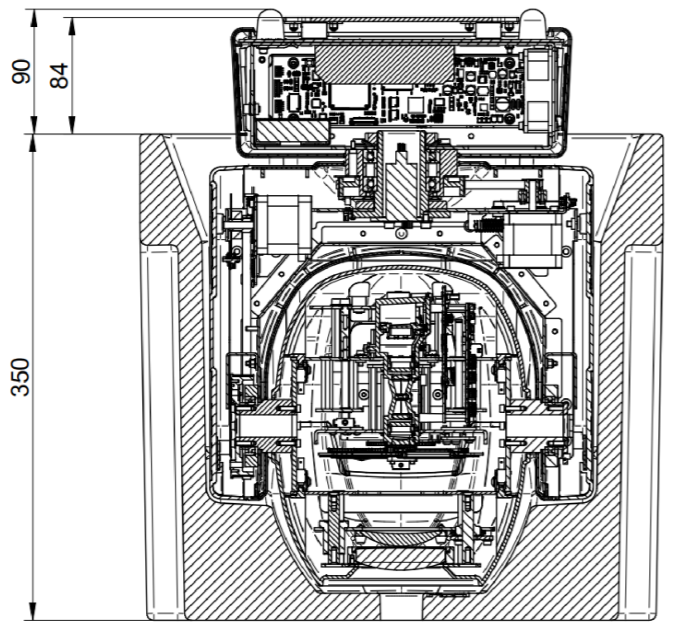
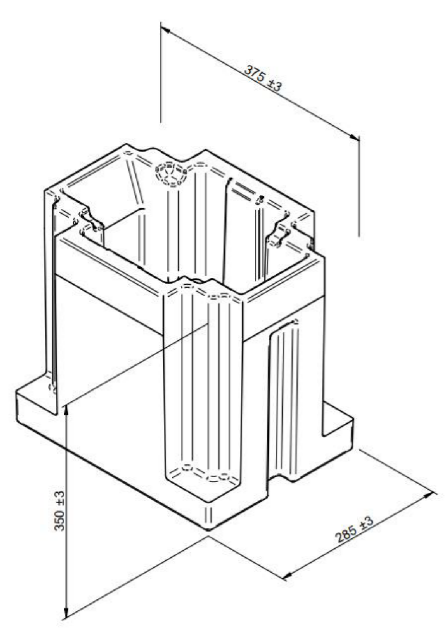
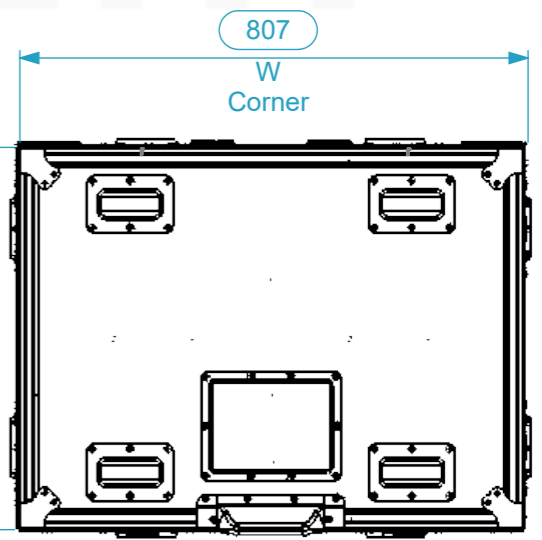
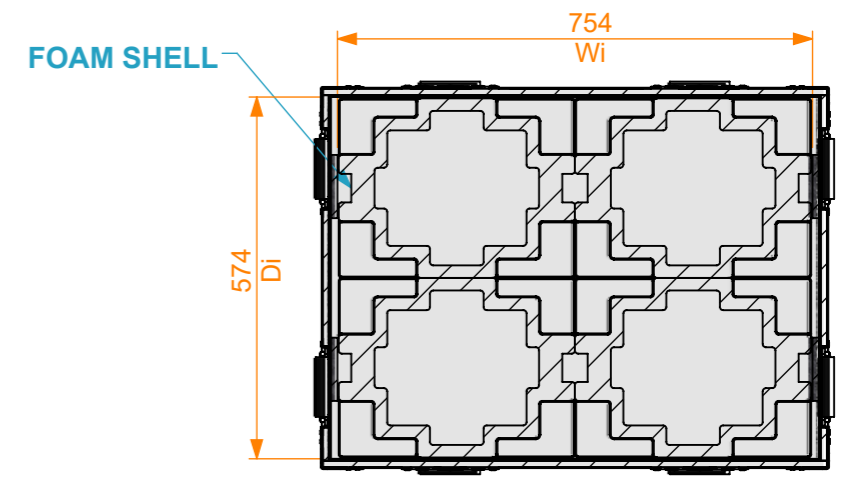
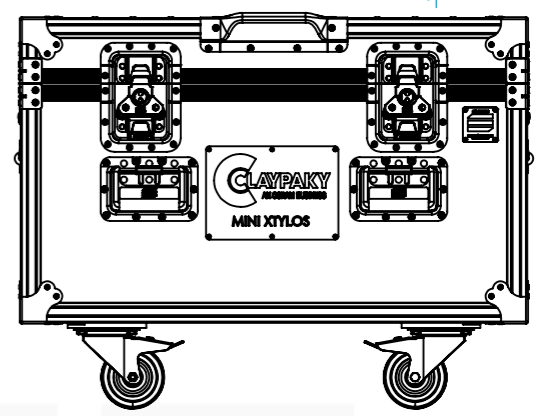
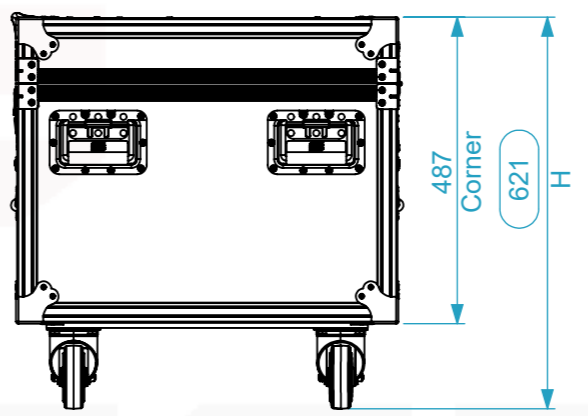
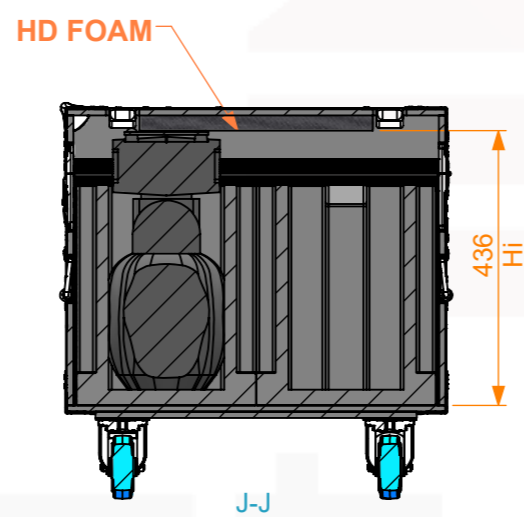
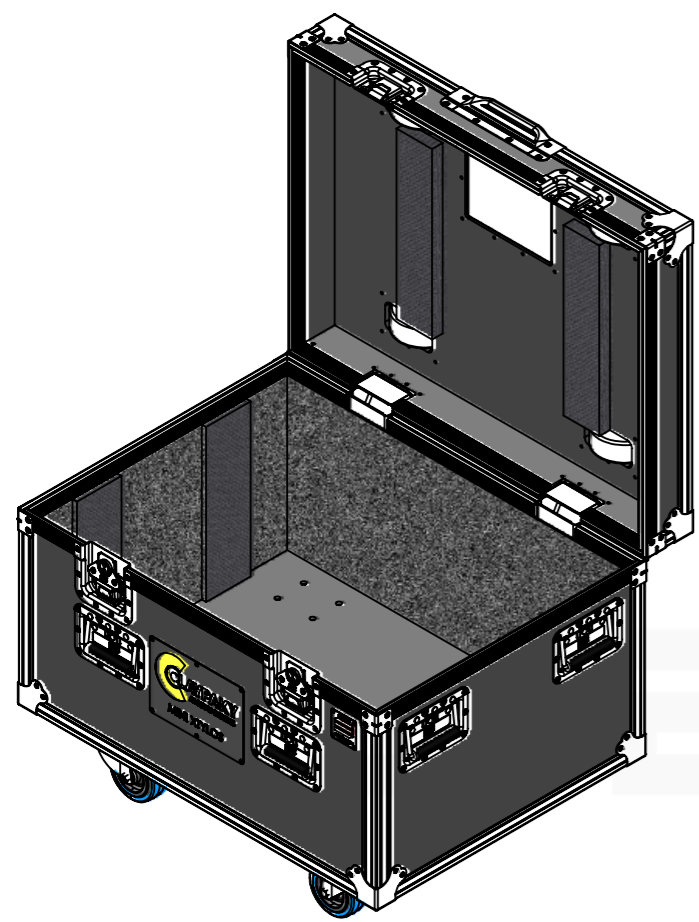


Equipment			ClayPaky Mini Xtylos Foam Shell		
Width	Depth	Height			
375	285	350			
Internal Dimensions					
Width	Depth	Height			
754	574	436			
Weight	Approx. 28.87 Kg				
Wall Thickness	10mm				



General External Dimensions		Usable Inner Dimensions	
W	Width	Wi	Inside Width
D	Depth	Di	Inside Depth
H	Height	Hi	Inside Height

Name	Date
Drawn by projects	11/04/2022
Reference	MHEAD.912S.04
Scale	1:12
units in mm	general tolerance 0.8mm
DO NOT SCALE	
1st Angle projection	Flight case PRO, 4x Clay Paky Mini Xtylos (no foam shell)



A3 This drawing must not be copied or disclosed without consent of the owner