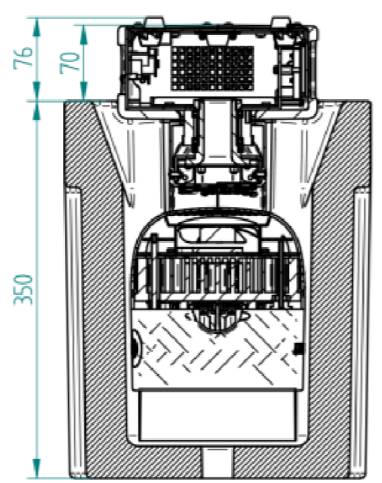
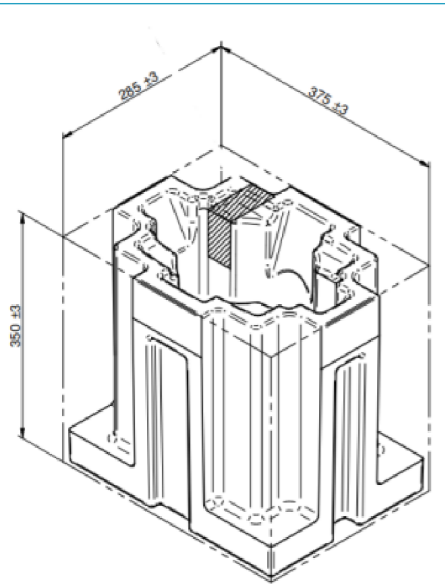
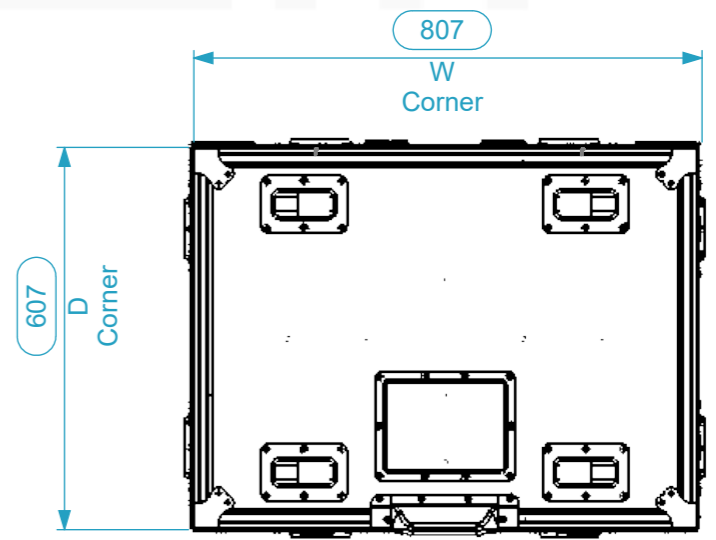
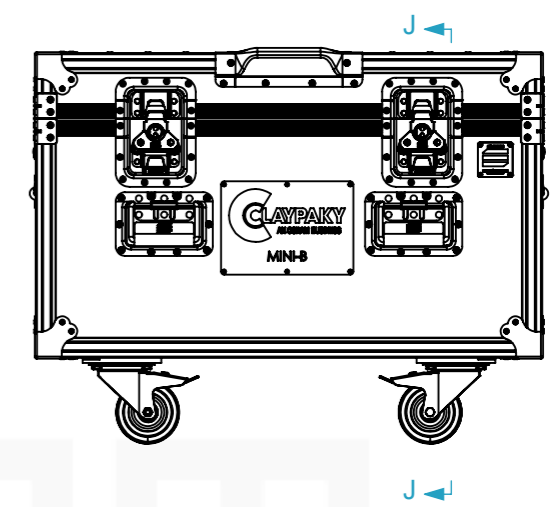
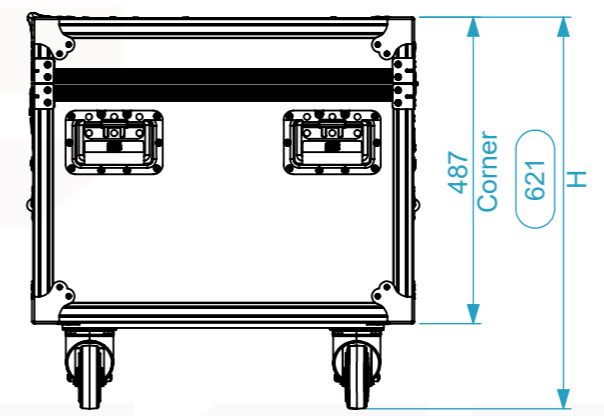
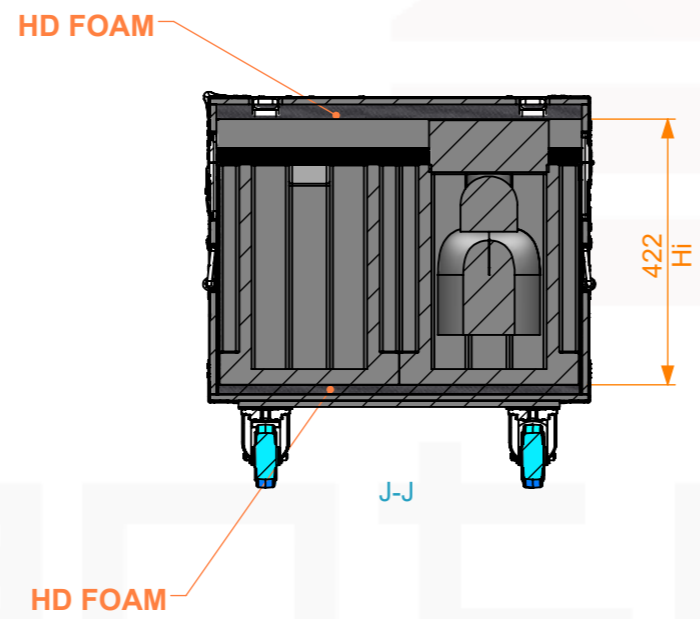
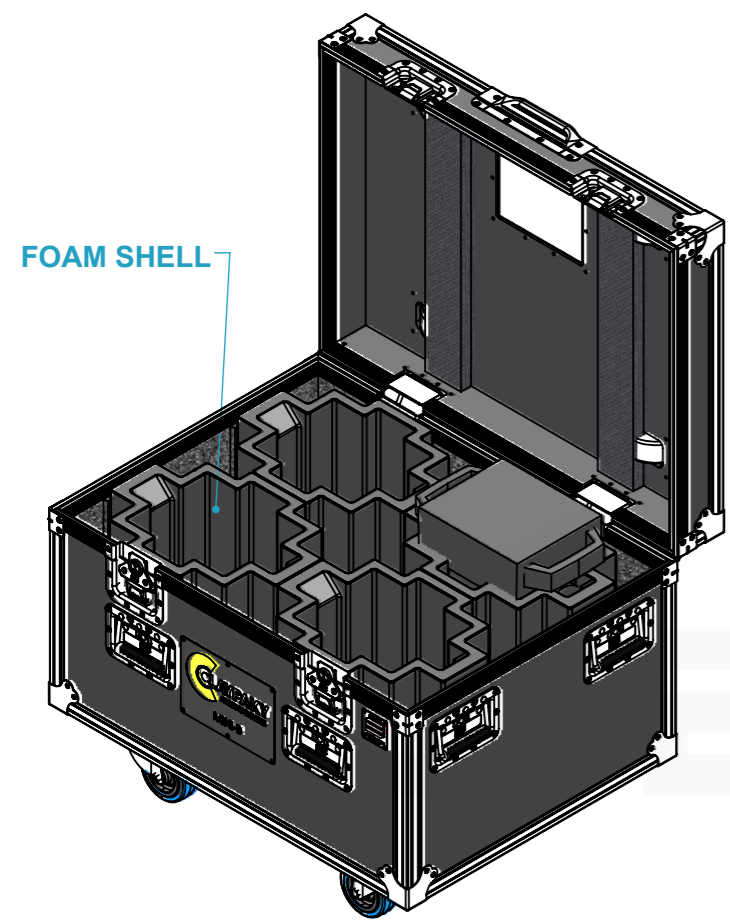
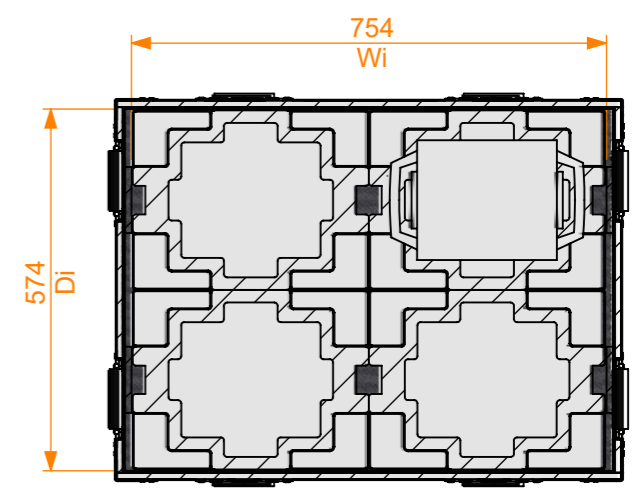


Equipment			ClayPaky Mini-B Foam Shell		
Width	Depth	Height			
375	285	350			
Internal Dimensions					
Width	Depth	Height			
754	574	422			
Weight	Approx. 29.09 Kg				
Wall Thickness	10mm				



General External Dimensions		Usable Inner Dimensions	
W	Width	Wi	Inside Width
D	Depth	Di	Inside Depth
H	Height	Hi	Inside Height

Name	Date
Drawn by projects	11/03/2022
Reference	MHEAD.907S.04
Scale	1:12
units in mm	general tolerance 0.8mm
DO NOT SCALE	
1st Angle projection	Flight case PRO, 4x Clay Paky Mini-B (no foam shell)



A3 This drawing must not be copied or disclosed without consent of the owner