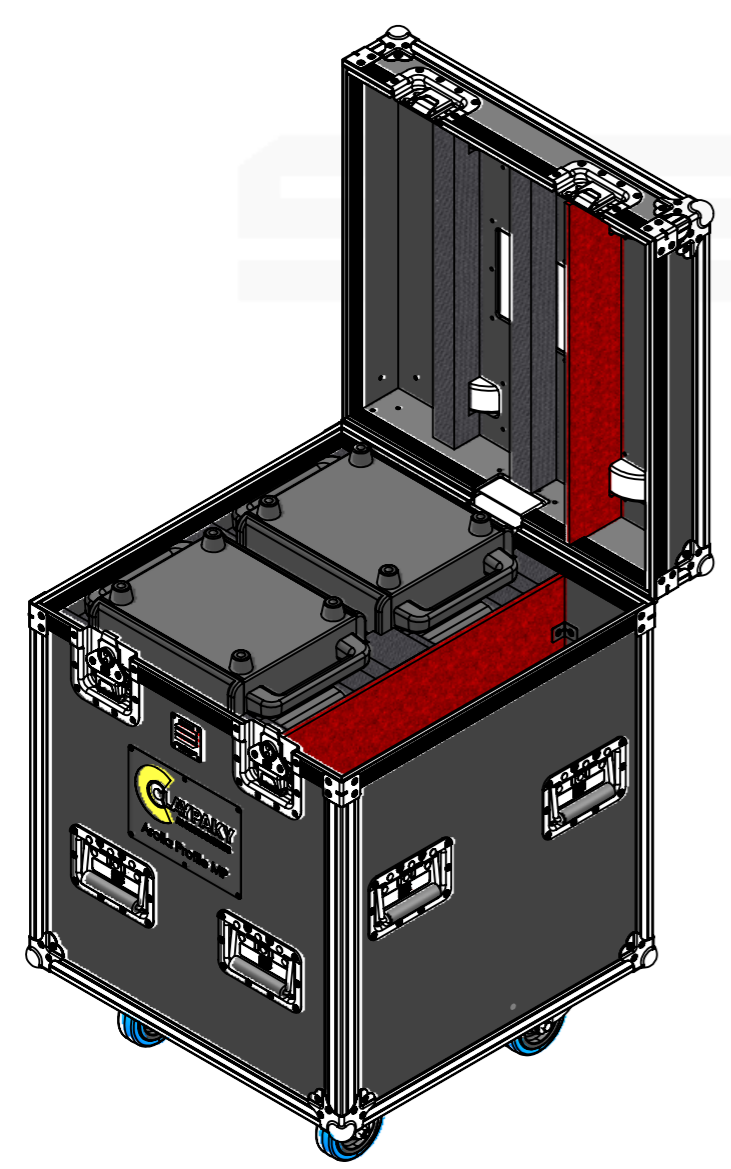
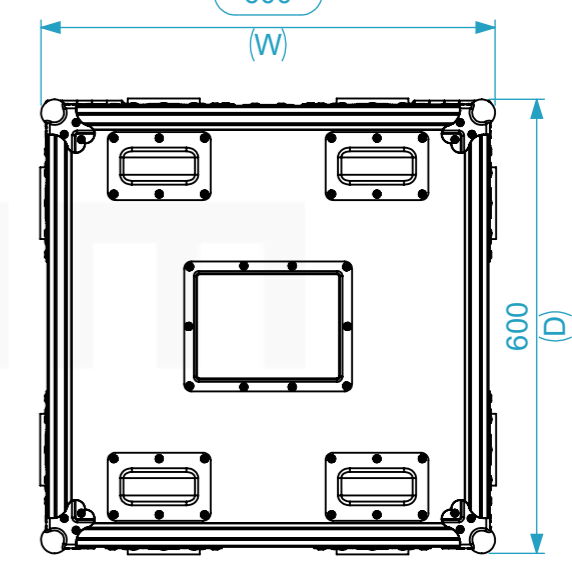
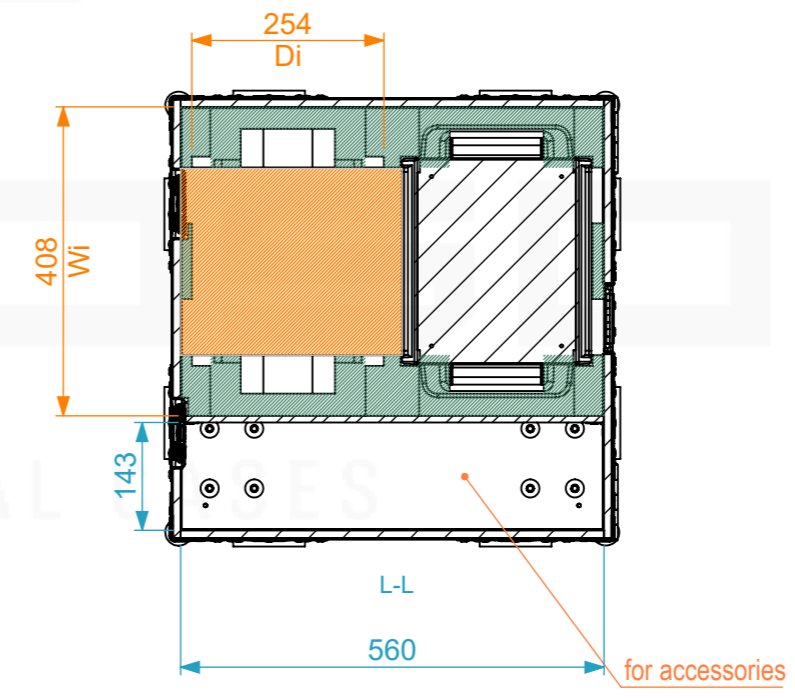
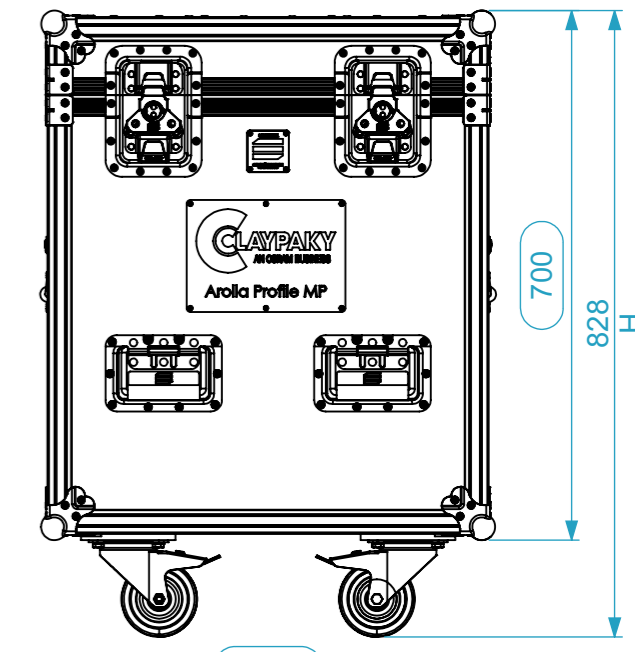
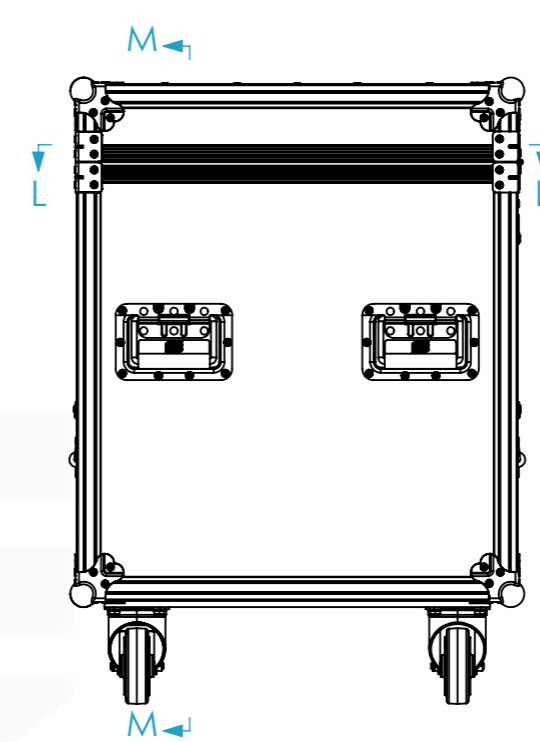
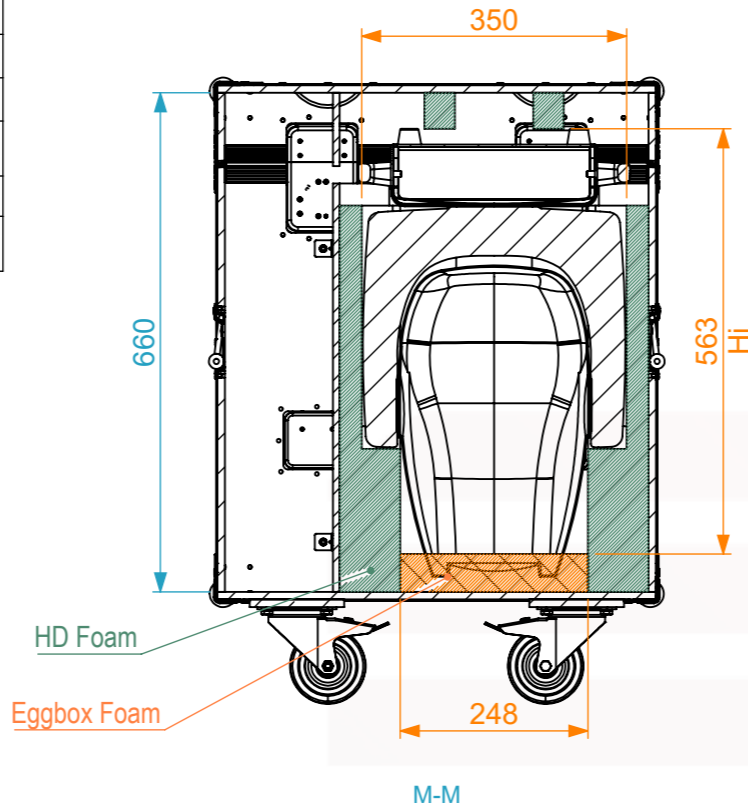


Equipment	Clay Paky Arolla Profile MP	
Width	Depth	Height
360	347	593
Weight	Approx. 25 Kg	
Internal Dimensions		
Width	Depth	Height
408	254	563
Weight	Approx. 31.44 Kg	
Wall Thickness	10mm	



General External Dimensions	
W	Width
D	Depth
H	Height
Usable Inner Dimensions	
Wi	Inside Width
Di	Inside Depth
Hi	Inside Height

Name	CarlaSilva	Date	28/03/2023
Reference	MHEAD.898		
Scale	1:10	units in mm	general tolerance 0.8mm
1st Angle projection	Flight case PRO 2x Clay Paky Arolla Profile MP		



This drawing must not be copied or disclosed without consent of the owner

A3