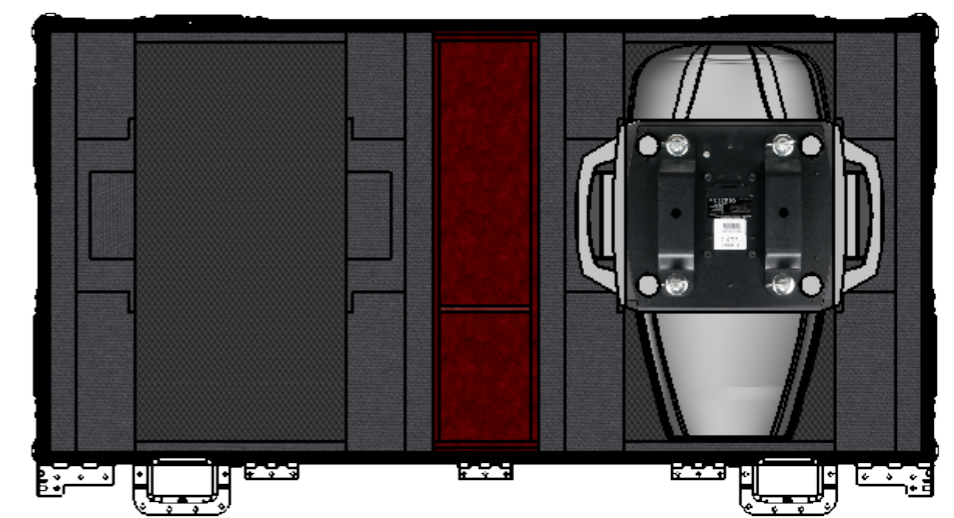
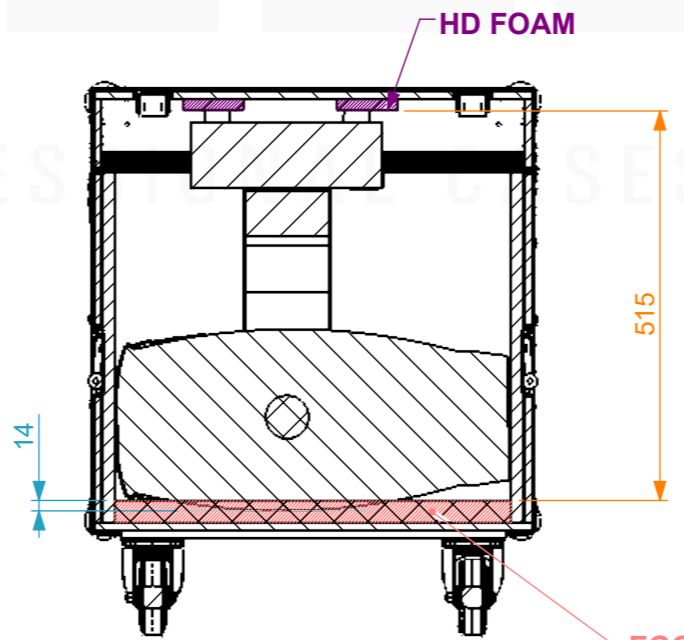
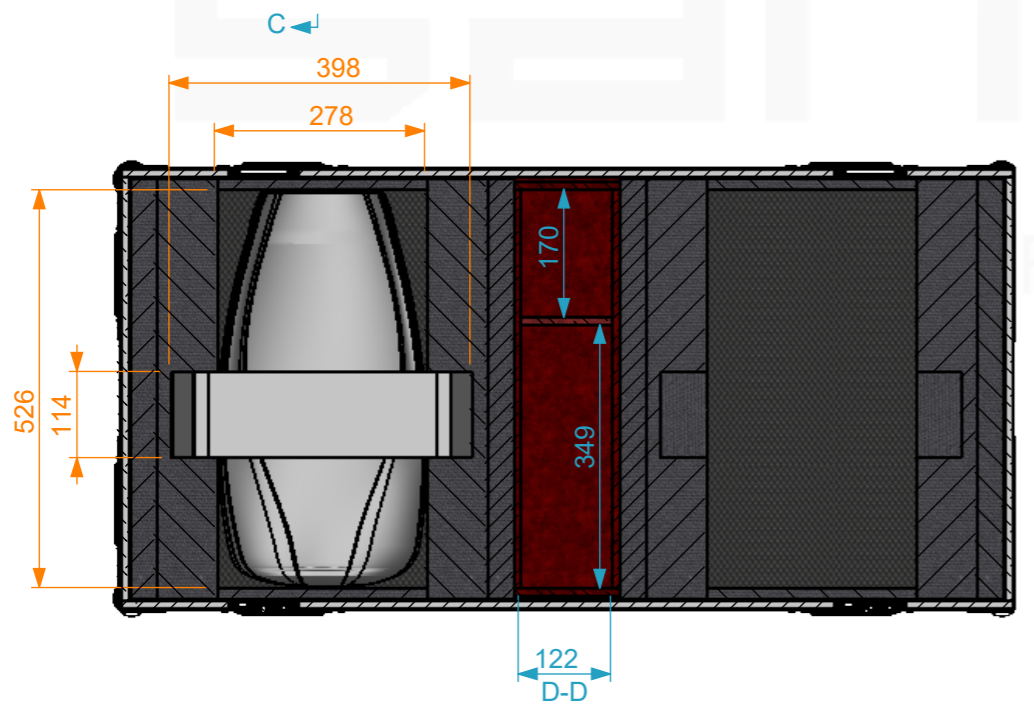
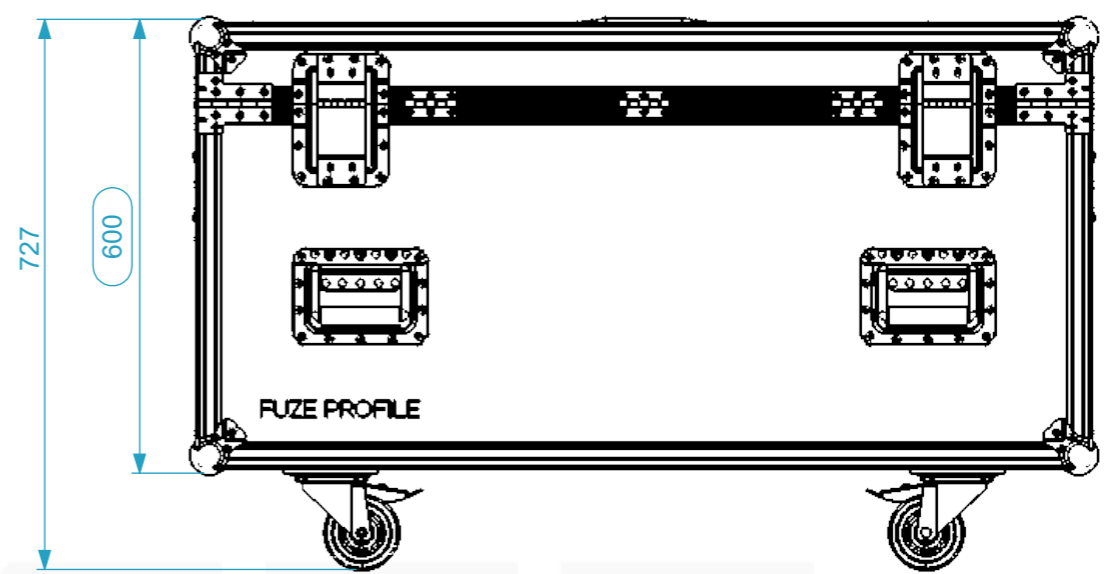
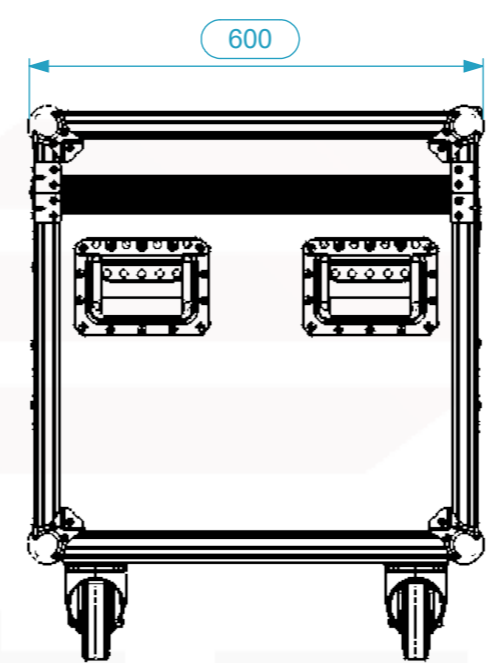
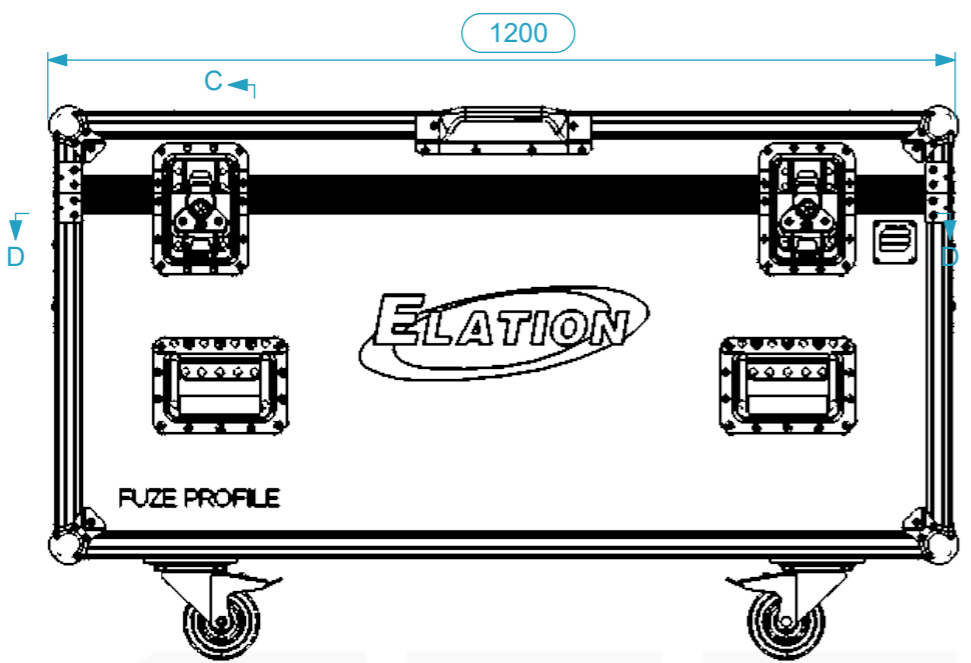


Equipment		Elation Fuze Profile	
Width	408	Depth	520
		Height	525
Internal Dimensions			
Width	476	Depth	536
		Height	560
Weight	Approx. 50.96 Kg		
Wall Thickness	10mm		



**EGGBOX FOAM
30 mm THICK
(presses 10 mm)**

C-C

General External Dimensions		Usable Inner Dimensions	
W	Width	Wi	Inside Width
D	Depth	Di	Inside Depth
H	Height	Hi	Inside Height

This drawing must not be copied or disclosed without consent of the owner

Drawn by	projects	Name	Date
Reference	MHEAD.882		22/07/2023
Scale	1:10	units in mm	general tolerance 0.8mm
		DO NOT SCALE	
		Flight case PRO, 2x Elation Fuze Profile	



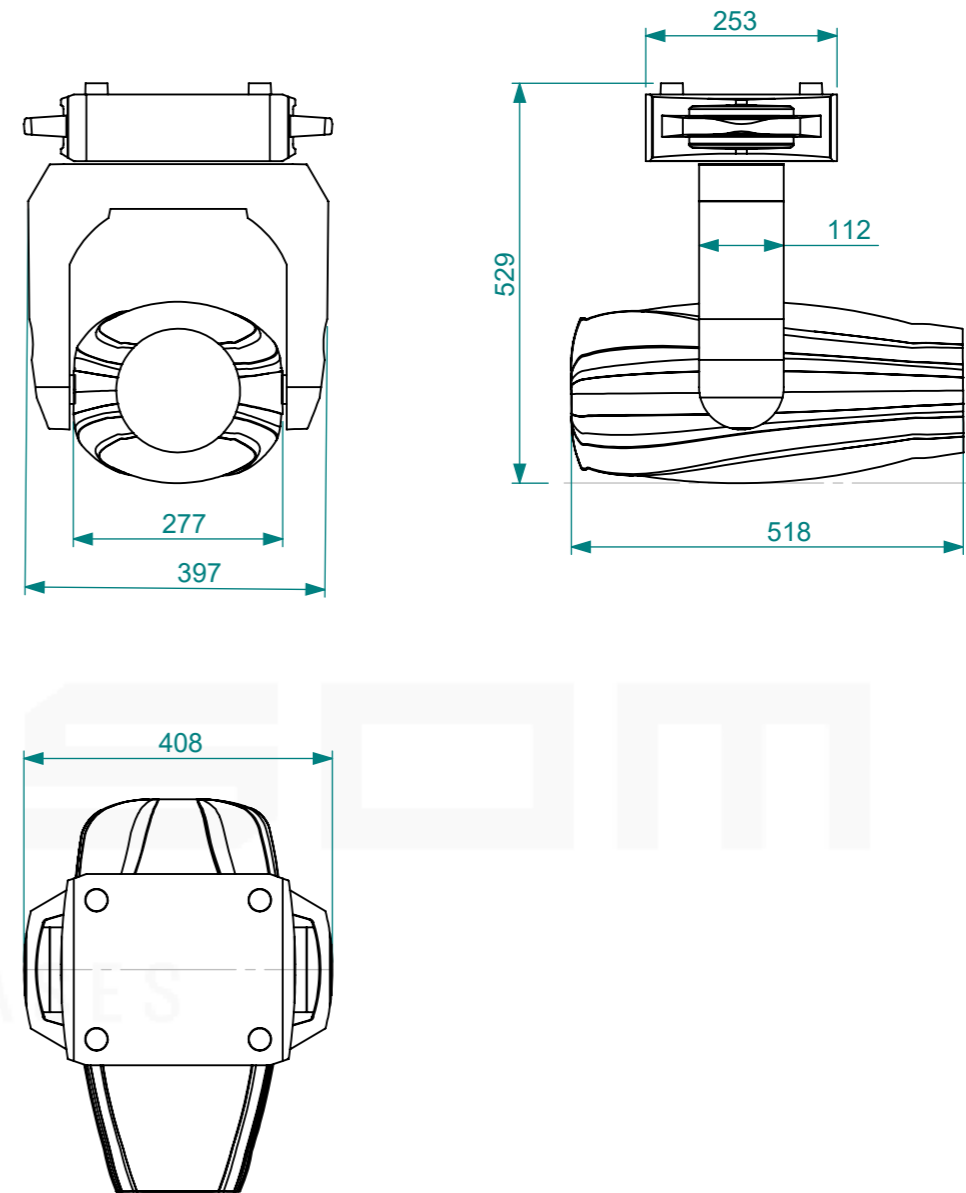
A3





Elation Fuze Profile

Equipment weight.: 25 Kg



Drawn by	Name	Date
projects	projects	22/07/2023
Reference	MHEAD.882	
Scale	units in mm	general tolerance
1:20	DO NOT SCALE	0.8mm
1st Angle projection	Flight case PRO. 2x Elation Fuze Profile	



This drawing must not be copied or disclosed without consent of the owner

A3