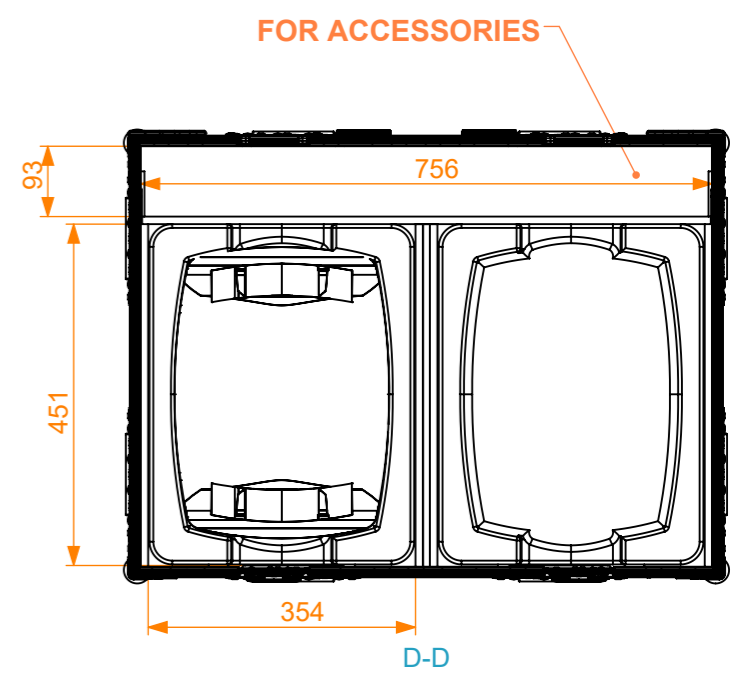
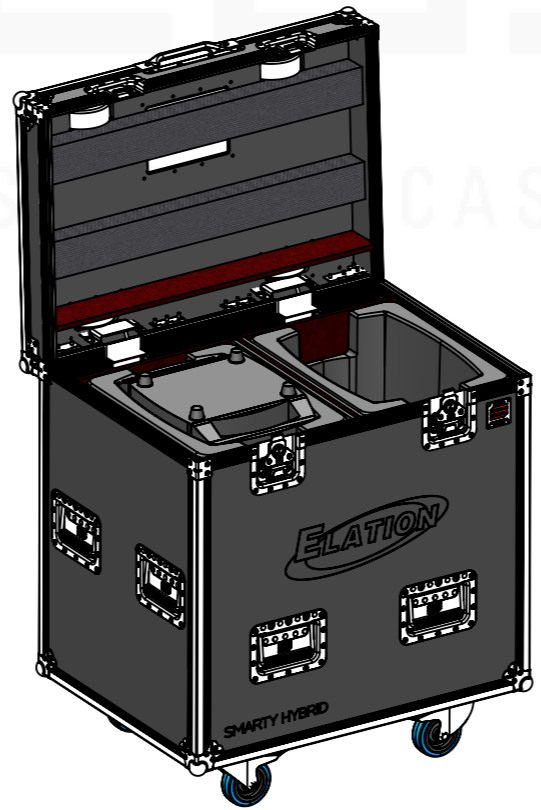
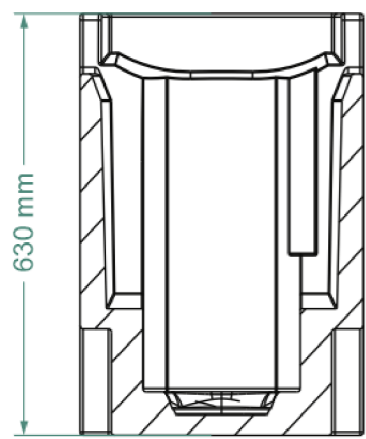
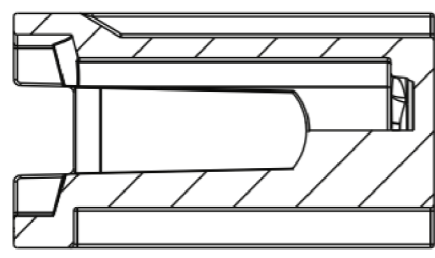
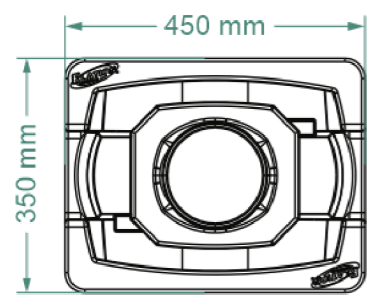
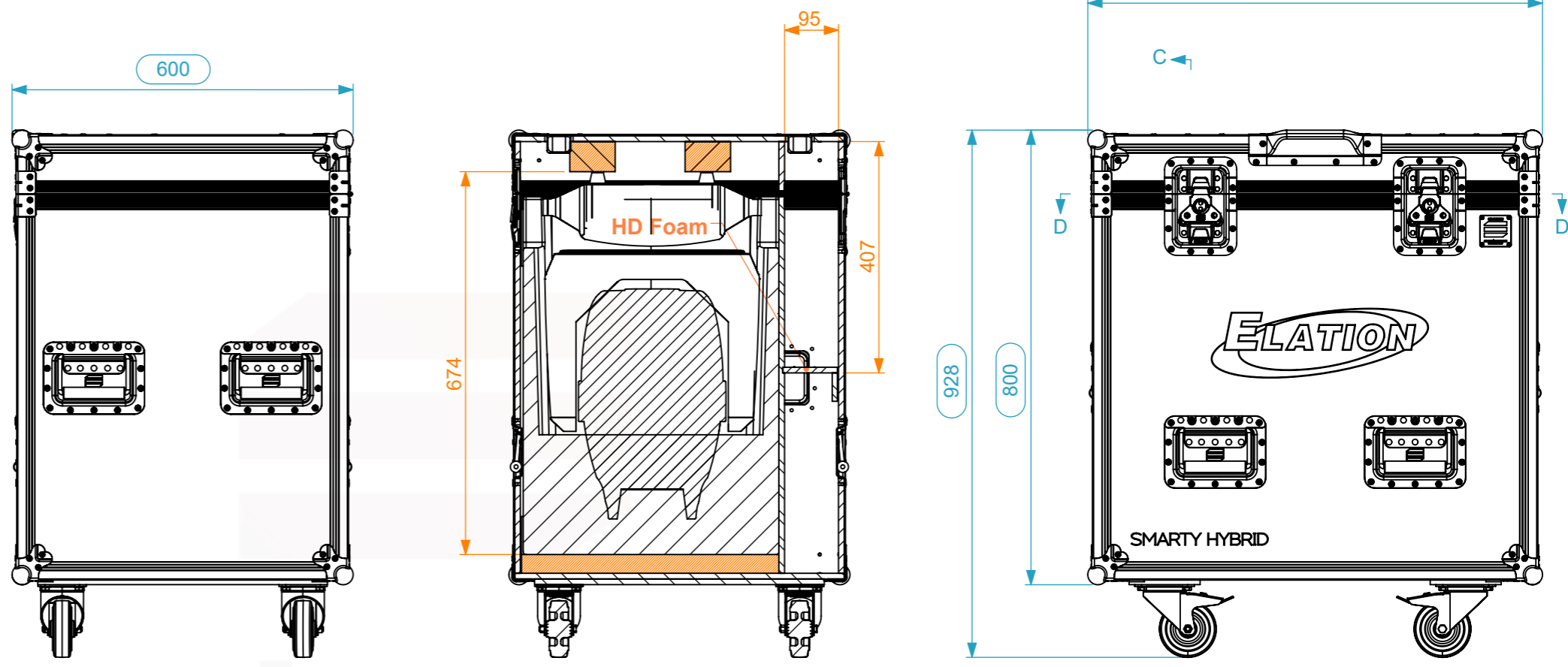


Equipment			SMARTY HYBRID		
Width	Depth	Height			
385	405	610			
Internal Dimensions					
Width	Depth	Height			
596	556	710			
Weight	Approx. 54.05 Kg				
Wall Thickness					10mm

General External Dimensions		Usable Inner Dimensions	
W	Width	Wi	Inside Width
D	Depth	Di	Inside Depth
H	Height	Hi	Inside Height



EQUIPMENT WEIGHT.: 22.2 Kg

This drawing must not be copied or disclosed without consent of the owner

Name	Date	
CarlaSilva	23/01/2020	
Reference	MHEAD.878S	
Scale	units in mm	general tolerance
1:10	DO NOT SCALE	0.8mm
1st Angle projection		
Flight Case, 2x Elation SMARTY HYBRID (No Foam shell)		

