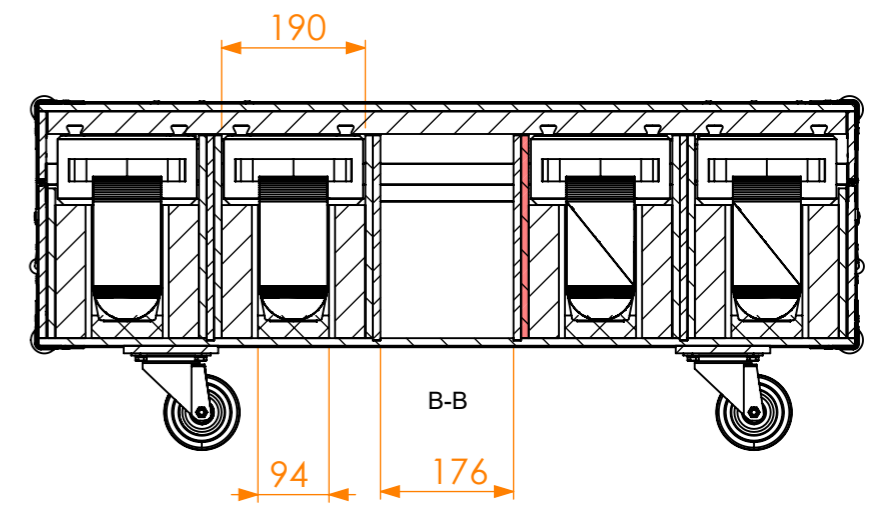
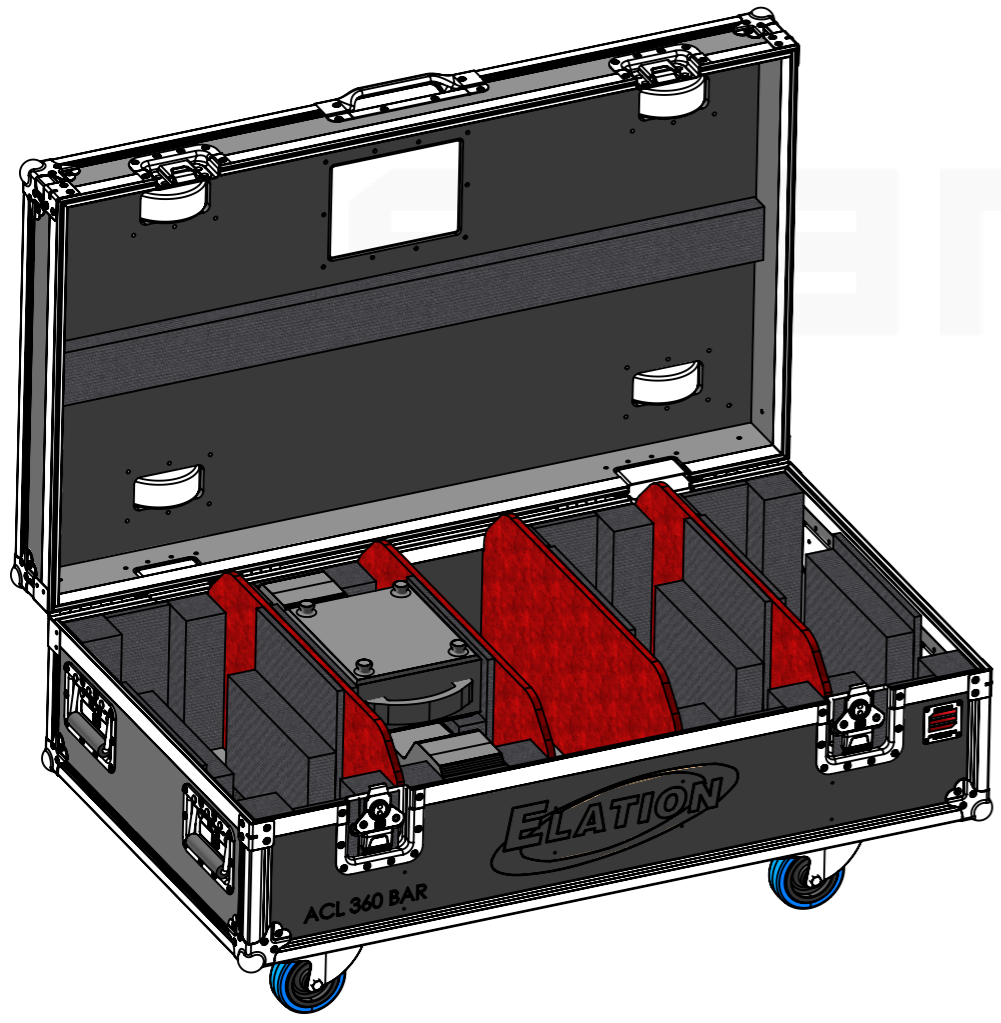
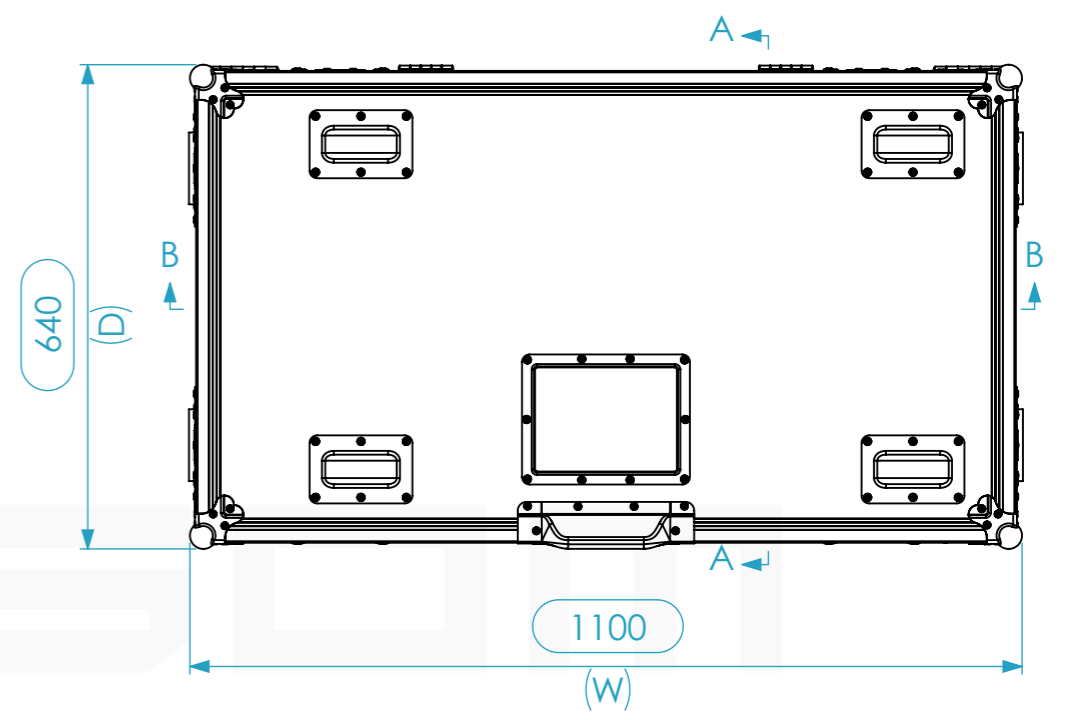
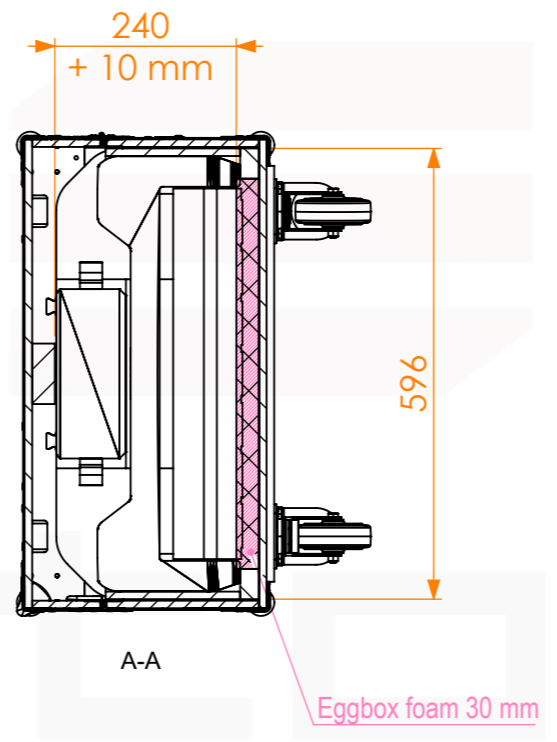
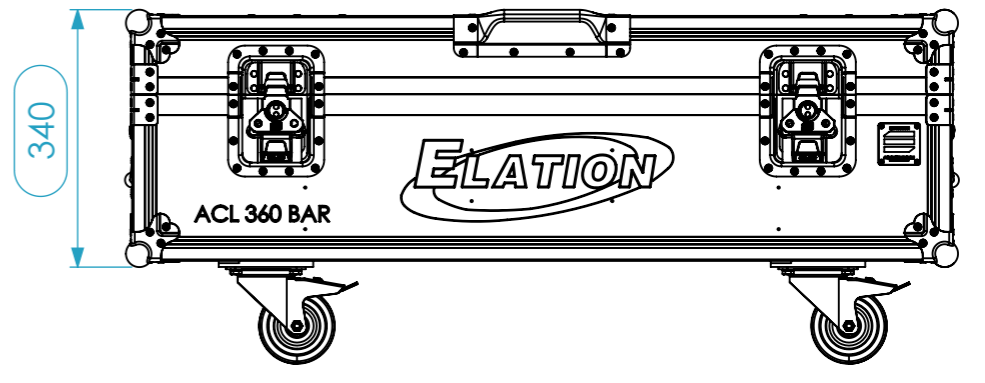
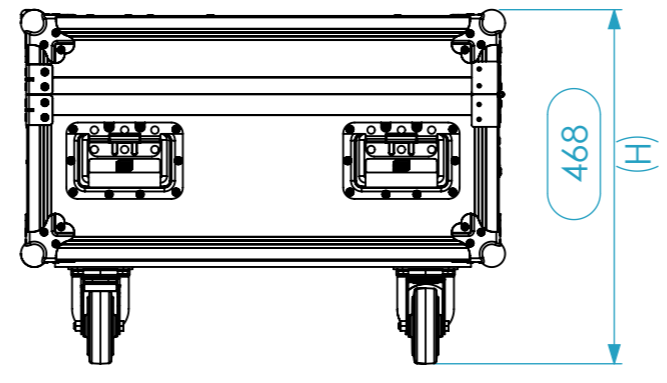
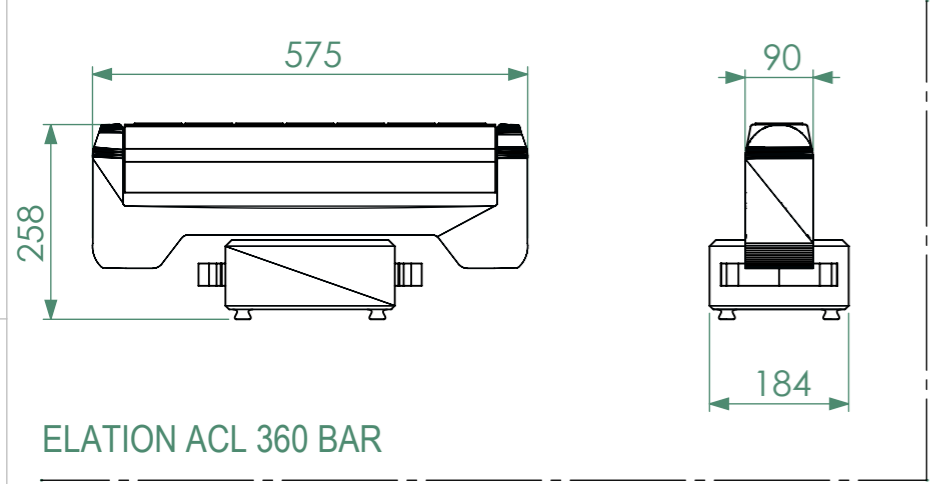


<b>Equipment</b>	ELATION ACL 360 BAR	
<b>Width</b>	<b>Depth</b>	<b>Height</b>
575	184	257
<b>Internal Dimensions</b>		
<b>Width</b>	<b>Depth</b>	<b>Height</b>
1056	596	296
<b>Weight</b>	Approx. 33 Kg	
<b>Wall Thickness</b>	10mm	



General External Dimensions		Usable Inner Dimensions (UID)	
W	Width	Wi	Inside Width
D	Depth	Di	Inside Depth
H	Height	Hi	Inside Height

Drawn by	Name	Date
CarlaSilva	CarlaSilva	15/04/2019
Reference	MHEAD.859	
Scale	units in mm	general tolerance
1:10	DO NOT SCALE	0.8mm
FLIGHT CASE PRO 4X ELATION ACL 360 BAR		



A3 This drawing must not be copied or disclosed without consent of the owner

