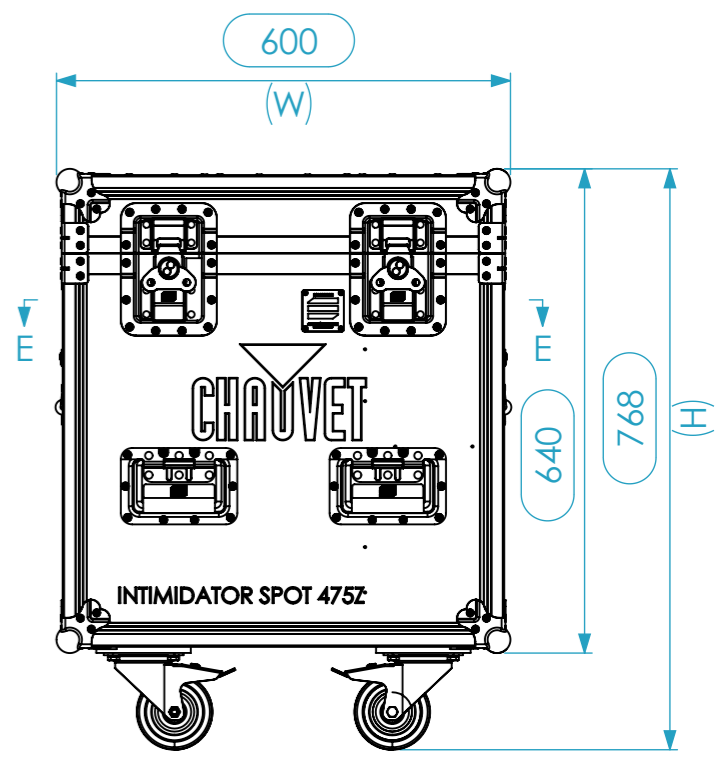
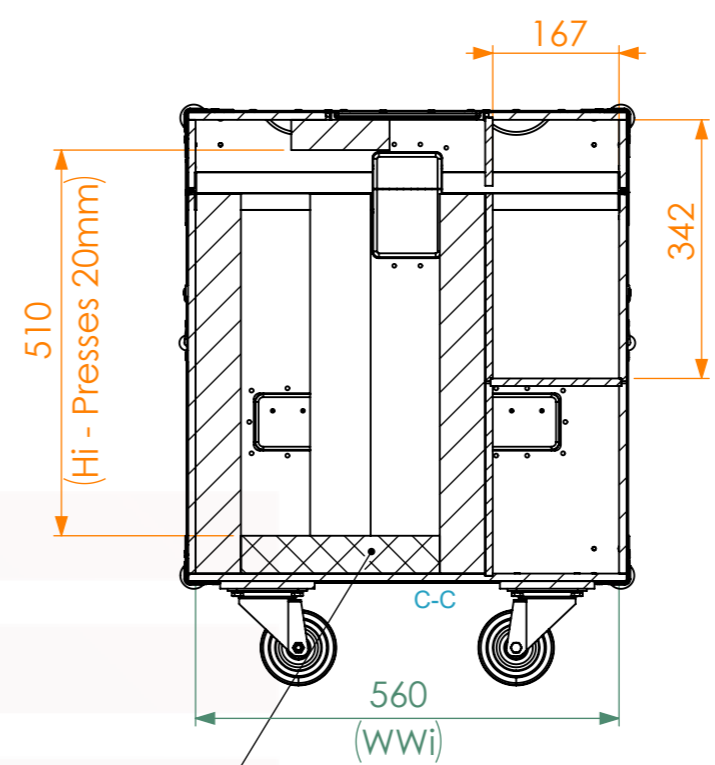
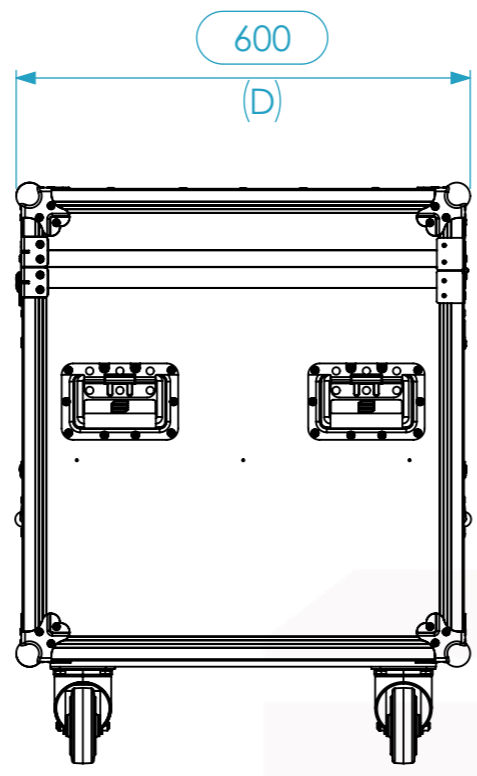
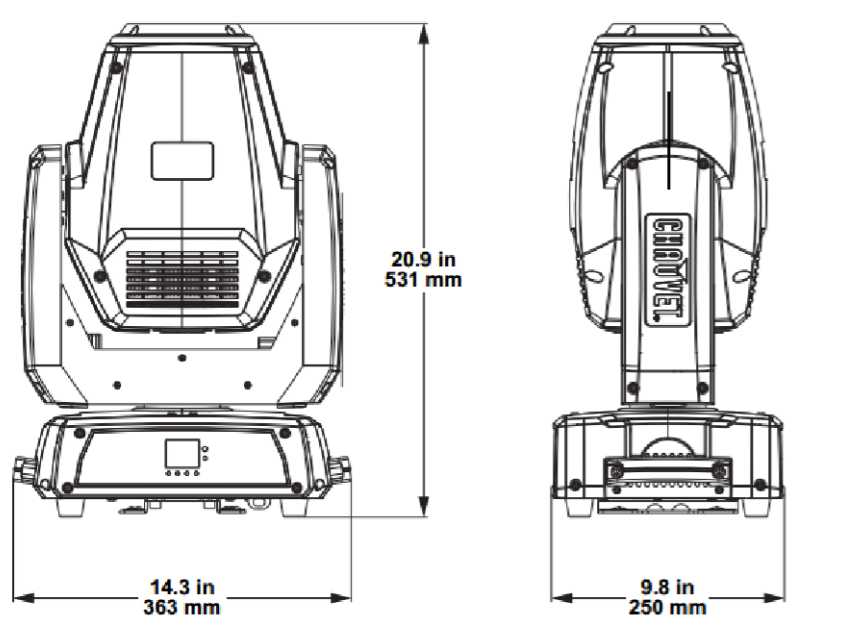
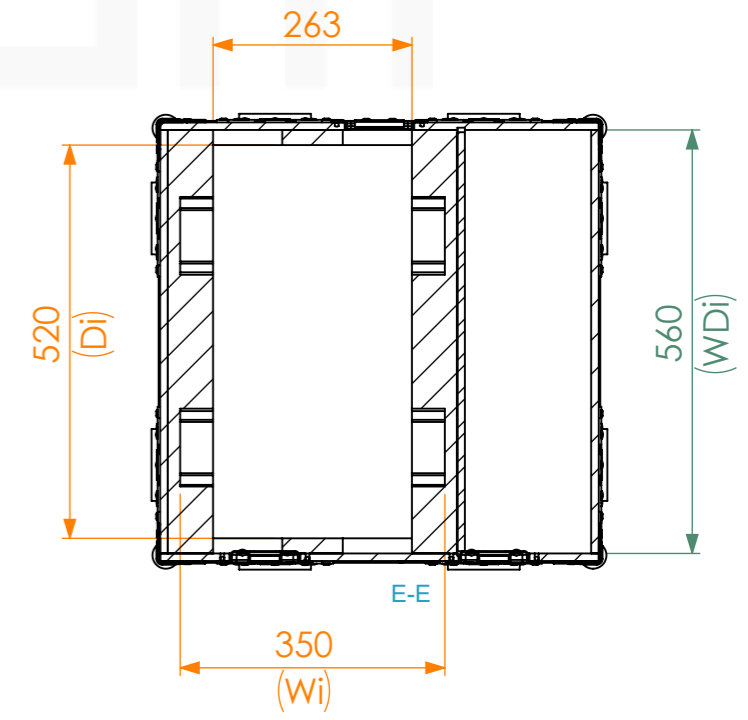
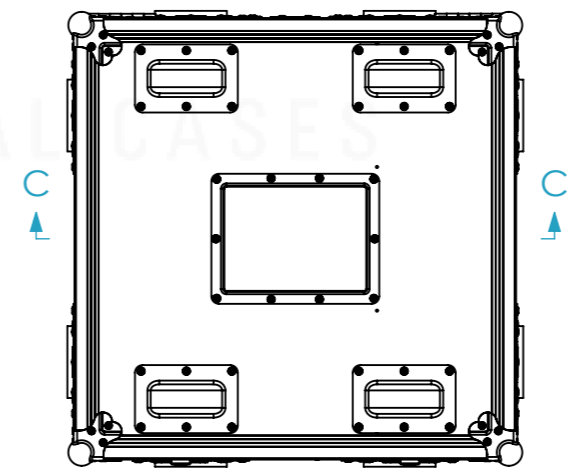
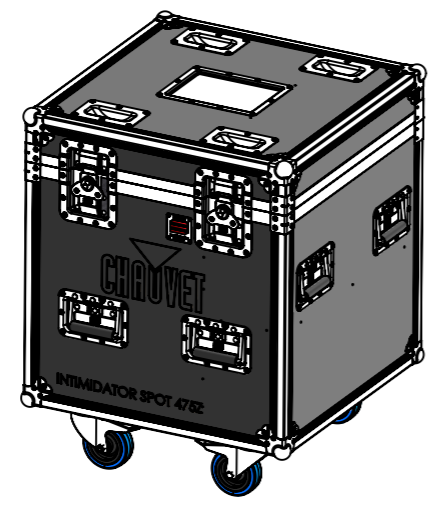
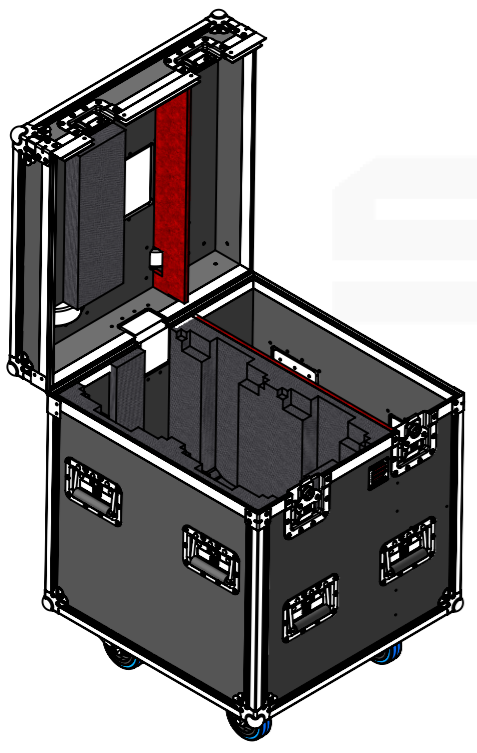


Equipment			CHAUVET INTIMIDATOR 475Z		
Width	Depth	Height			
363	250	531			
Internal Dimensions					
Width	Depth	Height			
556	556	596			
Weight	Approx. 30.41 Kg				
Wall Thickness		10mm			



Pressing Eggbox
Foam
50 mm thick



General External Dimensions		Usable Inner Dimensions		Wood Inner Dimensions	
W	Width	Wi	Inside Width	WWi	Wood Inside Width
D	Depth	Di	Inside Depth	WDi	Wood Inside Depth
H	Height	Hi	Inside Height	WHi	Wood Inside Height

This drawing must not be copied or disclosed without consent of the owner

Name	Date
Drawn by CatarinaHenriques	30/05/2019
Reference	MHEAD.832
Scale	1:10
units in mm	general tolerance 0.8mm
DO NOT SCALE	
FC PRO	
2X CHAUVET INTIMIDATOR HYBRID 140SR	

