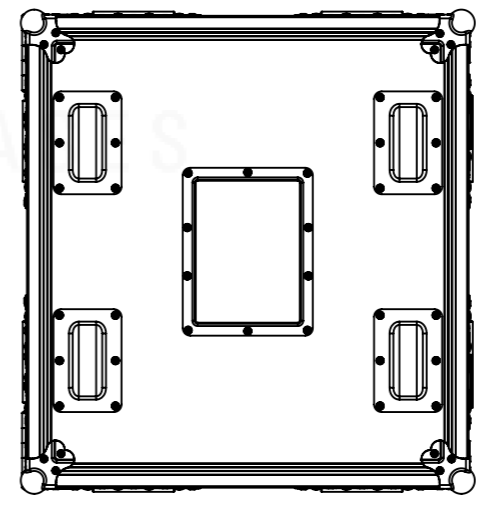
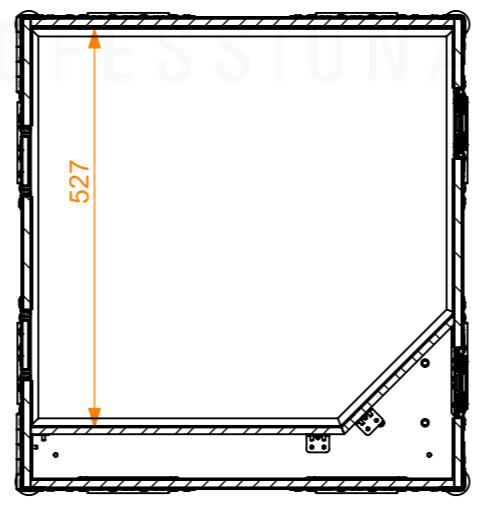
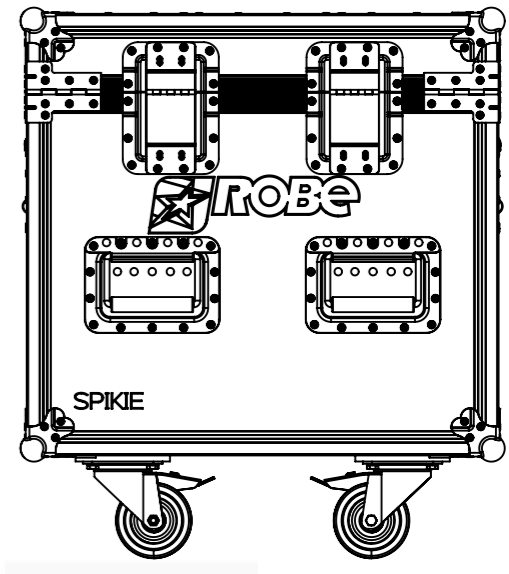
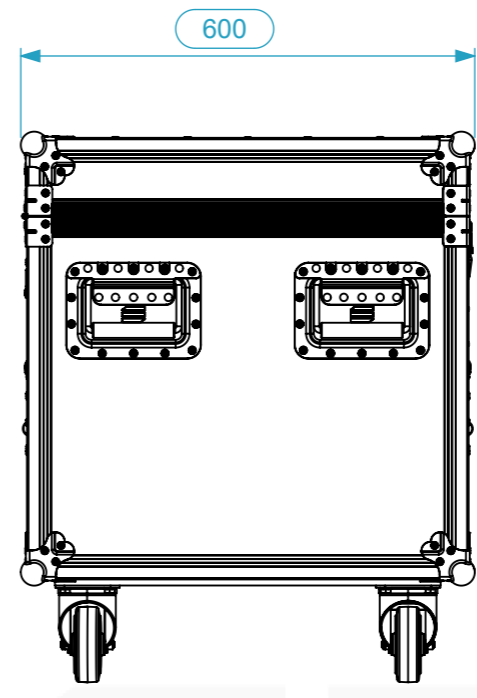
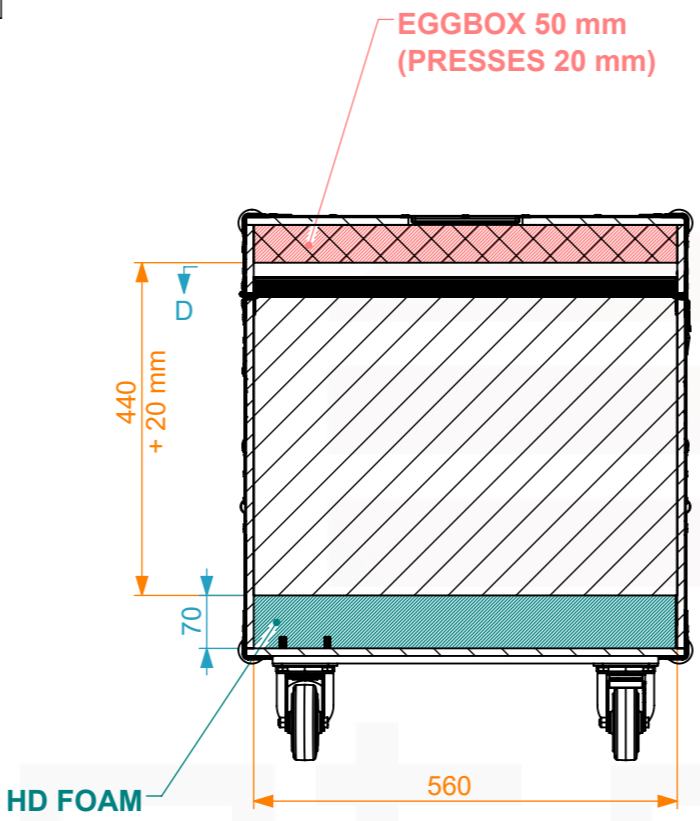
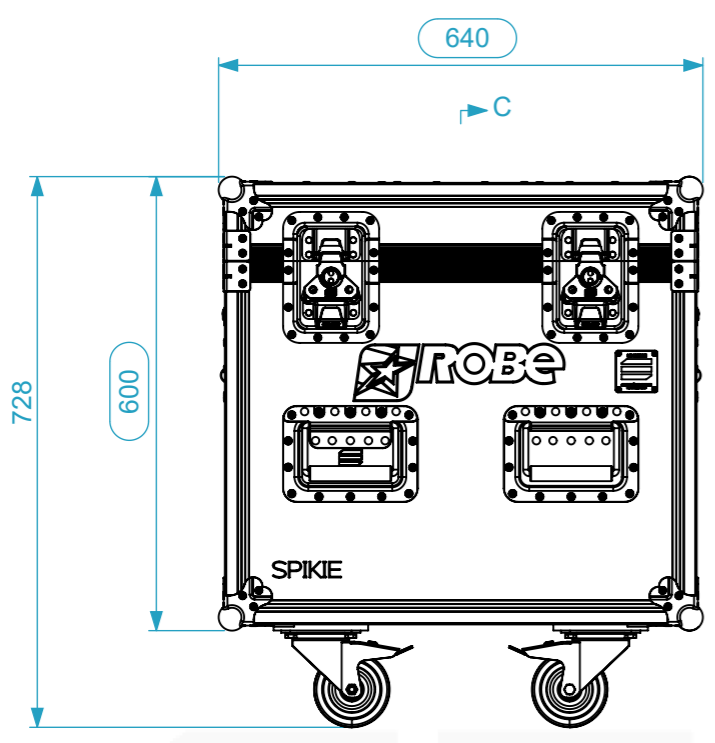


Equipment	SPIKIE Foam Shell	
Width	Depth	Height
525	560	395
Internal Dimensions		
Width	Depth	Height
527	560	460
Weight	Approx. 31.57 Kg	
Wall Thickness	10mm	

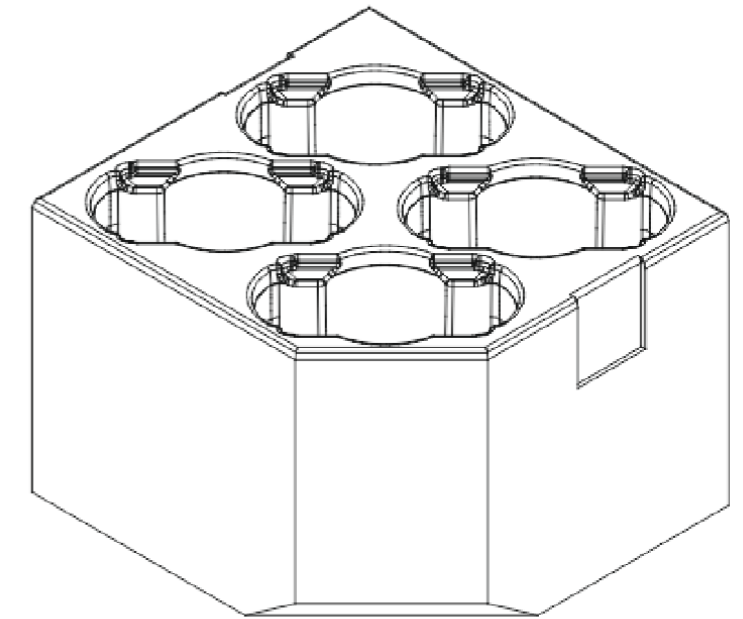
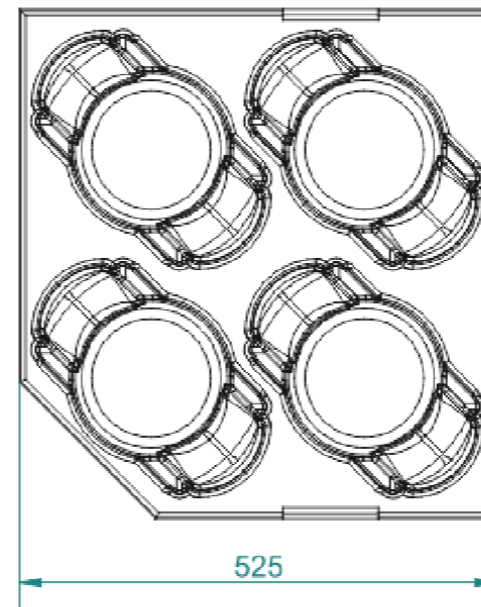
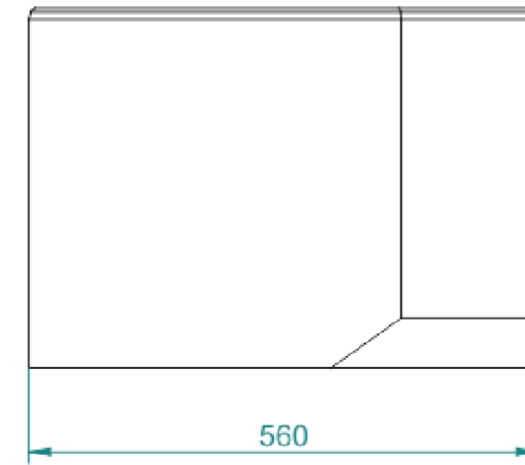
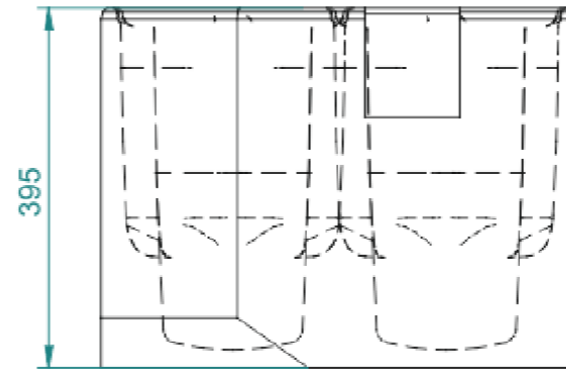
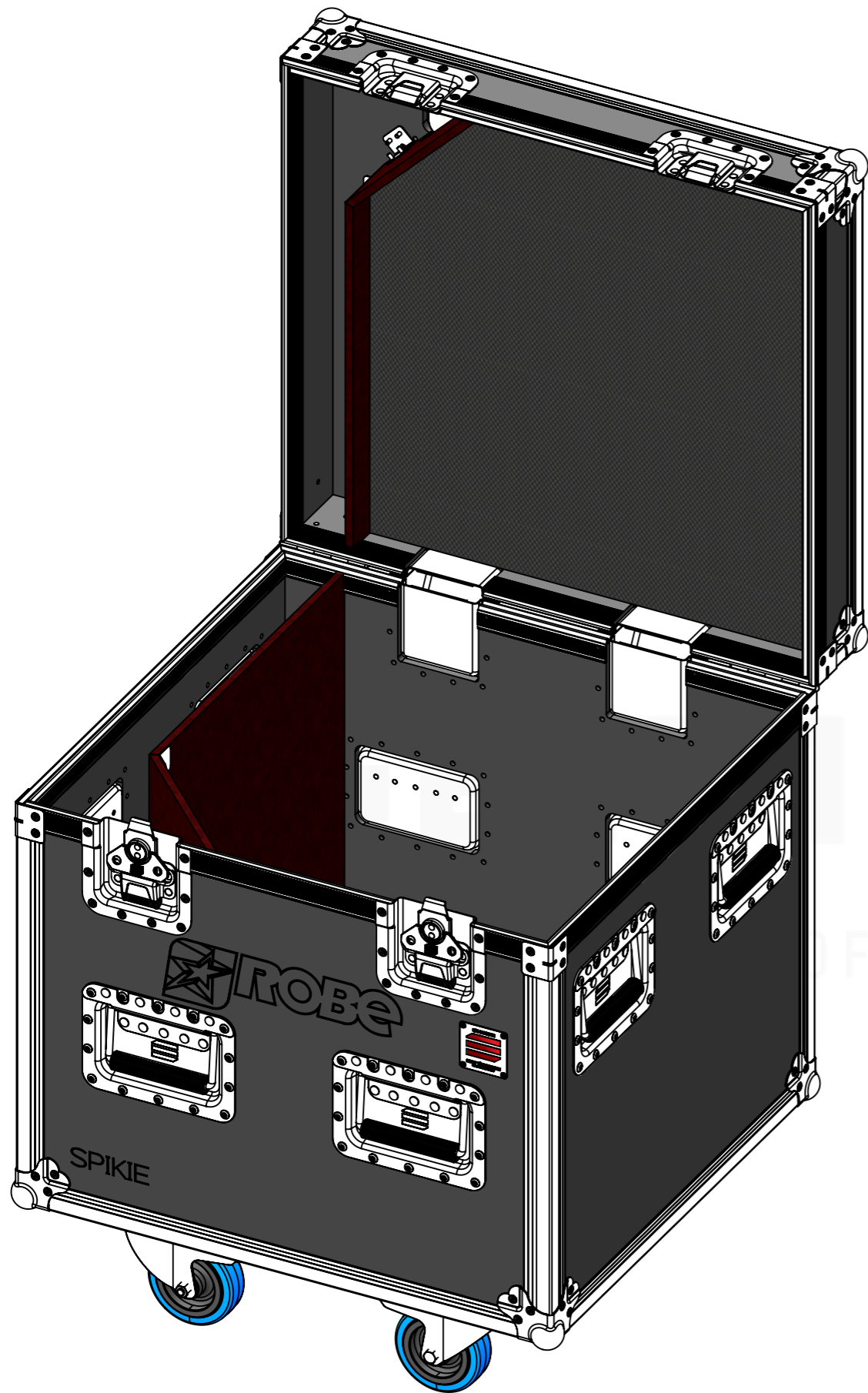


Name	CarlaSilva	Date	03/02/2020
Reference	MHEAD.847S		
Scale	1:10	units in mm	general tolerance 0.8mm
1st Angle projection	Flight case PRO, 4x Robe SPIKIE		



This drawing must not be copied or disclosed without consent of the owner

A3



PROFESSIONAL CASES

	Name	Date
Drawn by	CarlaSilva	03/02/2020
Reference	MHEAD.847S	
Scale	units in mm	general tolerance
	1:6	0.8mm
Flight case PRO, 4x Robe SPIKIE		



This drawing must not be copied or disclosed without consent of the owner



A3