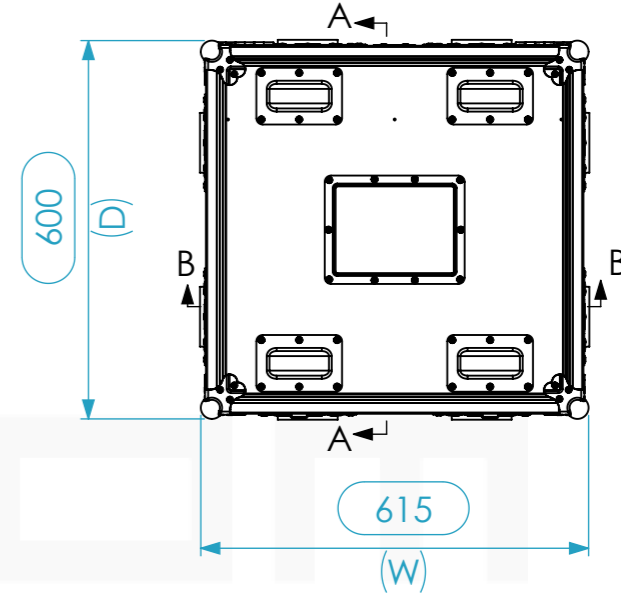
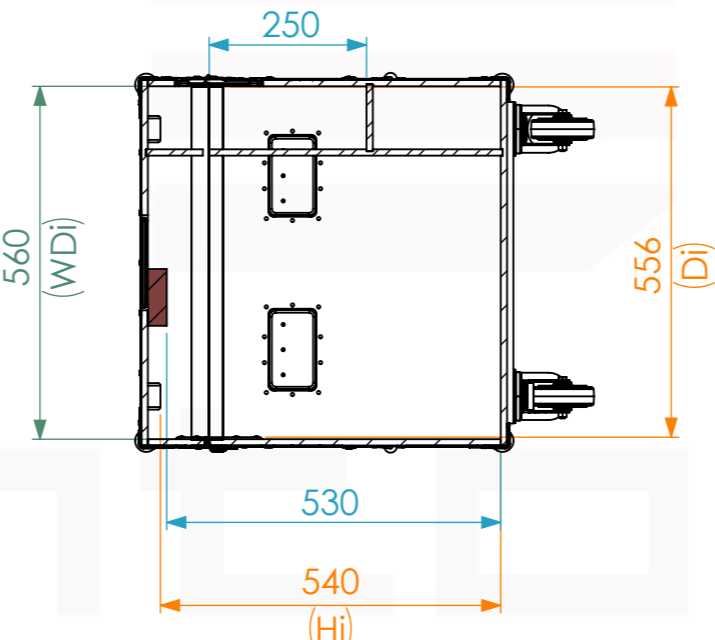
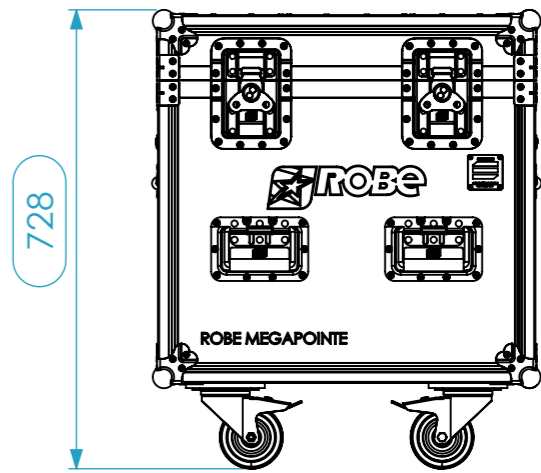
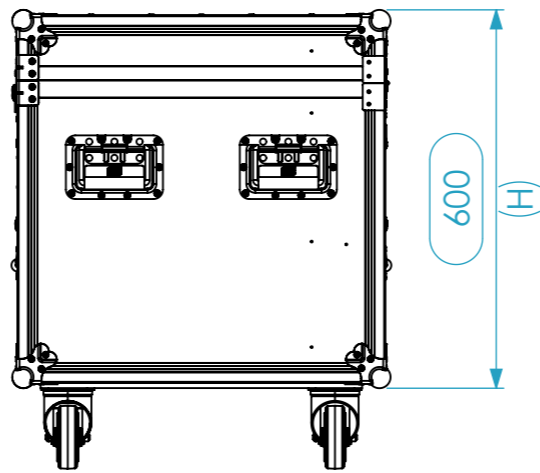
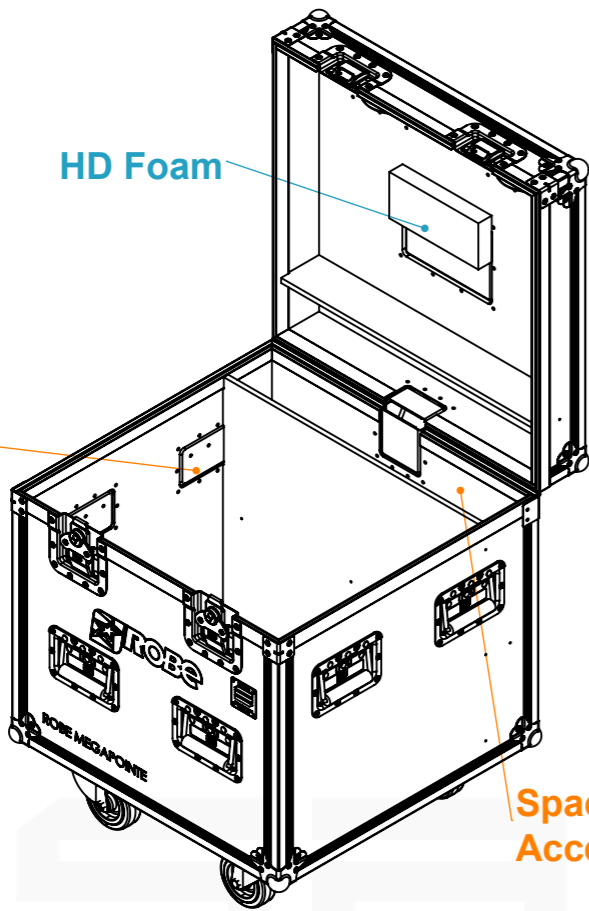
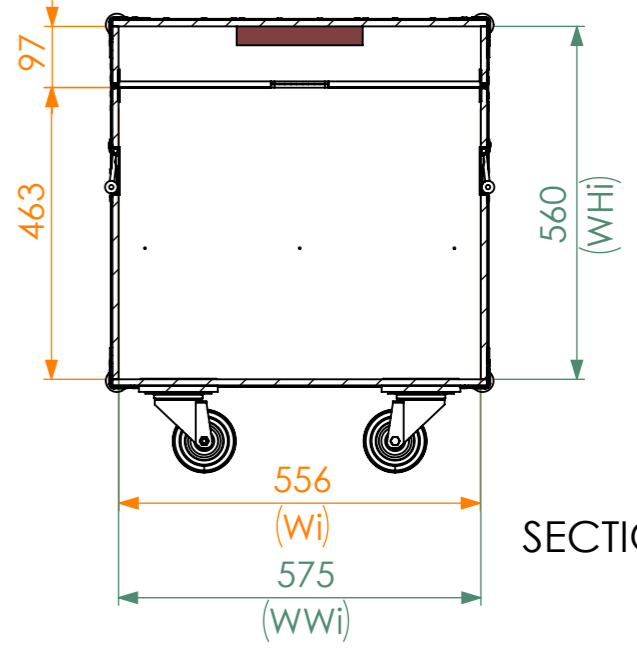
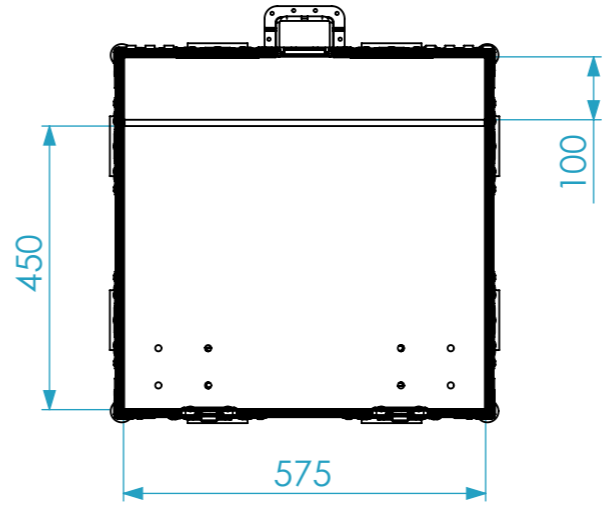
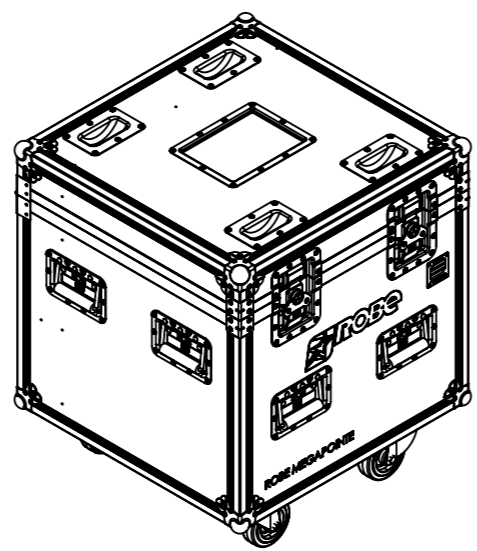
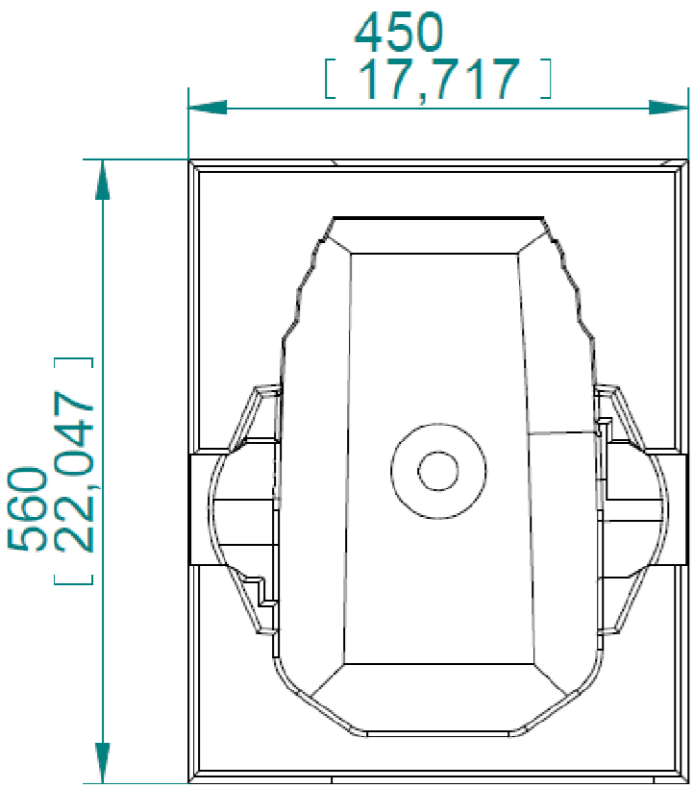


Internal Dimensions		
Width	Depth	Height
571	556	540
Weight	Approx. 29 Kg	
Wall Thickness		10mm

General External Dimensions	
W	Width
D	Depth
H	Height
Usable Inner Dimensions (UID)	
Wi	Inside Width
Di	Inside Depth
Hi	Inside Height
Wood Inner Dimensions (WID)	
WWi	Wood Inside Width
WDi	Wood Inside Depth
WHi	Wood Inside Height



SECTION A-A



SECTION B-B

Name	Date
Drawn by: jorgepacheco	18/07/2018
Reference: MHEAD.841S	
Scale: 1:12	units in mm, general tolerance 0.8mm
FC PRO. ROBE MEGAPOINTE RODAS	



This drawing must not be copied or disclosed without consent of the owner



A3