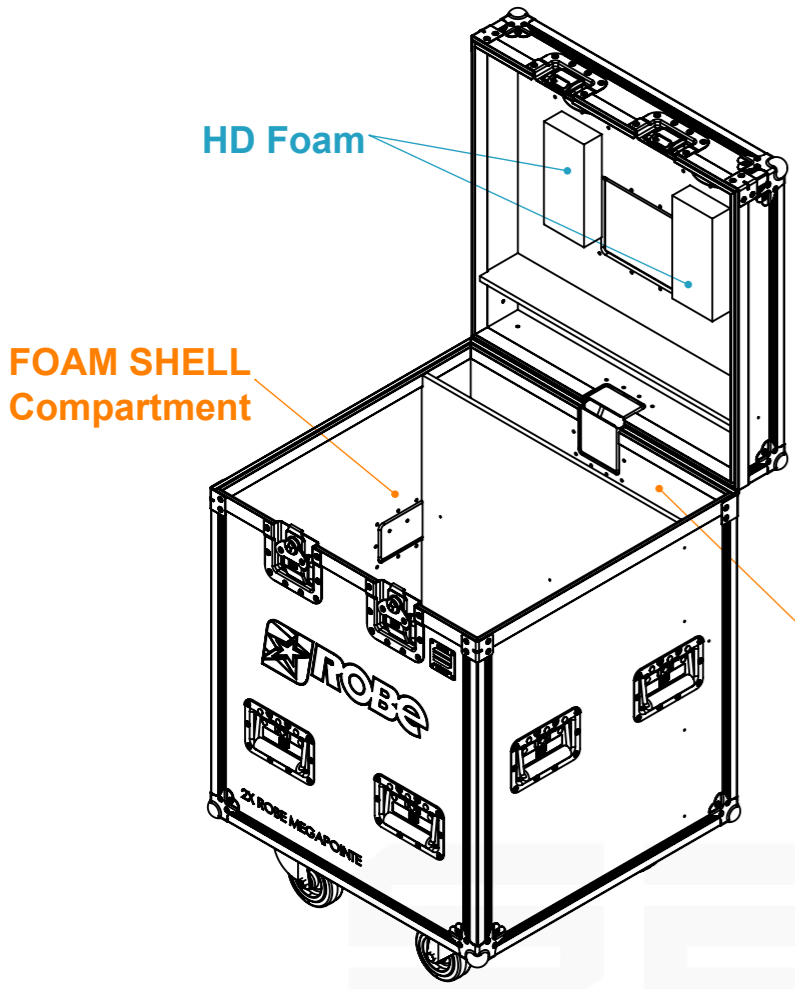
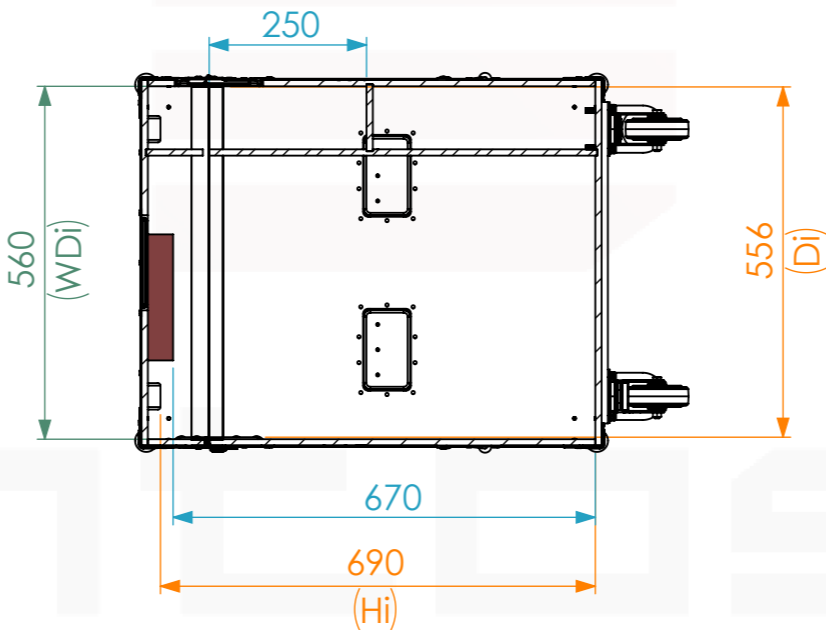
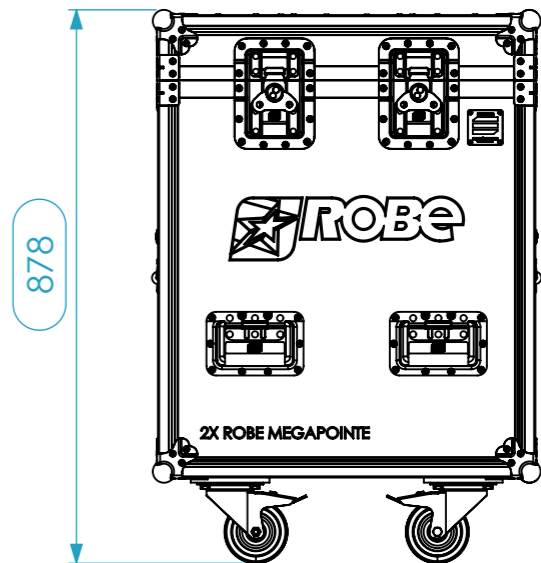
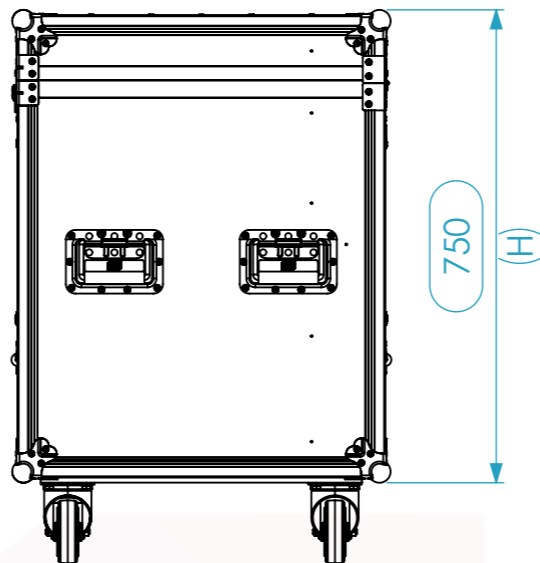


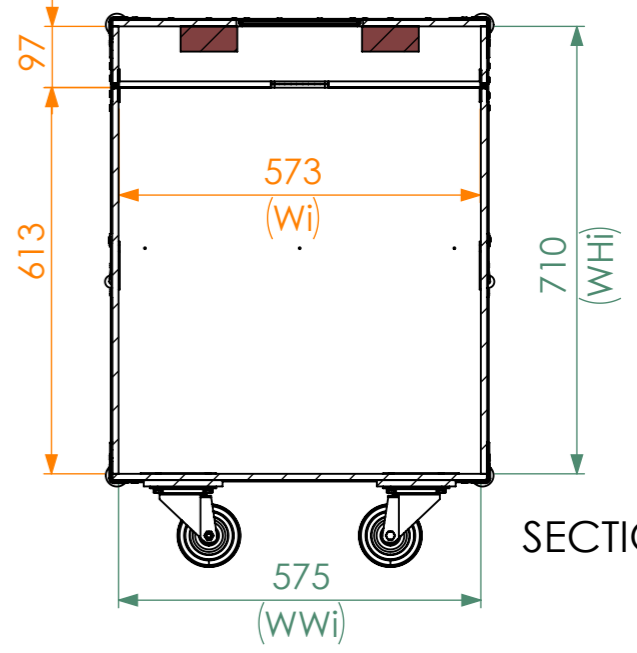
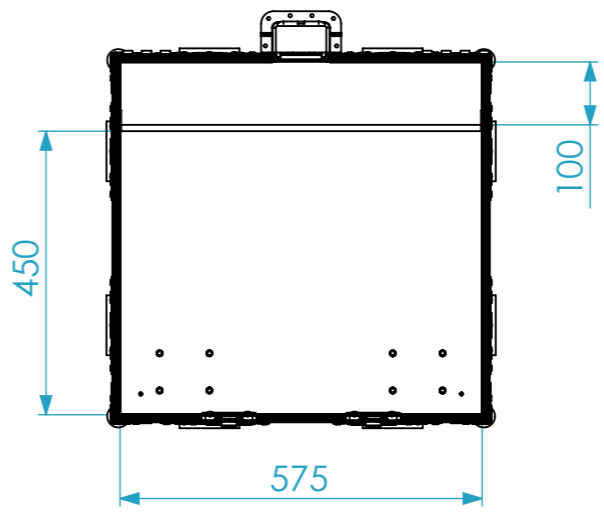
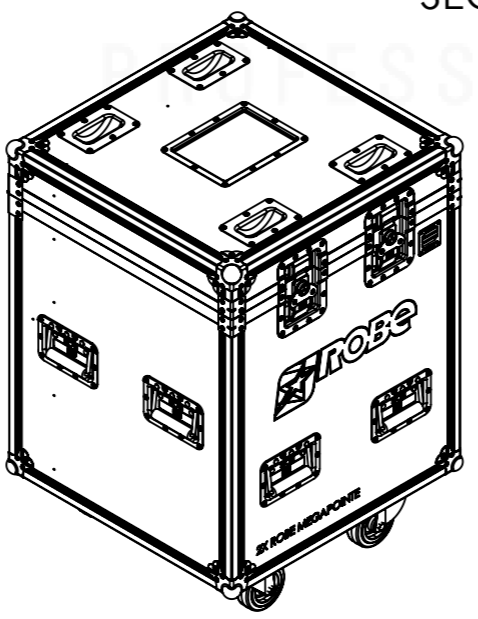
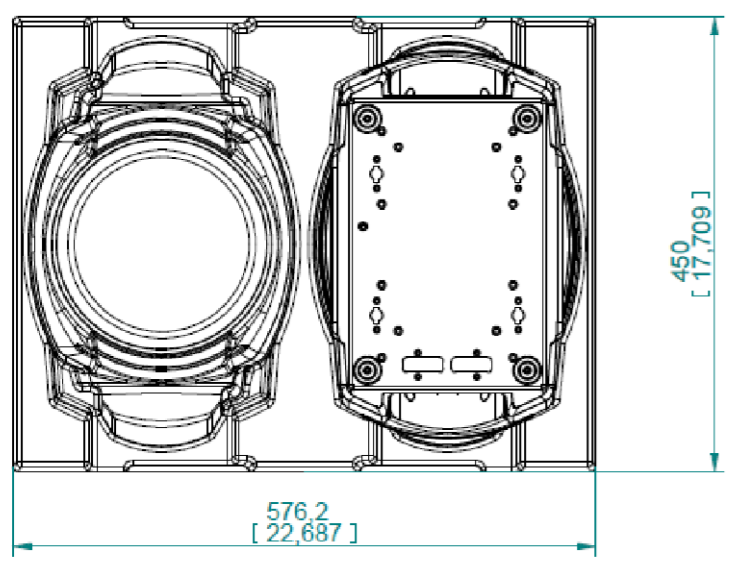
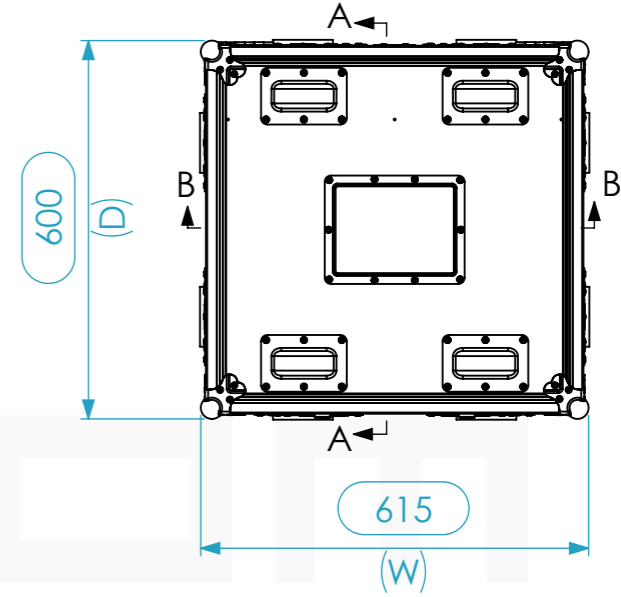
Internal Dimensions		
Width	Depth	Height
571	556	690
Weight	Approx. 32 Kg	
Wall Thickness		10mm



Space for Accessories



SECTION A-A



SECTION B-B

General External Dimensions		Usable Inner Dimensions (UID)		Wood Inner Dimensions (WID)	
W	Width	Wi	Inside Width	WWi	Wood Inside Width
D	Depth	Di	Inside Depth	WDi	Wood Inside Depth
H	Height	Hi	Inside Height	WHi	Wood Inside Height

A3 This drawing must not be copied or disclosed without consent of the owner

Name	CarlaSilva	Date	27/01/2020
Reference	MHEAD.840S		
Scale	1:12	units in mm	general tolerance 0,8mm
1st Angle projection	FC PRO, 2X ROBE MEGAPOINTE RODAS		

