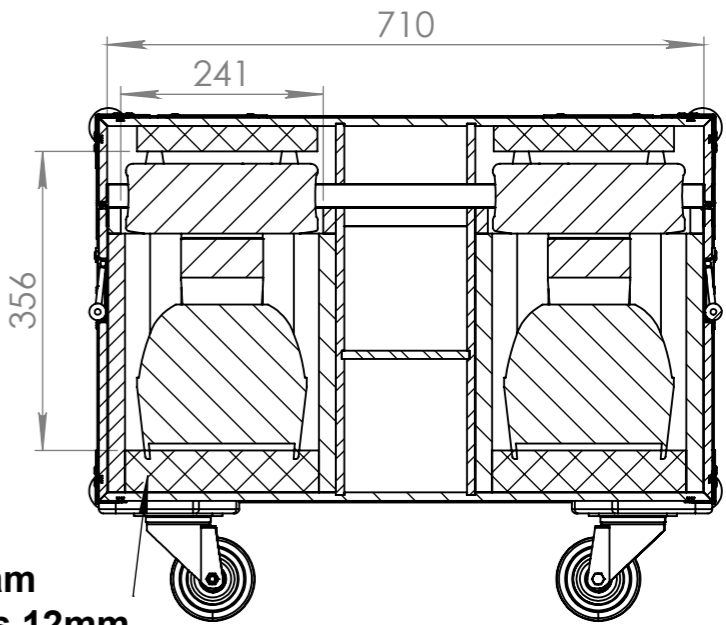
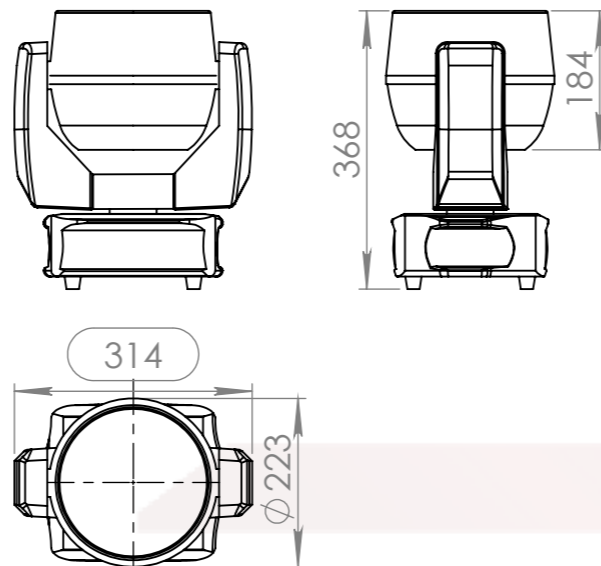


Equipment	STARWAY Servo Color 4K	
Width	Depth	Height
314	223	368
Internal Dimensions		
Width	Depth	Height
706	356	436
Weight	Approx. 25 Kg	
Wall Thickness	10mm	

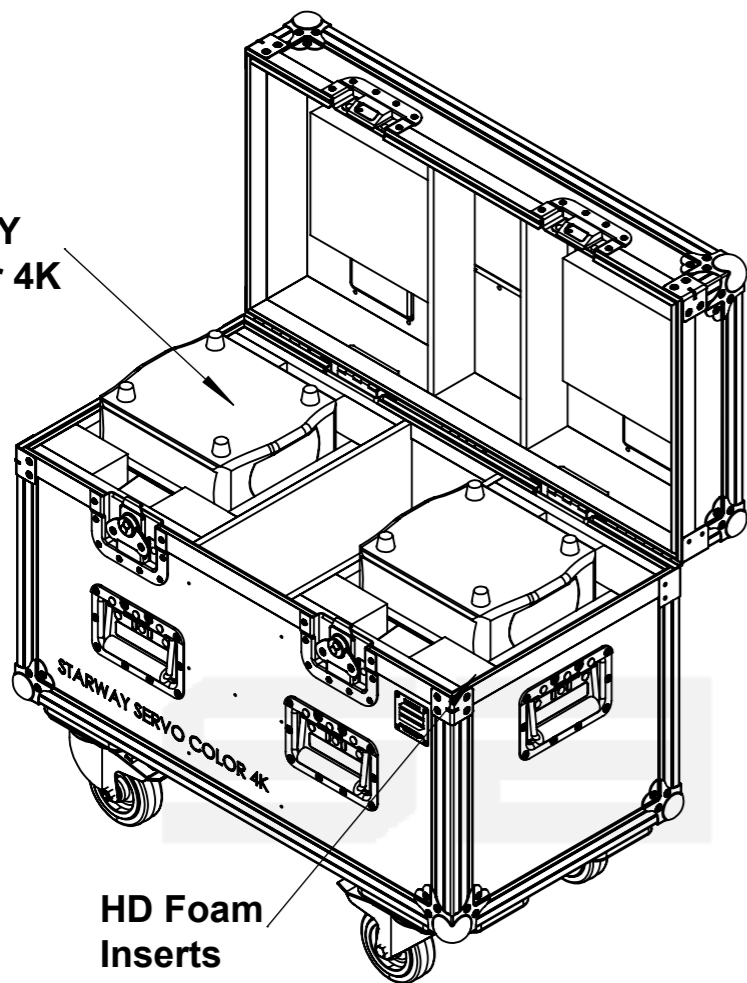
STARWAY SERVO COLOR 4K



Pressing Eggbox Foam
30mm thick - presses 12mm

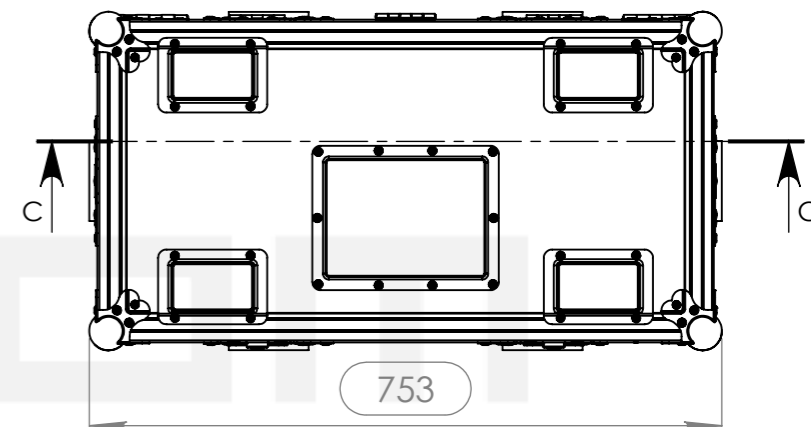
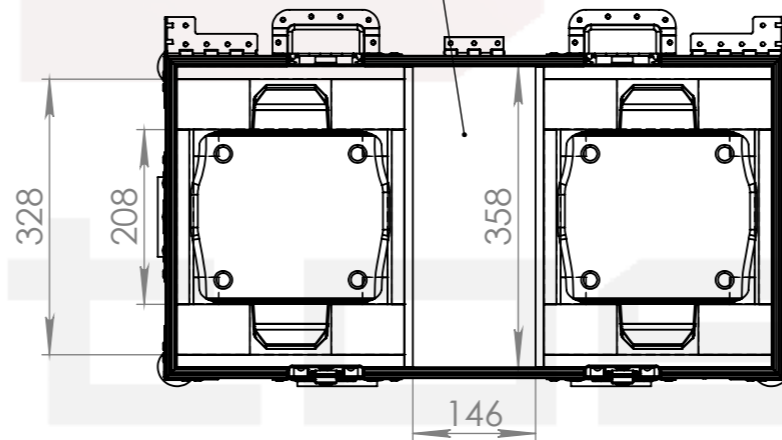
SECTION C-C

STARWAY Servo Color 4K

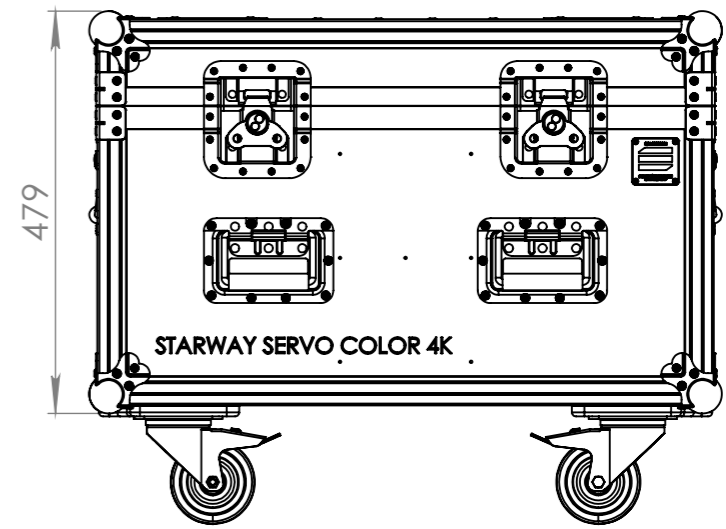
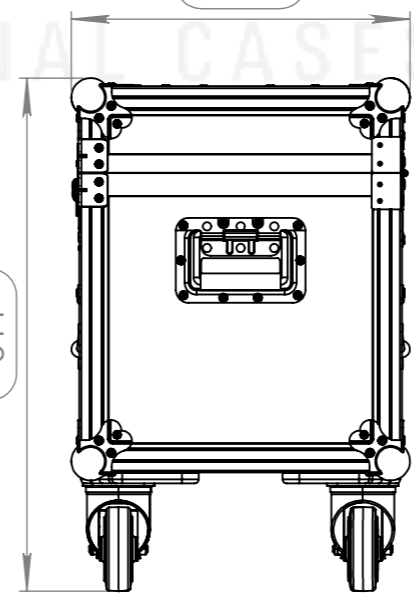


HD Foam Inserts

Compartment for accessories



403



Hardware		
Qty	Ref.	Description
4	40403	Large corner bracket f. 35mm case angle
8	410429	Ball Corner large three-leg cranked 35 mm 9 holes
6	34082	Recessed Sprung Handle Medium
1	CHAPA.1000	Identification Plate
1	88001D	Dish for 88001 Tour Label
2	172531	Large butterfly V3 with 'push-back' function
4	38082	Castor dish deep zinc plated
2	270736	Short recessed lidstay cranked
2	RODA.100	Swivel castor Ø100 mm
2	RODA.100T	Swivel castor Ø100mm with brake
2	DCR110	Combination of Hinge and 2 Corner Braces
1	2602	Medium duty butt hinge z./p.

This drawing must not be copied or disclosed without consent of the owner

Name	Date
projects	21/04/2017
Reference	MHEAD.814
Scale	1:9
units in mm	general tolerance 0.8mm
DO NOT SCALE	



A3



FLIGHTCASE, 2X STARWAY SERVO COLOR 4K, ROULETTES