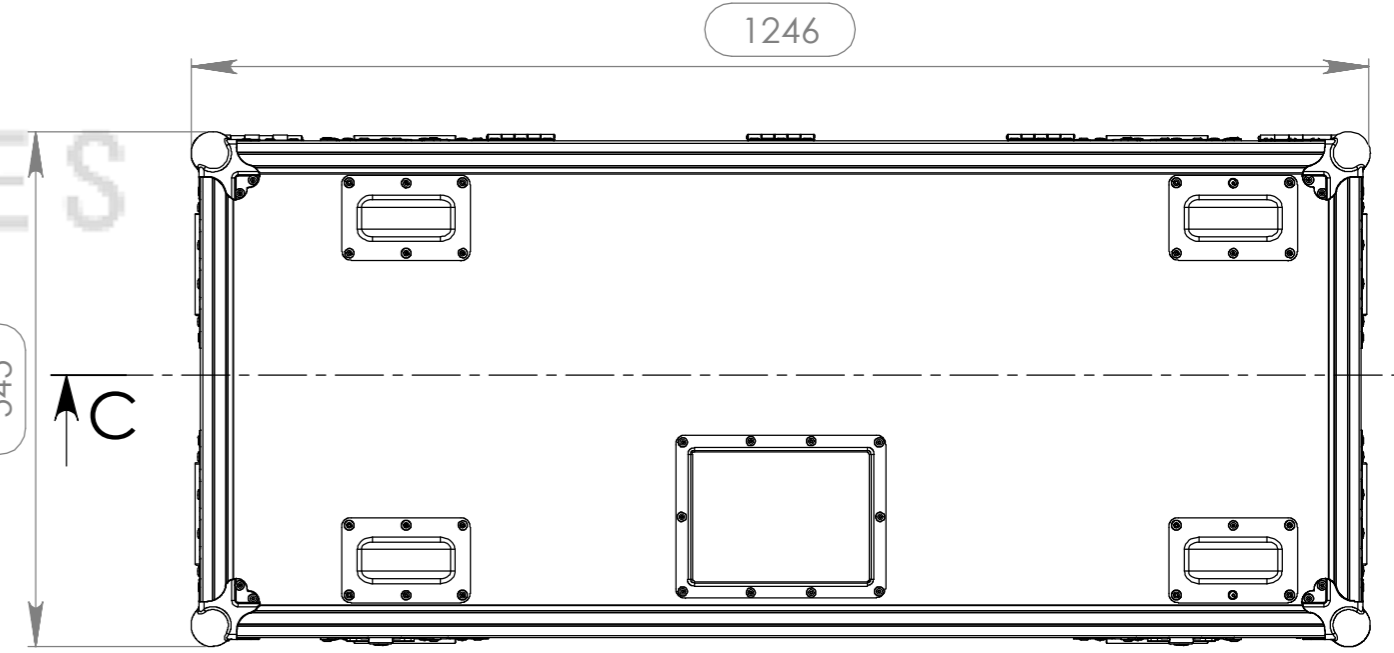
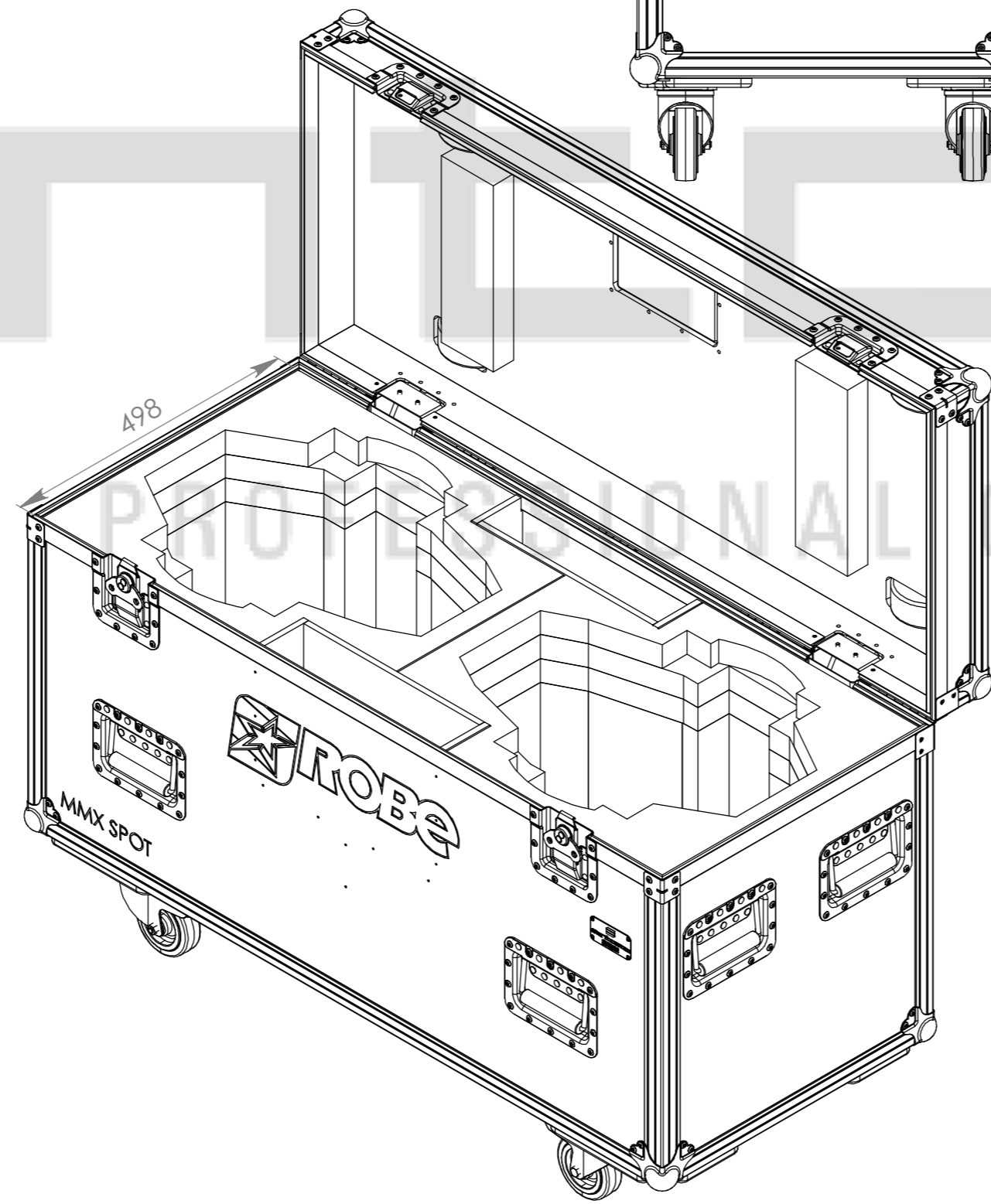
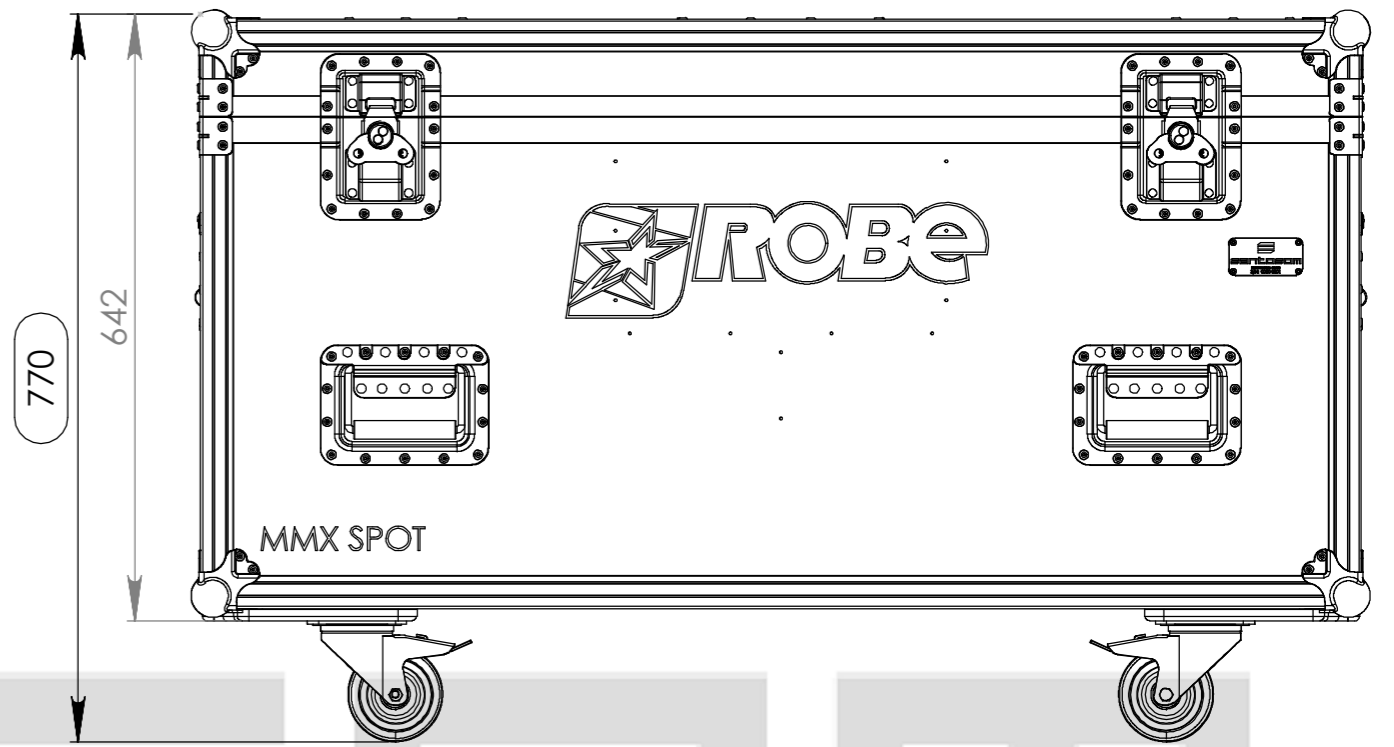
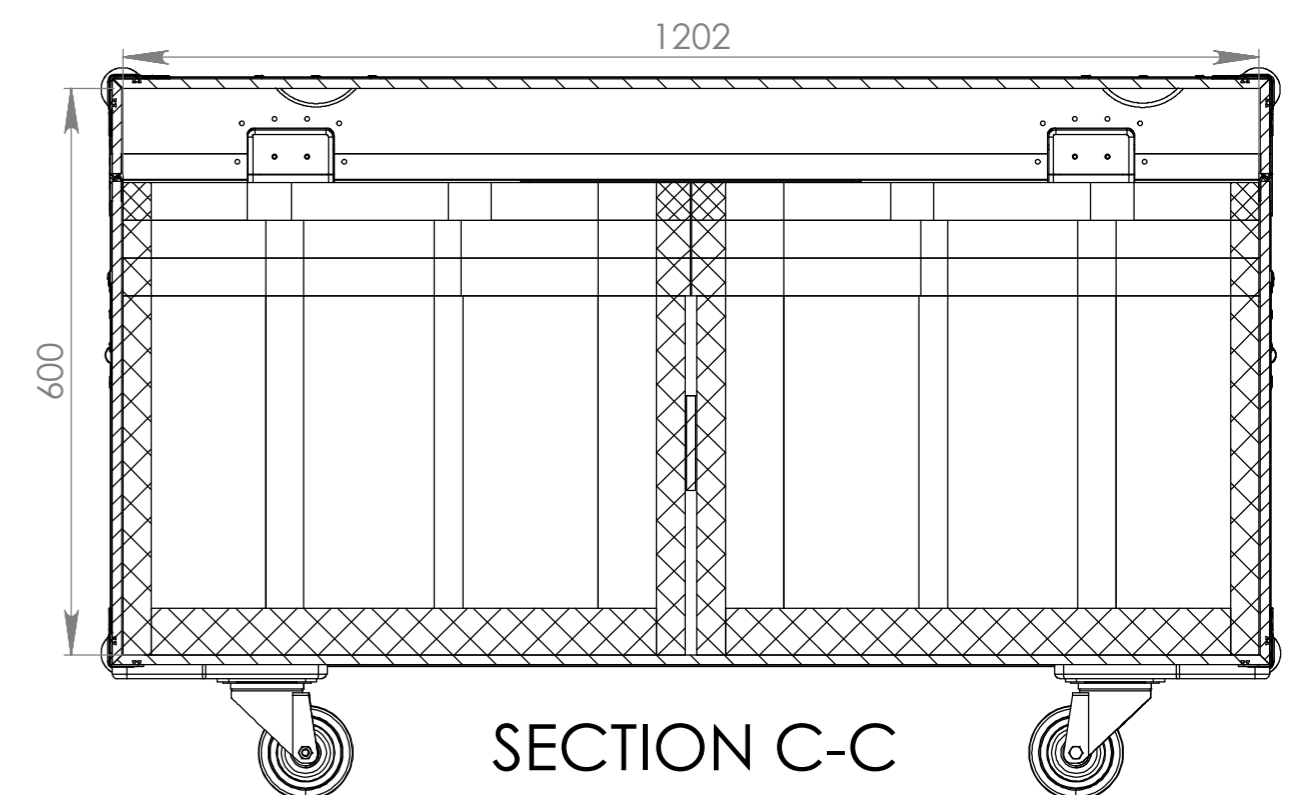
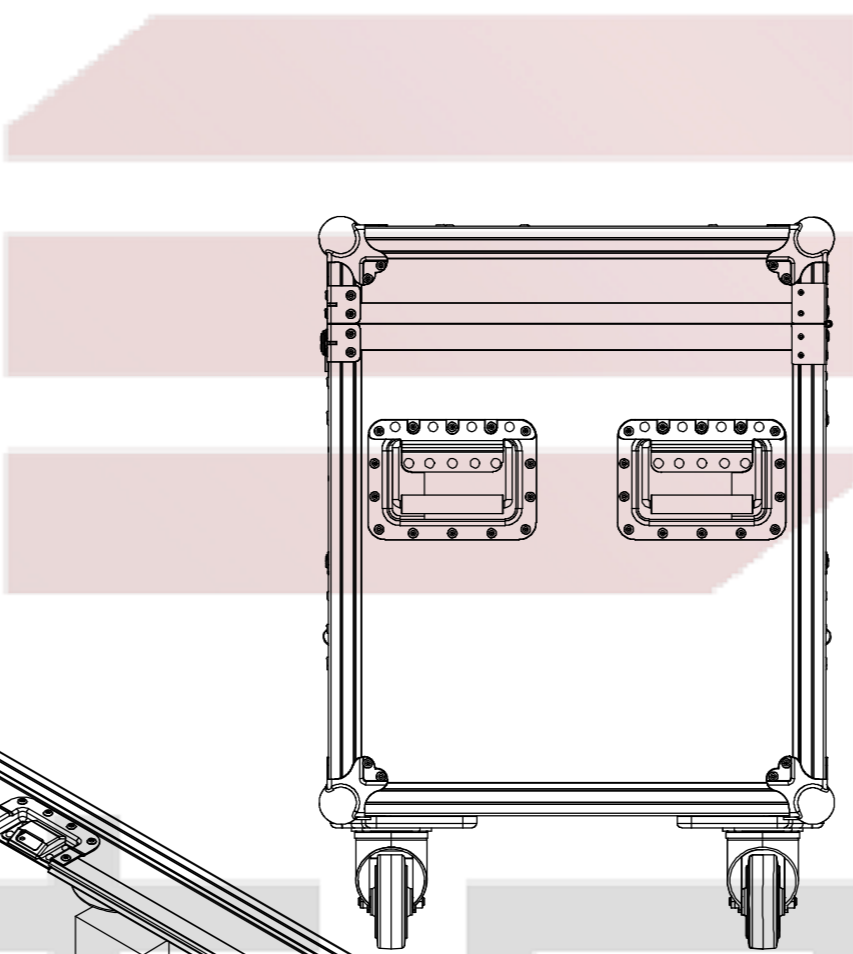
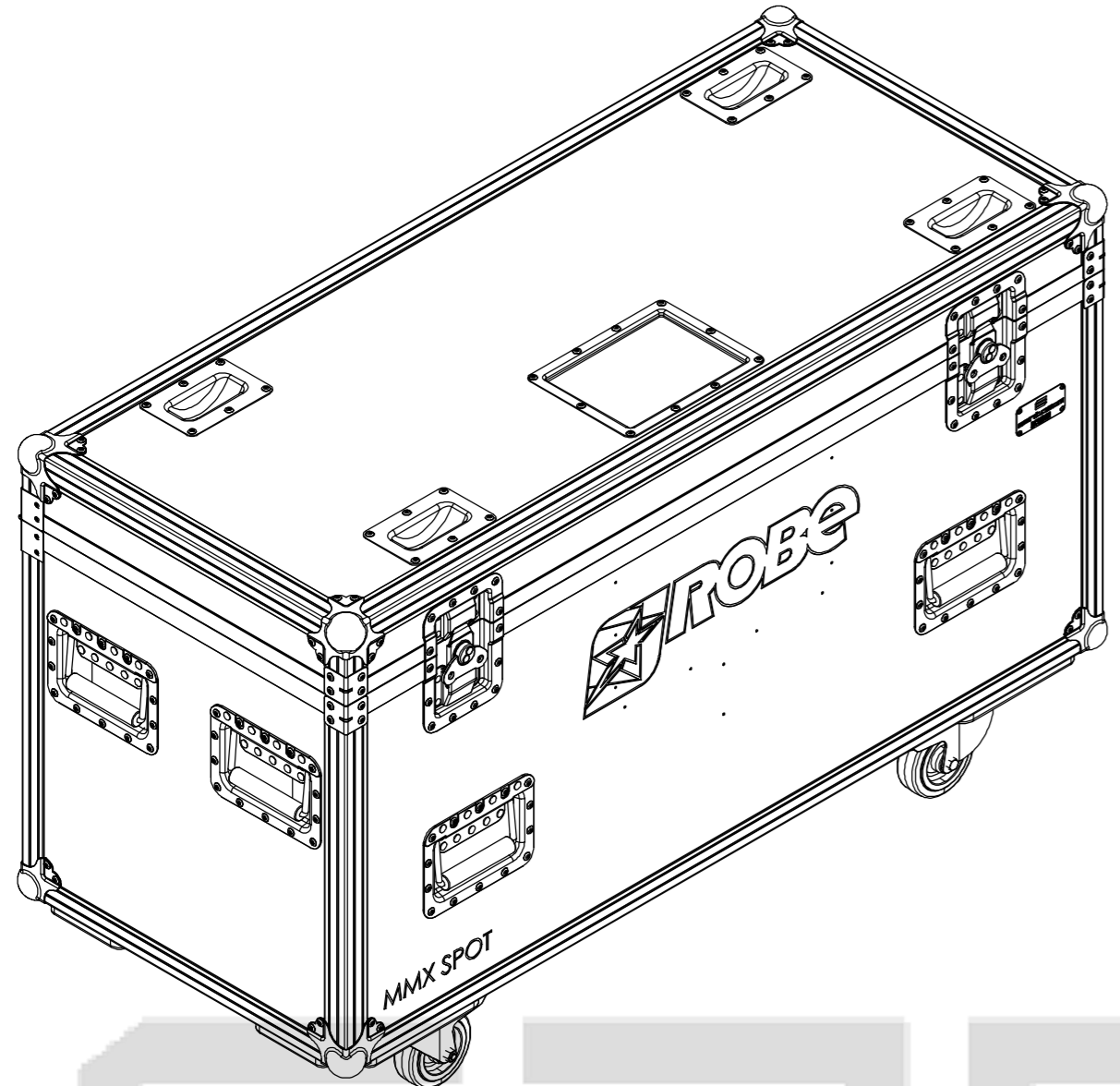


Interior dimensions		
Width	Depth	Height
1202	498	600
Weight	Approx. 42 Kg	
Wall Thickness		10mm



Hardware	
Qty	Description
8	Heavy Duty Ball Corner
4	Large corner bracket f. 35mm case angle
1	Dish for 88001 Tour Label
4	Castor dish deep zinc plated
2	Swivel castor Ø100 mm with brake
2	Swivel castor Ø100 mm
2	110MM hinge shot
8	Large, heavy duty, recessed sprung handle
2	Large lidstay cranked / hinge
2	Large AH butterfly with 'push-back' function in 14mm dish
3	Medium duty butt hinge z./p.

Drawn by	telmosantos	Name	MHEAD.713	Date	13-12-2013
Reference		Scale	1:8	general tolerance	0.8mm
This drawing must not be copied or disclosed without consent of the owner		1st Angle projection	FC, 8 Art System Wash, rodas	 <small>PHILIPPOZZI S.p.A. 20136</small>	