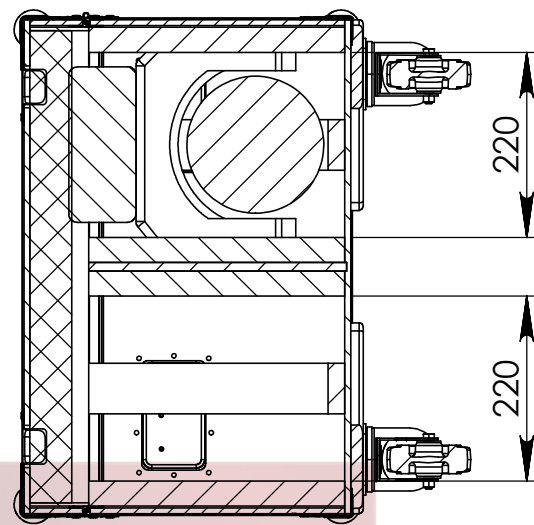
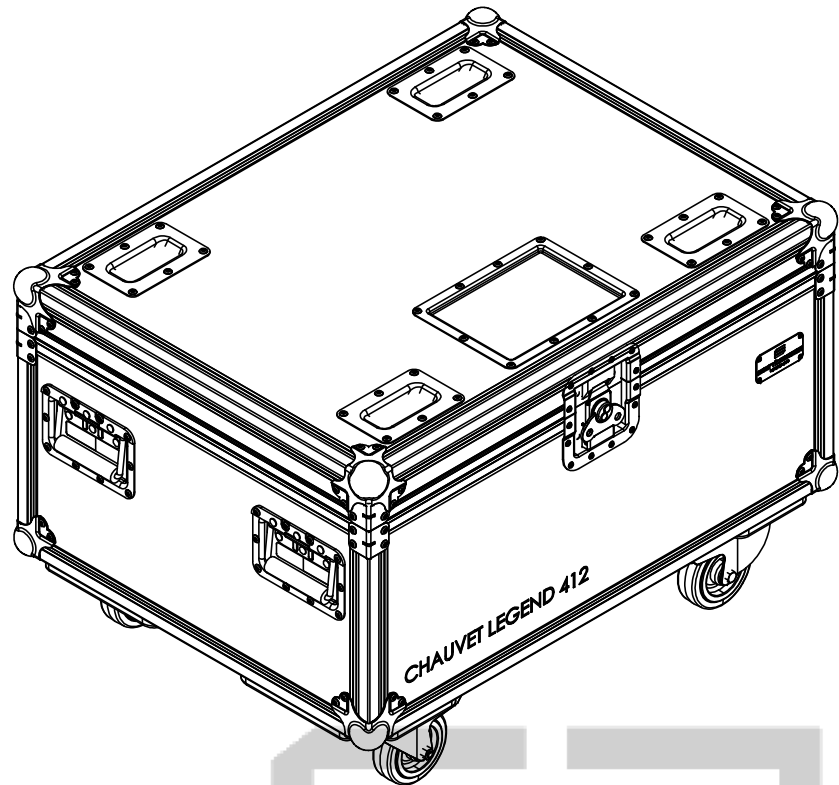
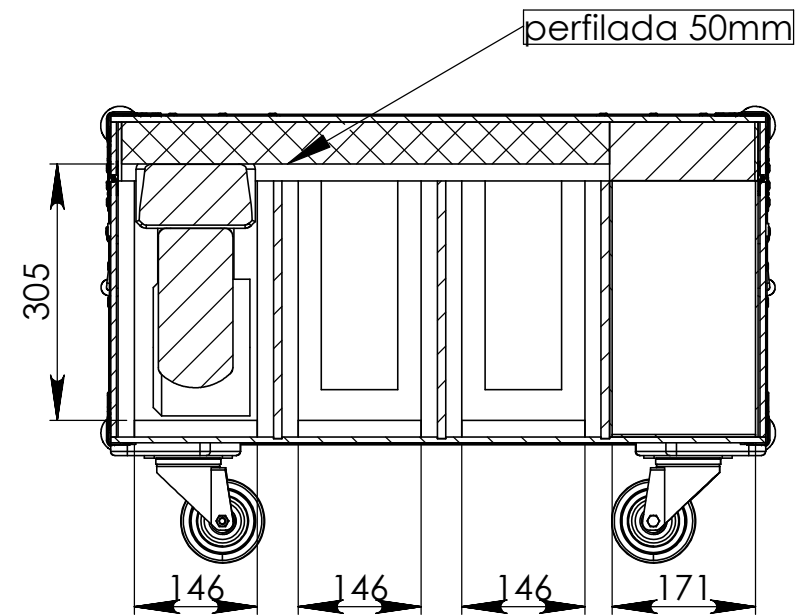


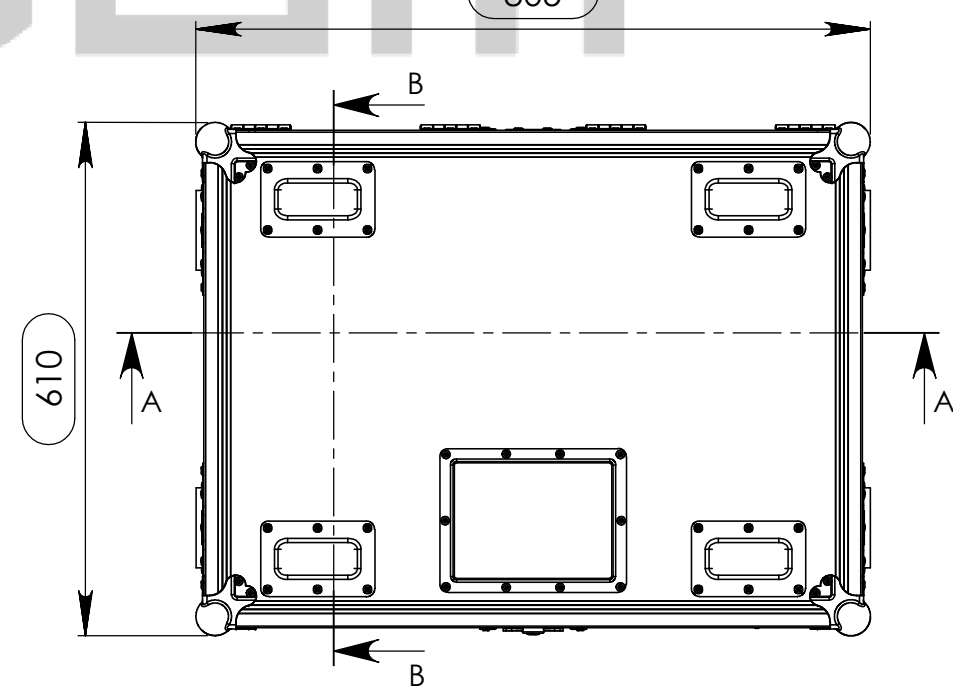
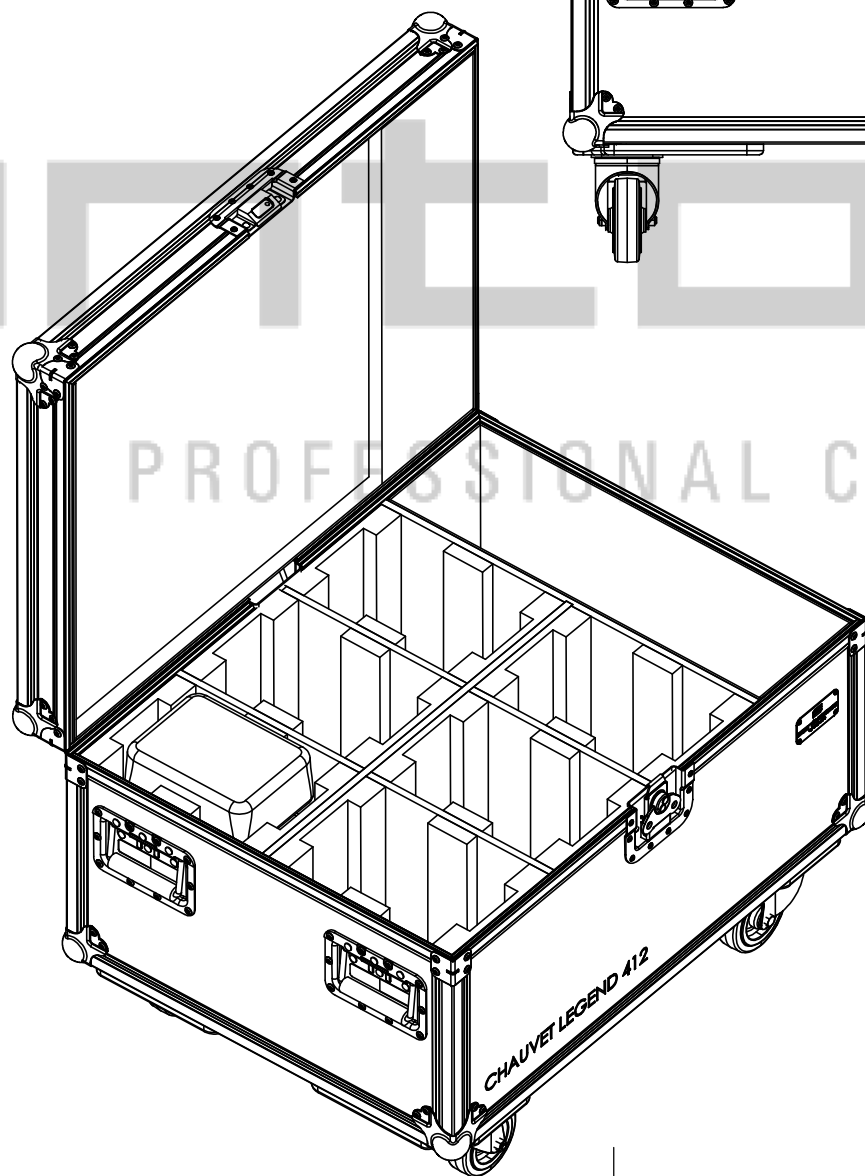
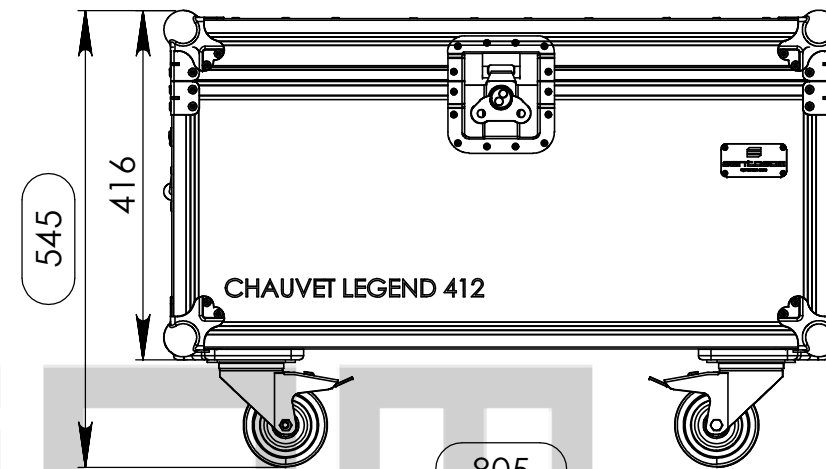
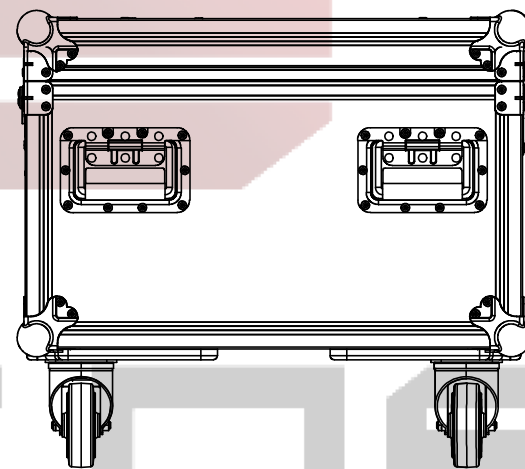
Interior dimensions		
Width	Depth	Height
185	280	375
Weight	Approx. 26 Kg	
Wall Thickness	7mm	



SECTION B-B



SECTION A-A



Hardware	
Qty	Description
8	Heavy Duty Ball Corner
8	Large corner bracket f. 35mm case angle
4	Recessed sprung handle medium model
4	Medium duty butt hinge z./p.
2	Swivel castor Ø100 mm with brake
2	Swivel castor Ø100 mm
4	Castor dish deep zinc plated
1	Dish for 88001 Tour Label
1	Large butterfly V3 with 'push-back' function in 14mm dish
1	Short recessed lidstay cranked

Drawn by	Name	Date
DanielLopes	DanielLopes	31-07-2012
Reference	MHEAD.712	
Scale	units in mm	general tolerance
1:9	DO NOT SCALE	0.8mm
1st Angle projection	FC, 6 Chauvet Legend 412 + Acess	

This drawing must not be copied or disclosed without consent of the owner

