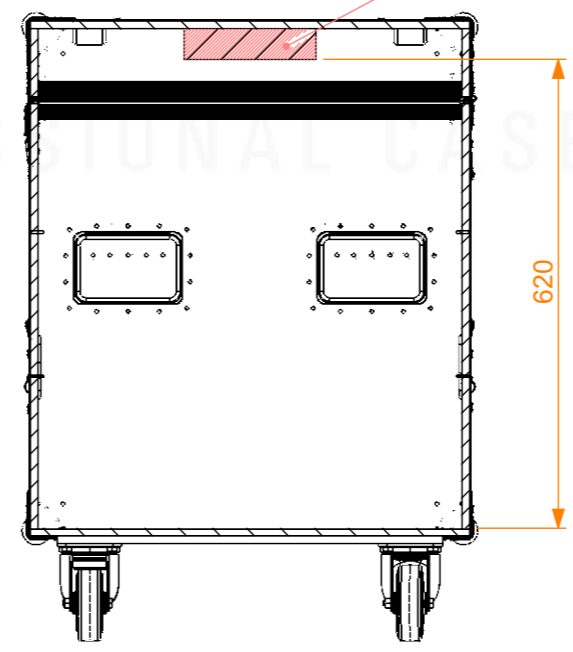
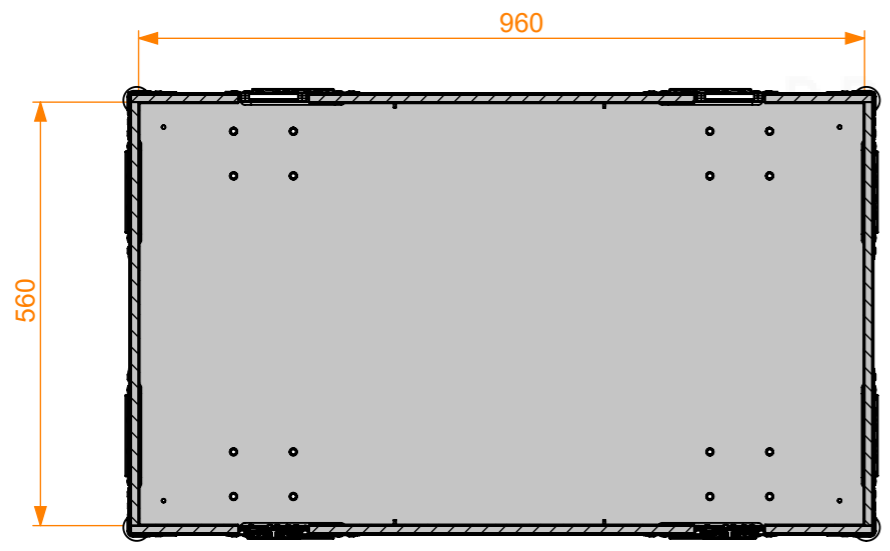
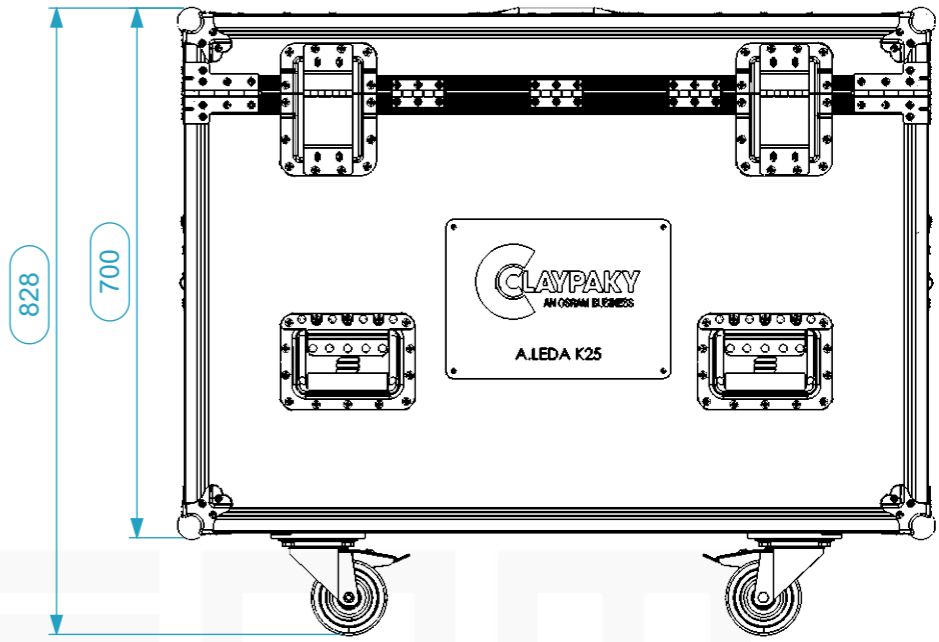
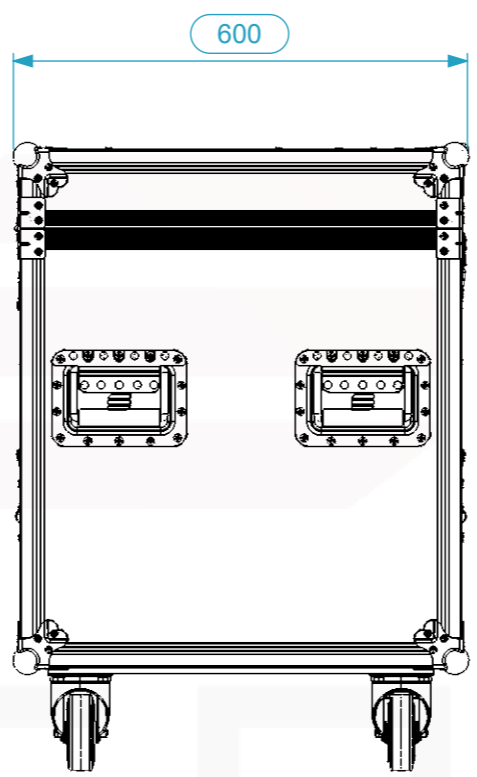
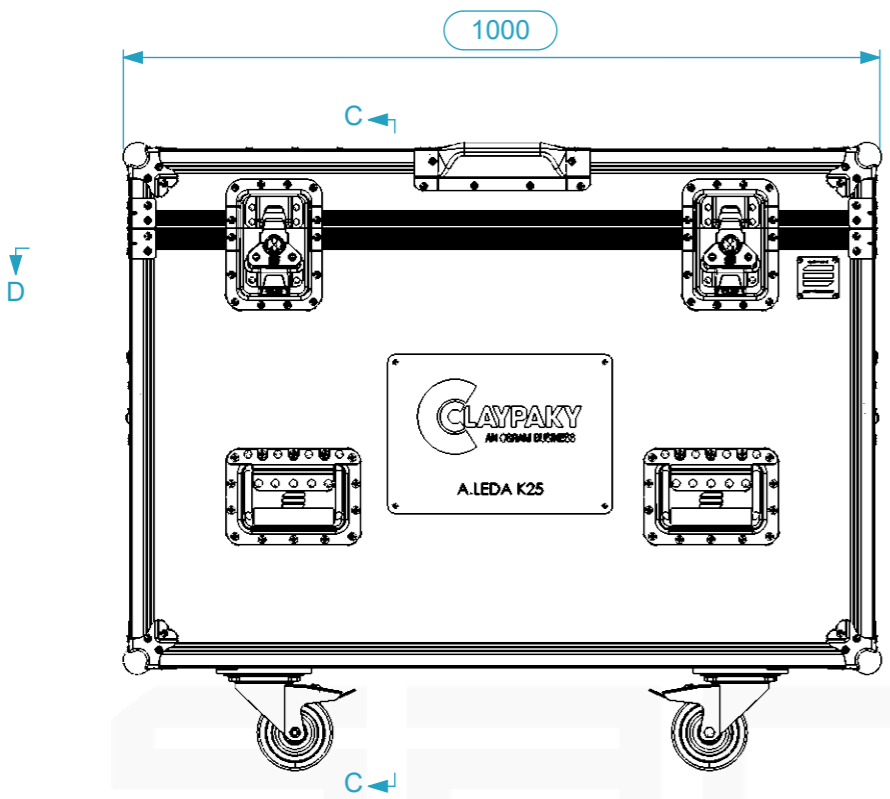


Equipment	Clay Paky Aleda K25 (FOAM SHELL)	
Width	Depth	Height
482	564	622
Internal Dimensions		
Width	Depth	Height
960	560	620
Weight	Approx. 47.50 Kg	
Wall Thickness	10mm	



General External Dimensions		Usable Inner Dimensions	
W	Width	Wi	Inside Width
D	Depth	Di	Inside Depth
H	Height	Hi	Inside Height

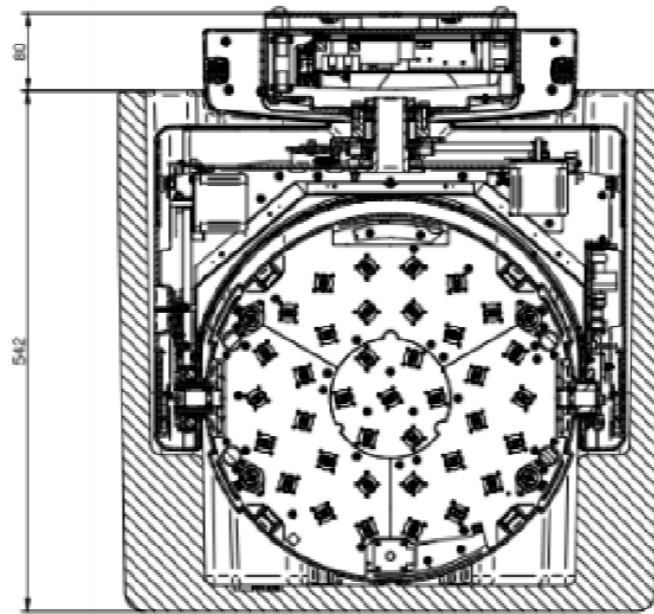
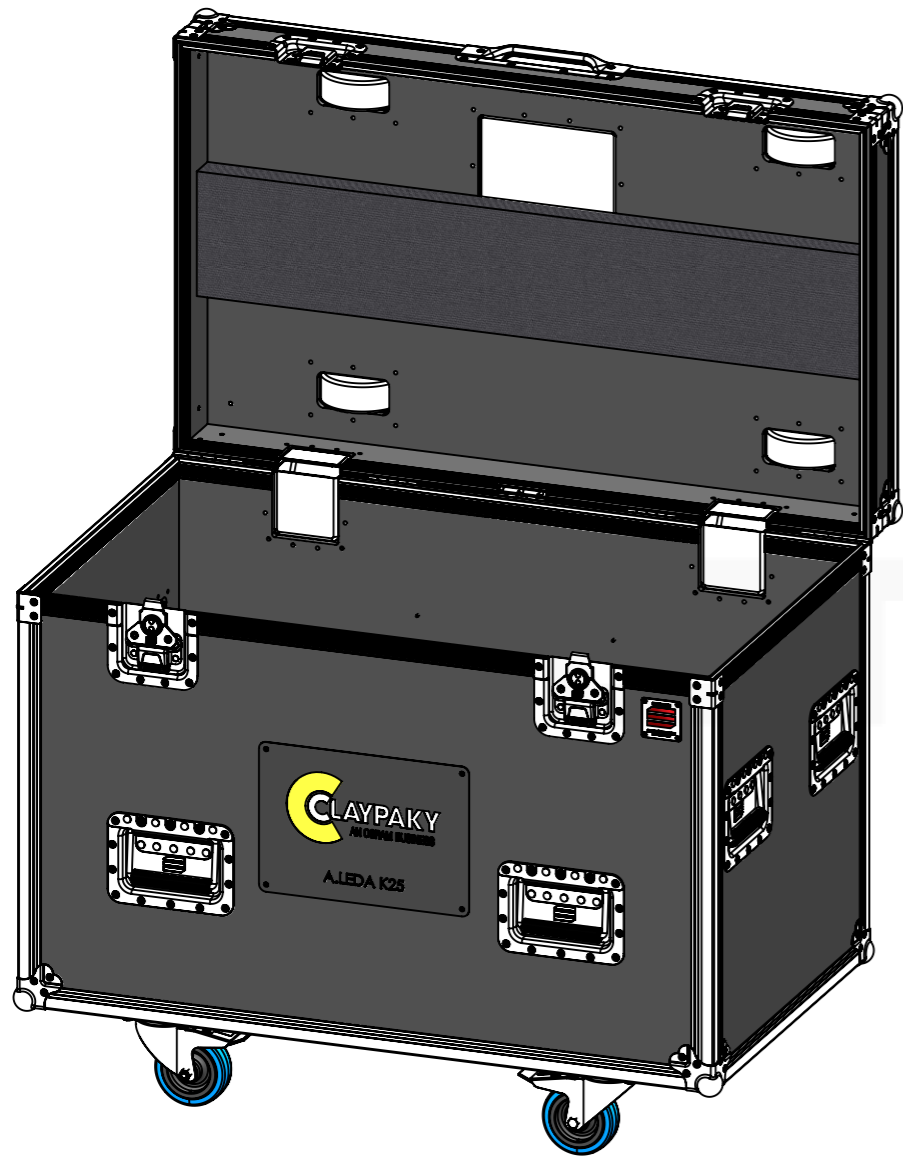
Name	Date
CarlaSilva	27/03/2020
Reference	MHEAD.382S
Scale	1:10
units in mm	general tolerance 0.8mm
DO NOT SCALE	
Flight case PRO, 2x Clay Paky Aleda K25	



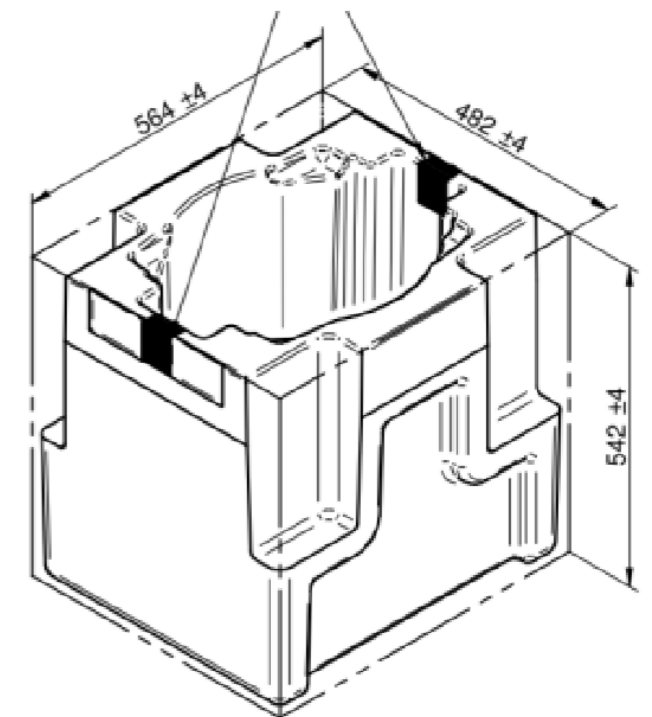
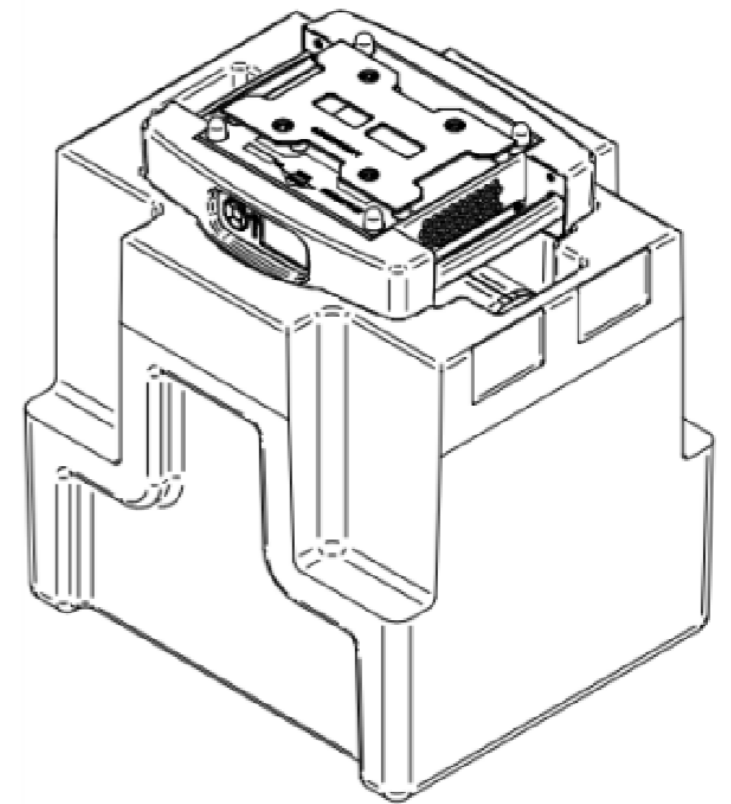
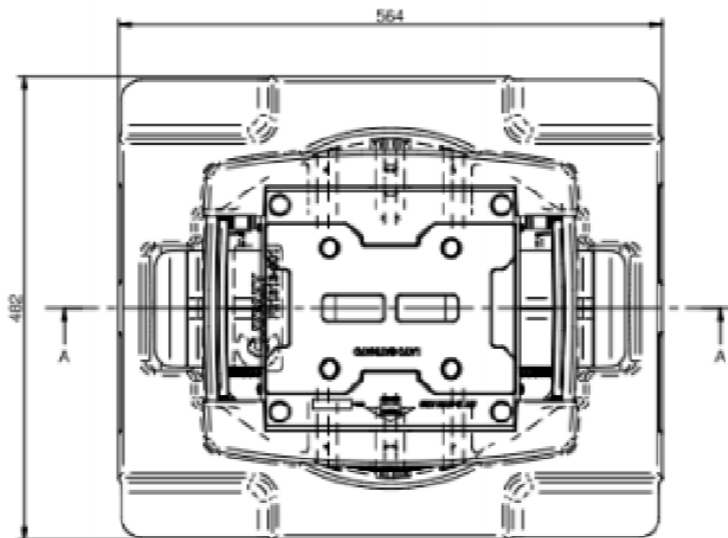
This drawing must not be copied or disclosed without consent of the owner



A3



SEZIONE A-A



PROFI

Drawn by	Name	Date
CarlaSilva	CarlaSilva	27/03/2020
Reference	MHEAD.382S	
Scale	units in mm	general tolerance
1:20	DO NOT SCALE	0.8mm
1st Angle projection	Flight case PRO, 2x Clay Paky Aleda K2S	



A3 This drawing must not be copied or disclosed without consent of the owner