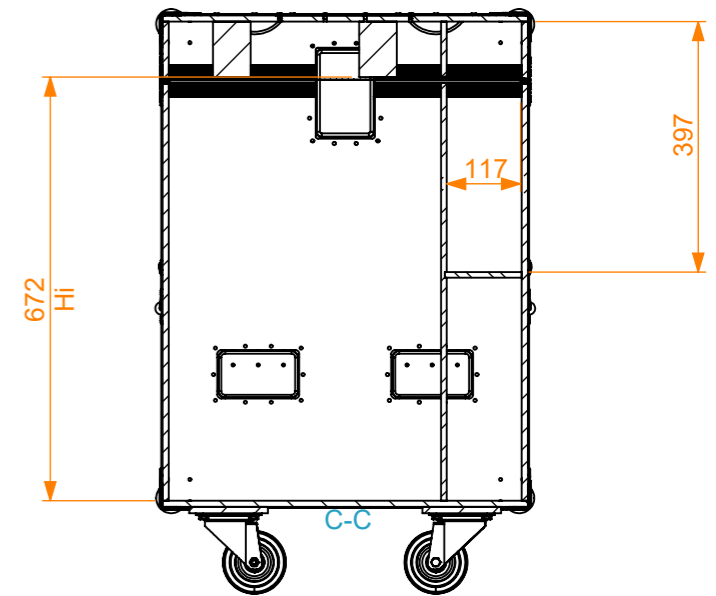
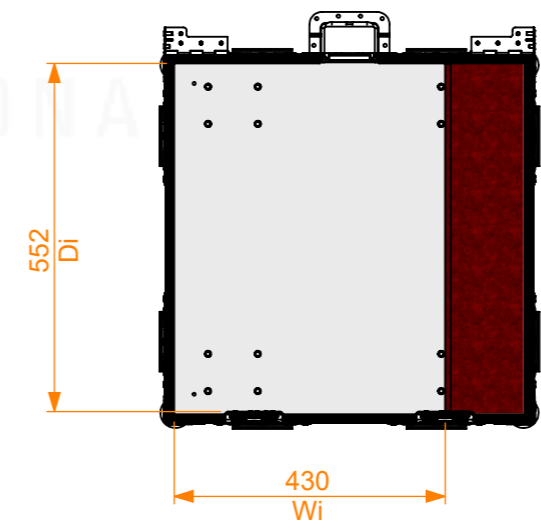
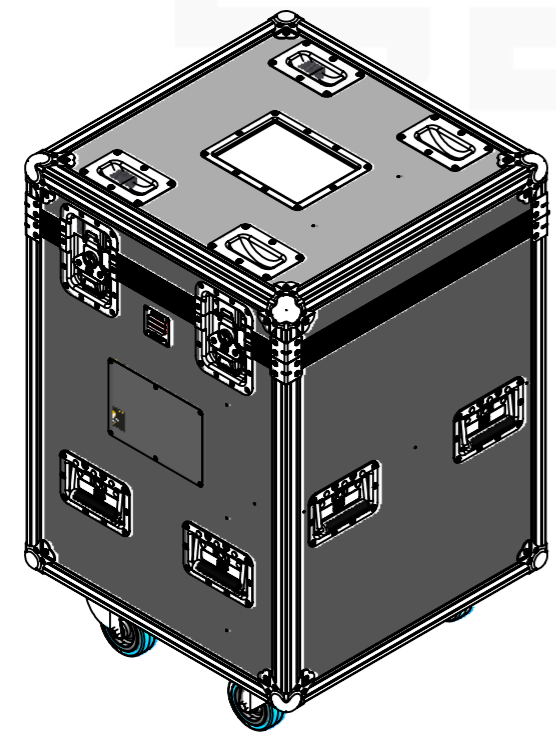
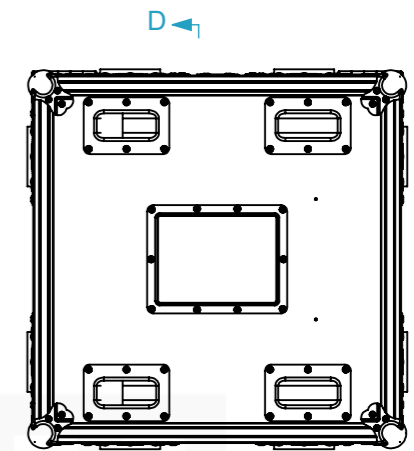
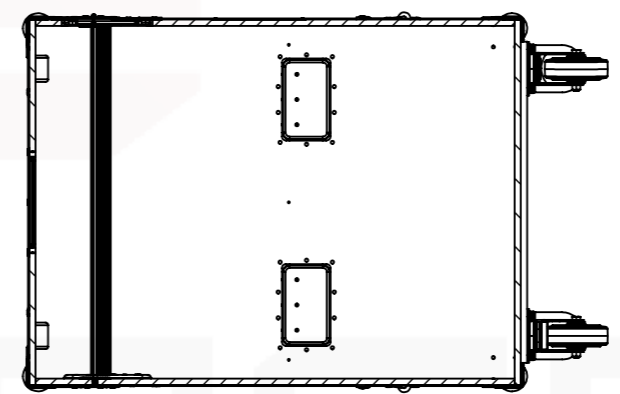
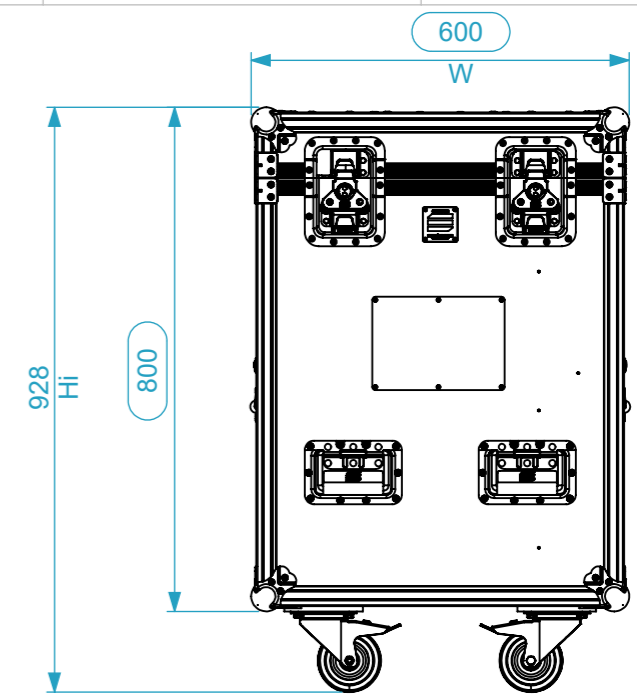
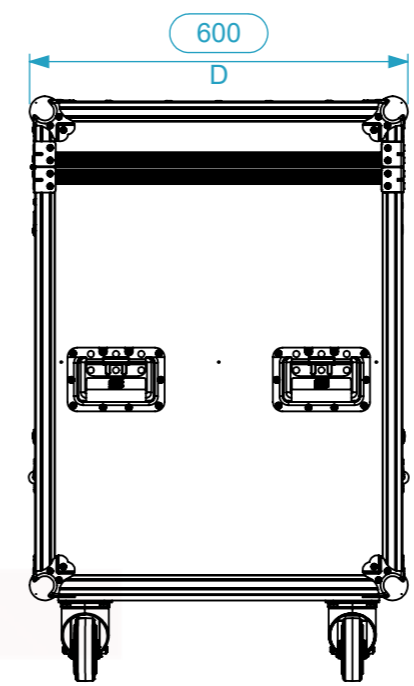
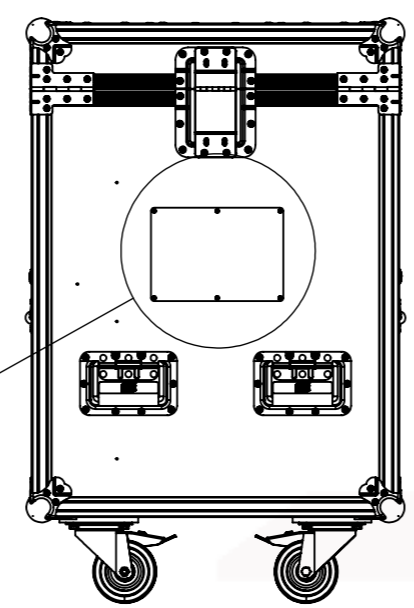
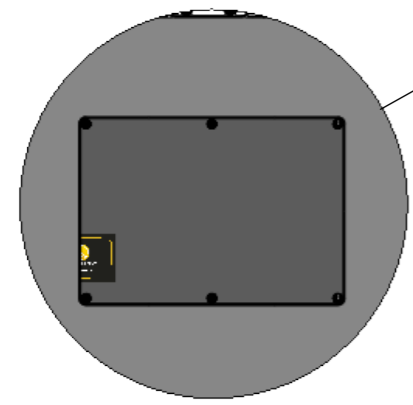


Equipment			Ayrton Levante/Diablo Foam Insert		
Width	Depth	Height			
430	280	660			
Internal Dimensions					
Width	Depth	Height			
560	415	600			
Weight	Approx. 34.34 Kg				
Wall Thickness					10mm



General External Dimensions		Usable Inner Dimensions		Wood Inner Dimensions	
W	Width	Wi	Inside Width	WWi	Wood Inside Width
D	Depth	Di	Inside Depth	WDi	Wood Inside Depth
H	Height	Hi	Inside Height	WHi	Wood Inside Height

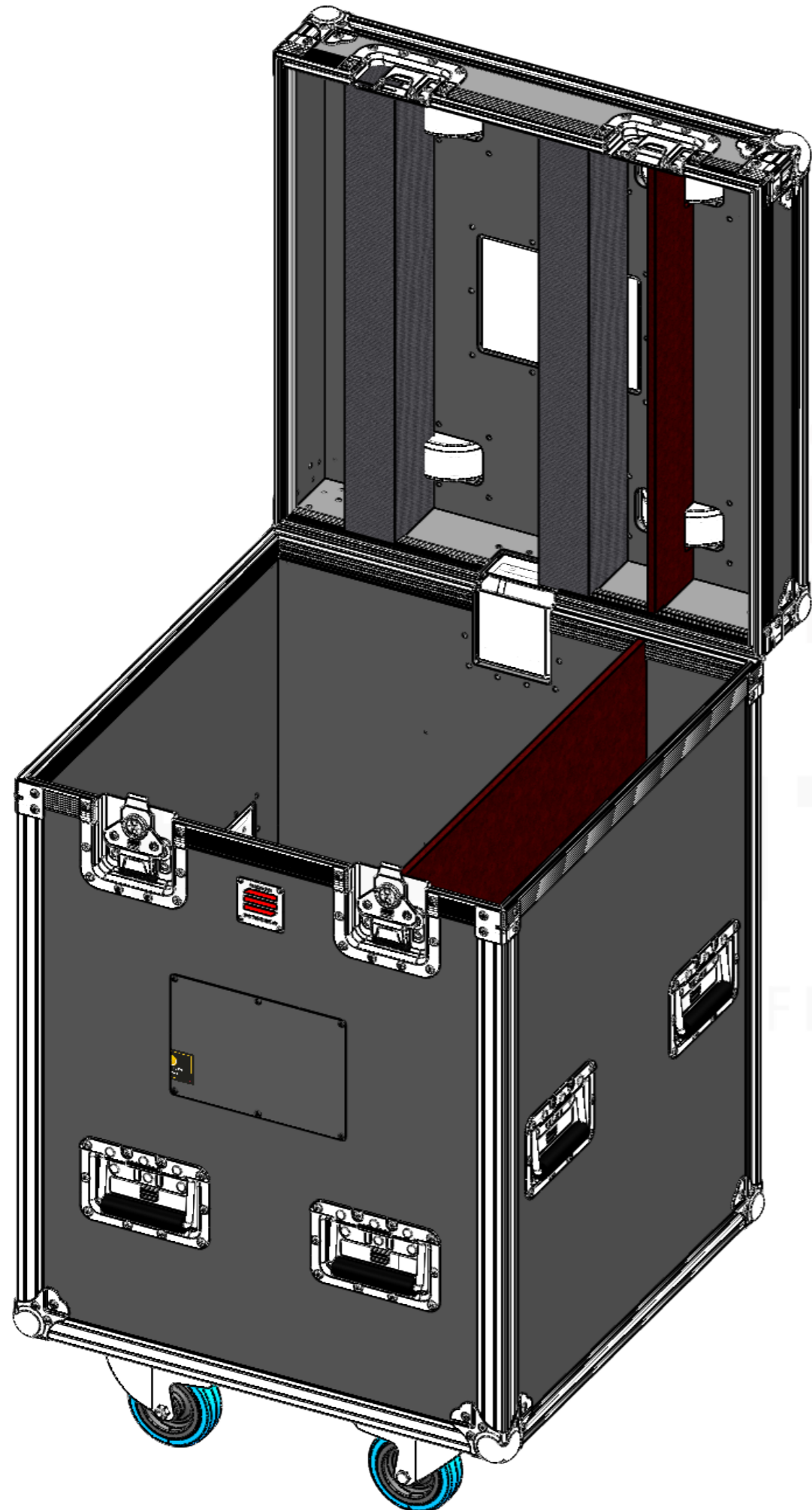
Drawn by	Name	Date
CarlaSilva	CarlaSilva	05/04/2023
Reference	MHEAD.380S	
Scale	units in mm	general tolerance
1:12	DO NOT SCALE	0.8mm
FLIGHT CASE PRO. 2x Ayrton Levante/Diablo		



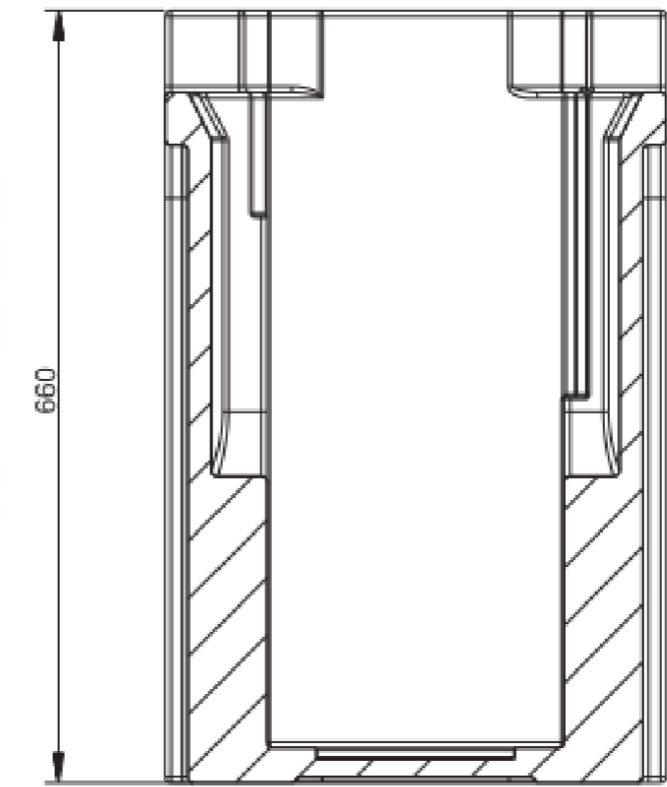
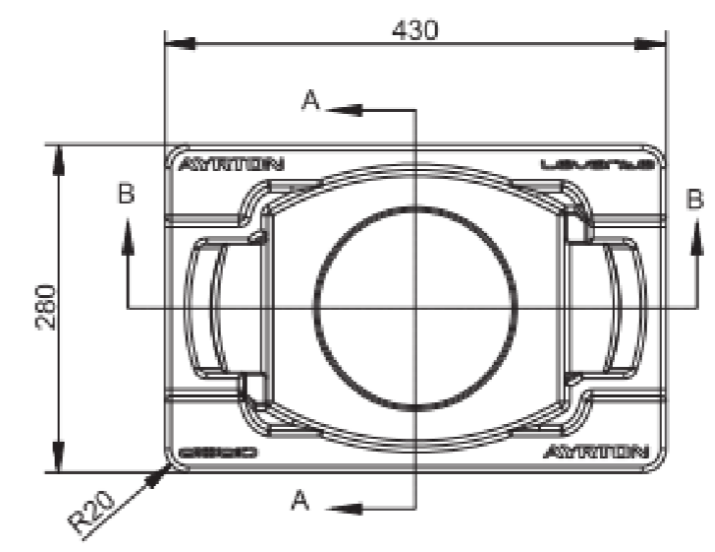
This drawing must not be copied or disclosed without consent of the owner

A3





FOAM DIMENSIONS



Section: B-B

This drawing must not be copied or disclosed without consent of the owner

Drawn by	Name	Date
CarlaSilva	CarlaSilva	05/04/2023
Reference	MHEAD.380S	
Scale	units in mm	general tolerance
1:10	DO NOT SCALE	0.8mm
1st Angle projection	FLIGHT CASE PRO. 2x Ayrton Levante/Diablo	



A3