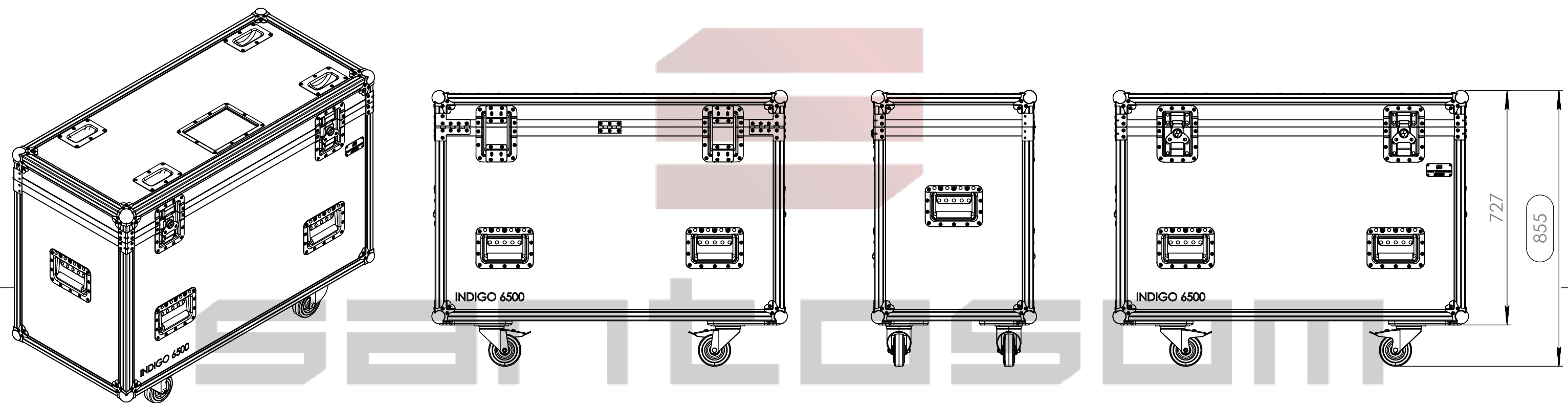
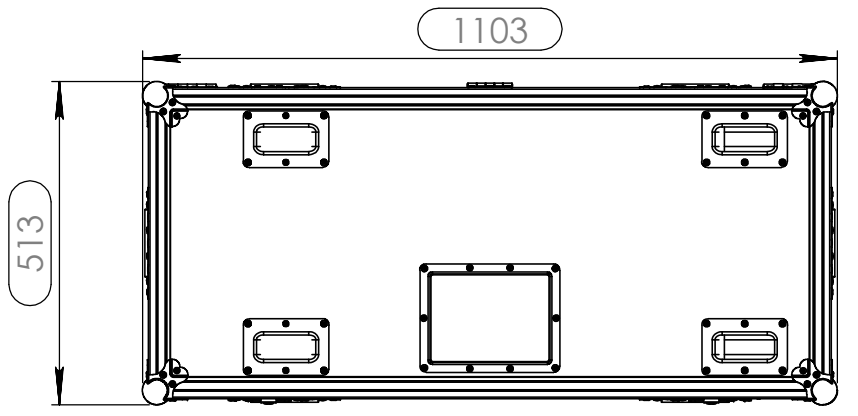


| Interior dimensions | | |
|---------------------|---------------|--------|
| Width | Depth | Height |
| 1058 | 468 | 680 |
| Weight | Approx. 41 Kg | |
| Wall Thickness | 10mm | |

| Revision Table | | | | |
|----------------|------|---------------|------------|--------------|
| Index | Rev. | Description | Date | Draw |
| - | 0 | Final Drawing | 16/10/2013 | Daniel Lopes |



PROFESSIONAL CASES



| Hardware | | |
|----------|------------|---|
| Qty | Ref. | Description |
| 4 | 40403 | Large corner bracket f. 35mm case angle |
| 8 | 410429 | Ball Corner large three-leg cranked 35 mm 9 holes |
| 2 | 172511COMP | Large AH butterfly with 'push-back' function in 14mm dish |
| 1 | 88001D | Dish for 88001 Tour Label |
| 2 | 270836 | Large lidstay cranked / hinge |
| 4 | 38083 | Castor dish deep zinc plated |
| 6 | 34085 | Large, heavy duty, recessed sprung handle |
| 2 | RODA.100 | Swivel castor Ø100 mm |
| 2 | RODA.100T | Swivel castor Ø100mm with brake |
| 2 | DCR110 | 110MM hinge shot |
| 1 | 2602 | Medium duty butt hinge z./p. |

| | | | | | | | | |
|---|---|---------------------------------------|-----------|----------------------|---------------|------------------------|--------------------|------------------------|
| A3 | This drawing must not be copied or disclosed without consent of the owner | Scale | 1:20 | units in mm | DO NOT SCALE | general tolerance | 0.8mm | PROFESSIONAL CASES |
| | | Reference | MHEAD.313 | | FC, 2 SHOWTEC | | INDIGO 6500, RODAS | |
| Drawn by: DanielLopes Date: 17-10-2013 | | Name: DanielLopes Date: 17-10-2013 | | Reference: MHEAD.313 | | PROFESSIONAL CASES | | |