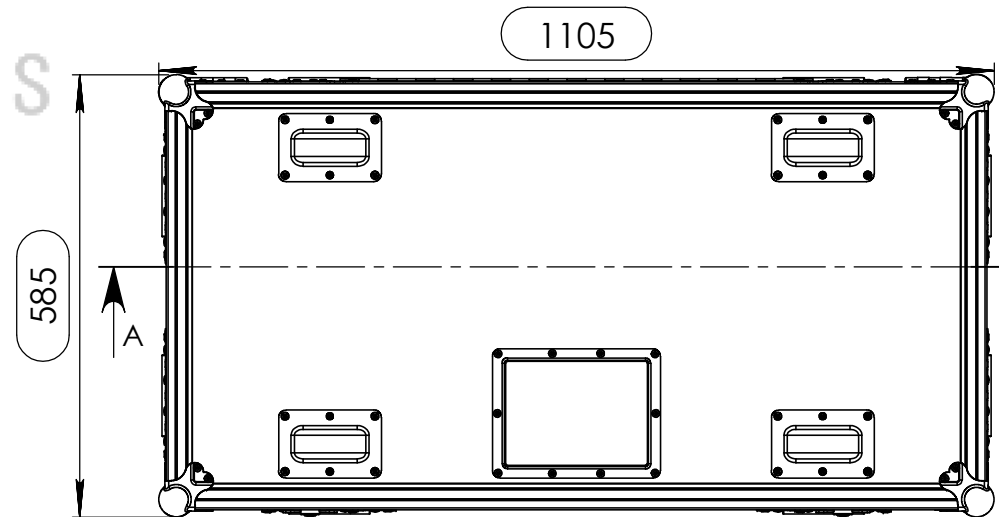
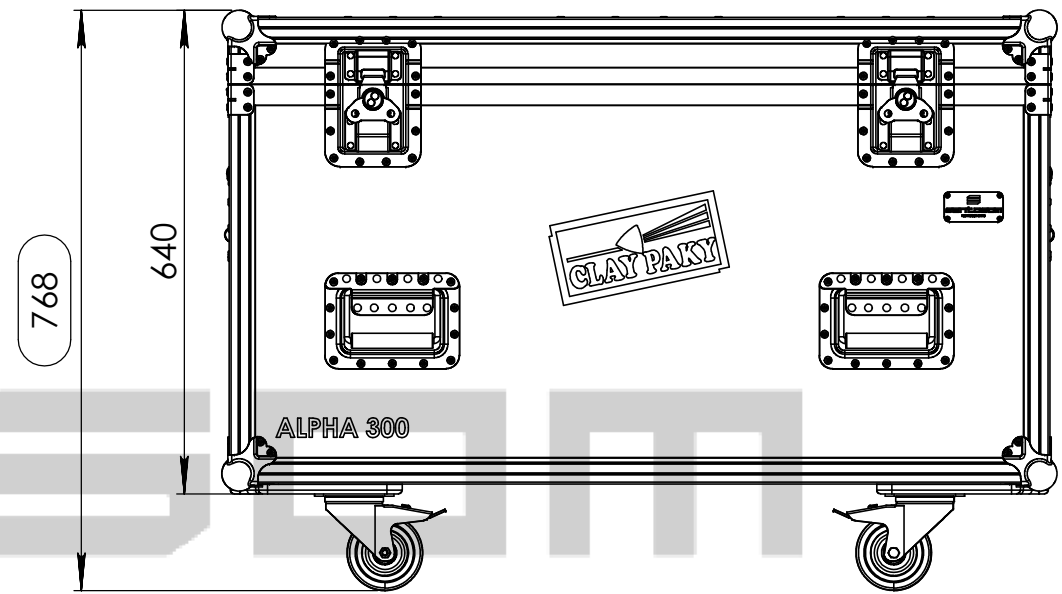
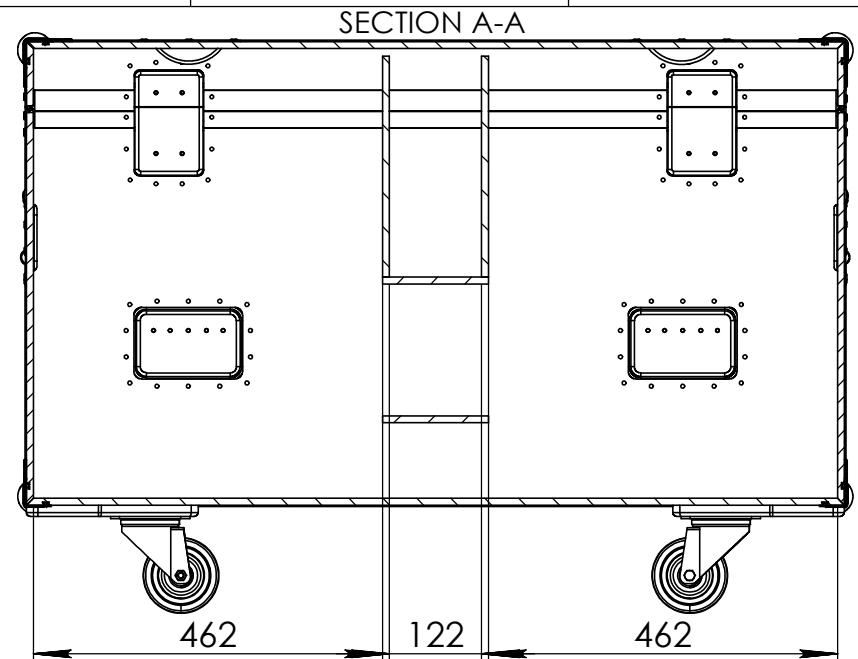
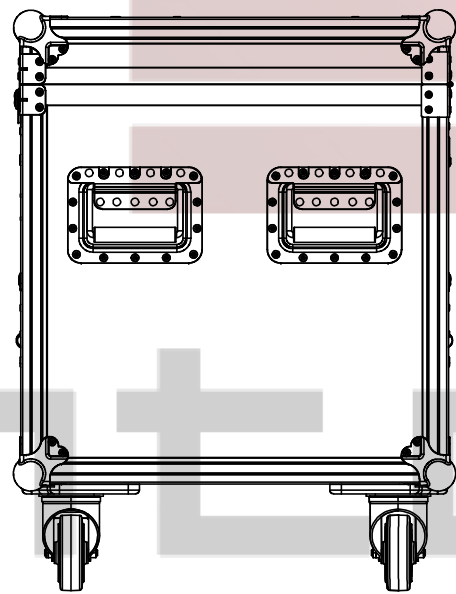
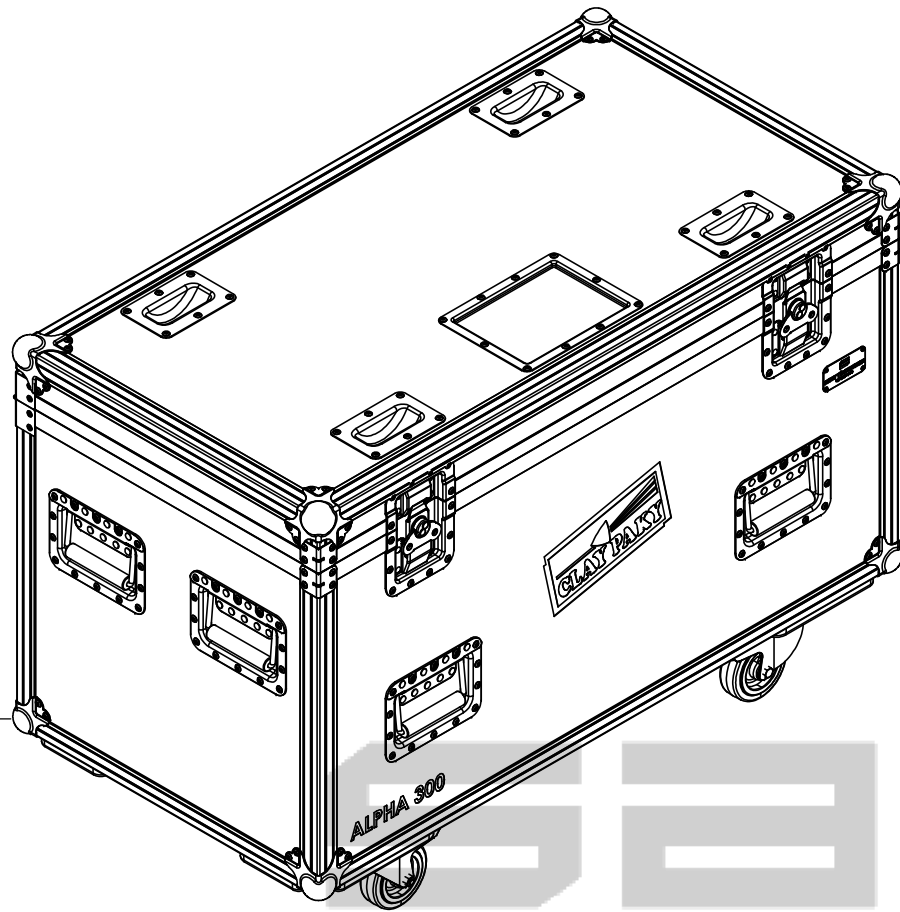


Interior dimensions		
Width	Depth	Height
1060	540	595
Weight	Approx. 145 Kg	
Wall Thickness	9mm	



Hardware	
Qty	Description
4	Large corner bracket f. 35mm case angle
8	Heavy Duty Ball Corner
2	Large AH butterfly with 'push-back' function in 14mm dish
1	Dish for 88001 Tour Label
2	Large lidstay cranked / hinge
4	Castor dish deep zinc plated
8	Large, heavy duty, recessed sprung handle in 14 mm deep steel dish, zinc plated with black PVC grip.
2	Swivel castor Ø100 mm
2	Swivel castor Ø100 mm with brake
2	110MM hinge shot

PROFESSIONAL CASES

This drawing must not be copied or disclosed without consent of the owner



Scale 1:10

units in mm DO NOT SCALE

general tolerance 0.8mm

Drawn by	Name	Date
telmosantos	telmosantos	12-06-2012
Reference	MHEAD.300S	

