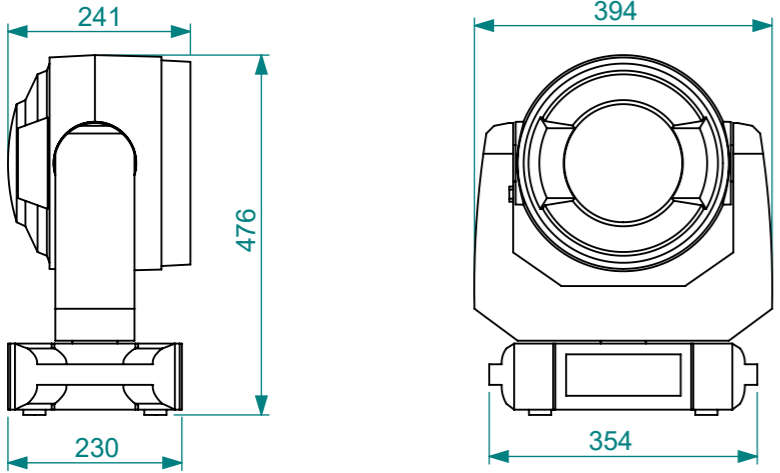
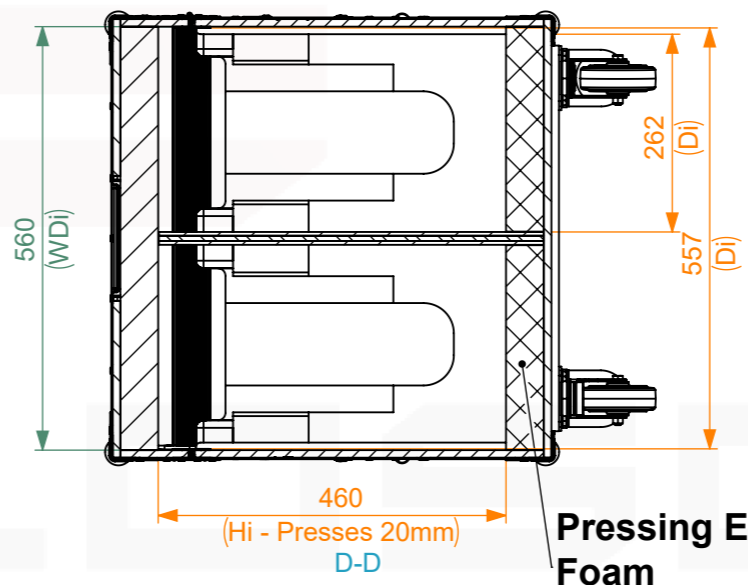
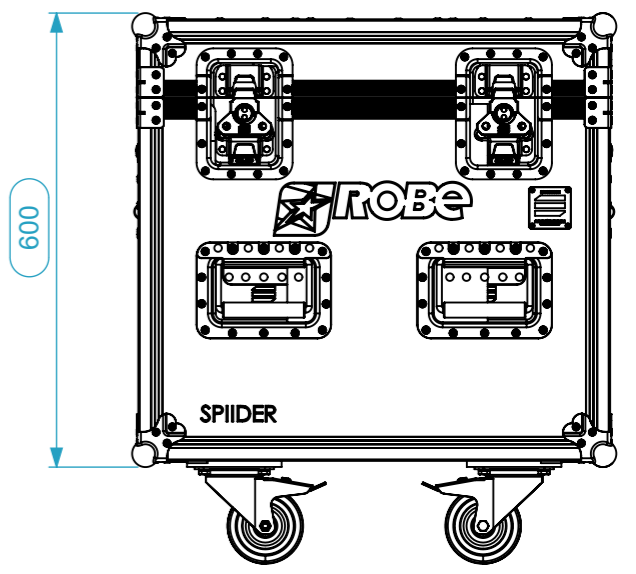
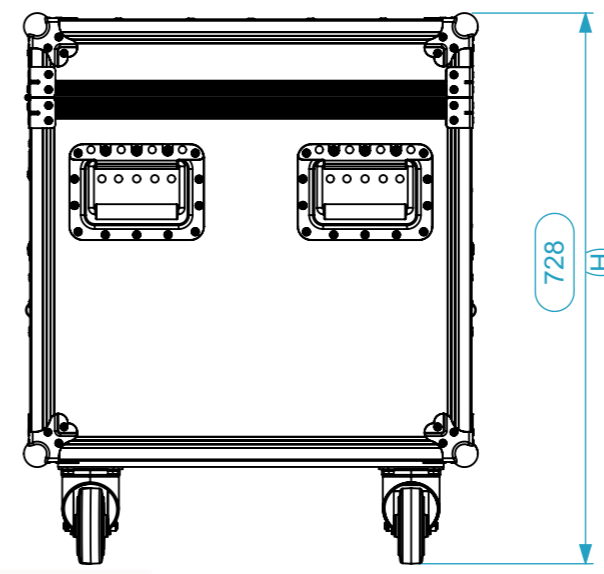
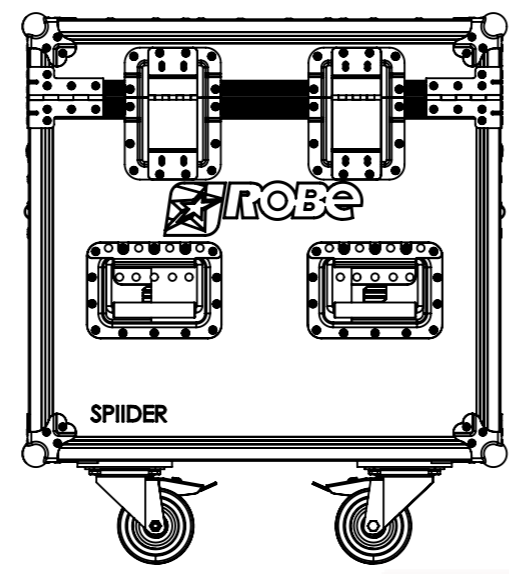
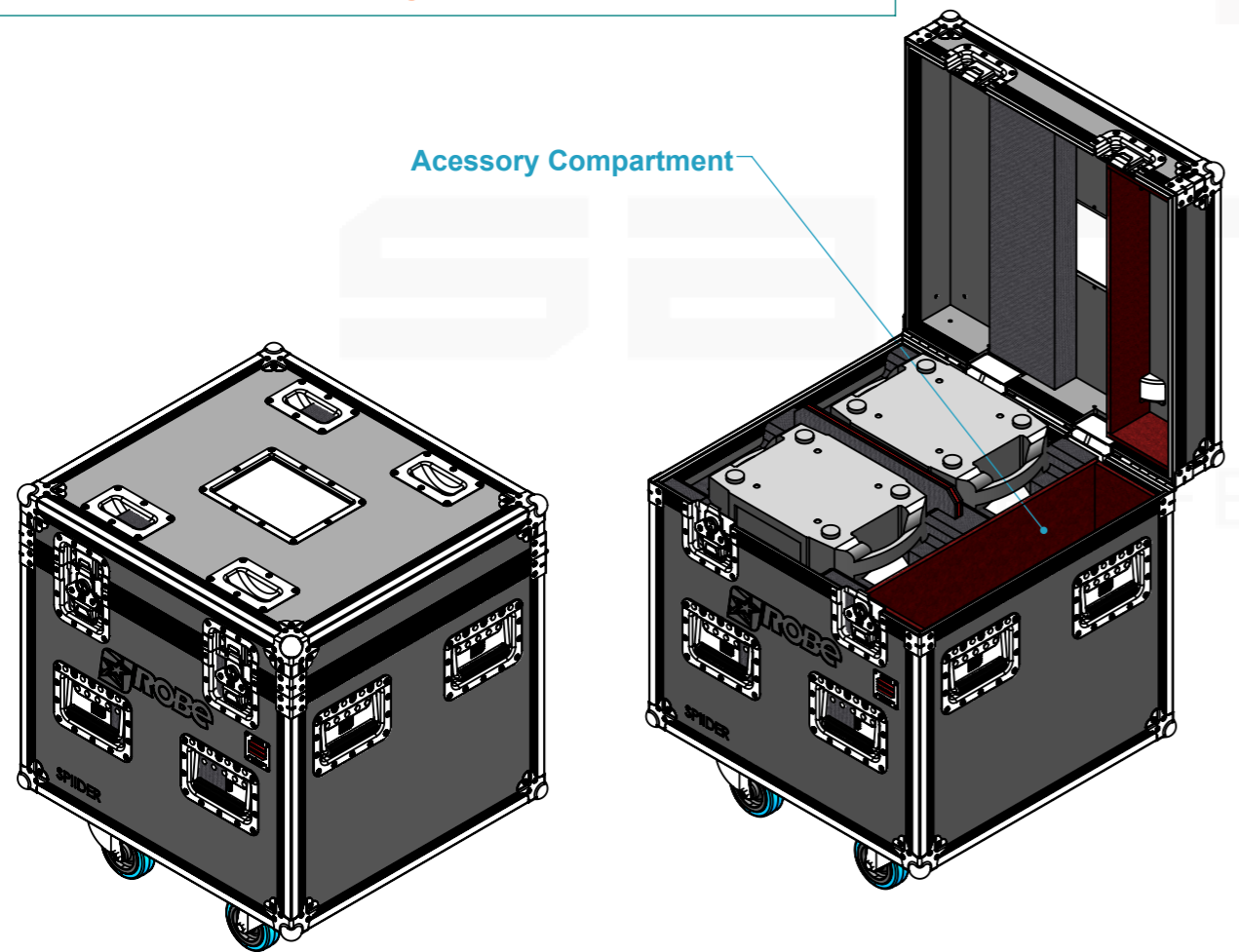


Equipment		Robe Spider	
Width	394	Depth	241
		Height	476
Internal Dimensions			
Width	261	Depth	396
		Height	480
Weight	Approx. 34.89 Kg		
Wall Thickness	10mm		

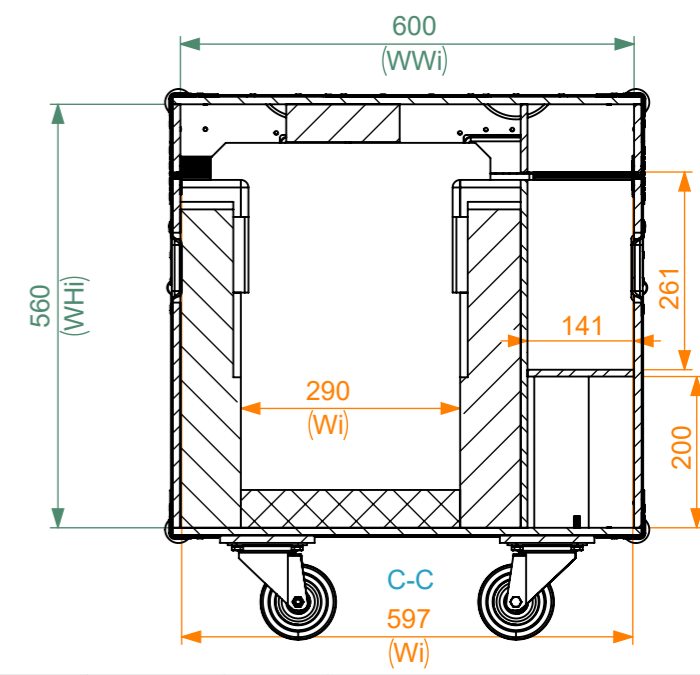
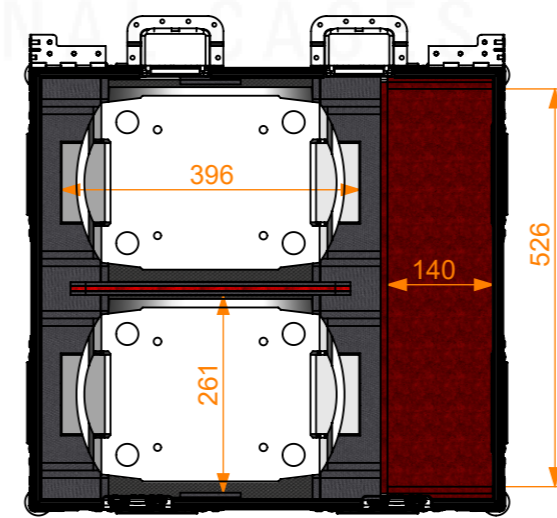
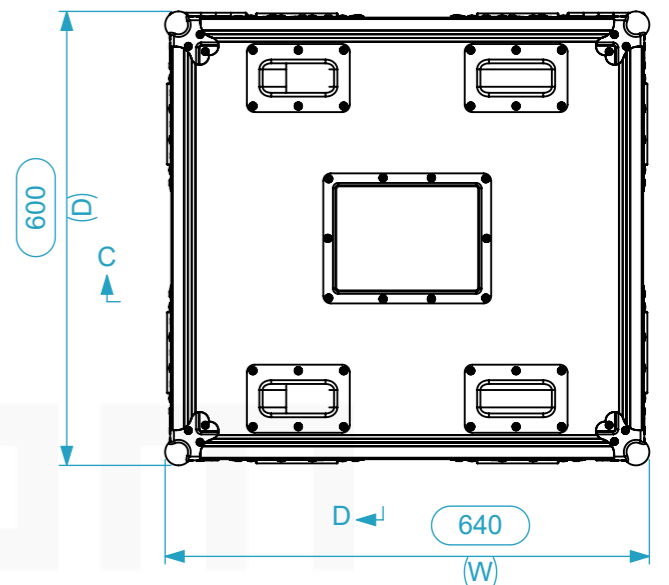


EQUIPMENT WEIGHT.: 13.3 Kg

Accessory Compartment



Pressing Eggbox Foam 50 mm thick



General External Dimensions		Usable Inner Dimensions		Wood Inner Dimensions	
W	Width	Wi	Inside Width	WWi	Wood Inside Width
D	Depth	Di	Inside Depth	WDi	Wood Inside Depth
H	Height	Hi	Inside Height	WHi	Wood Inside Height

Name	CarlaSilva	Date	22/01/2020
Reference	MHEAD.113R		
Scale	1:10	units in mm	general tolerance 0.8mm
1st Angle projection	FLIGHT CASE PRO, 2X ROBE SPIIDER		



This drawing must not be copied or disclosed without consent of the owner

A3