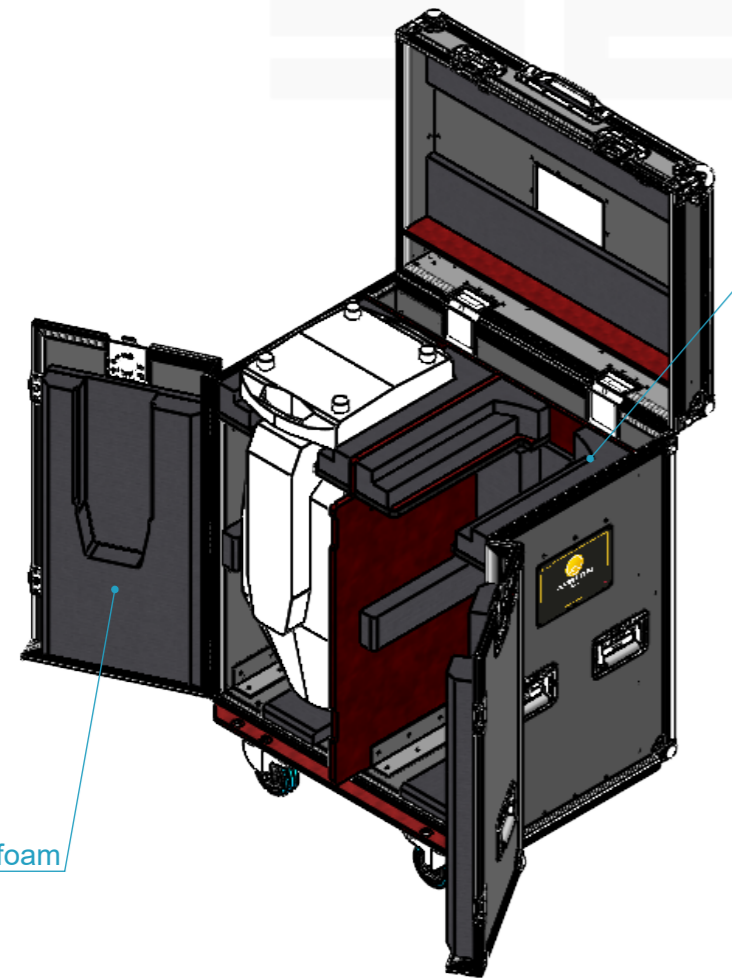
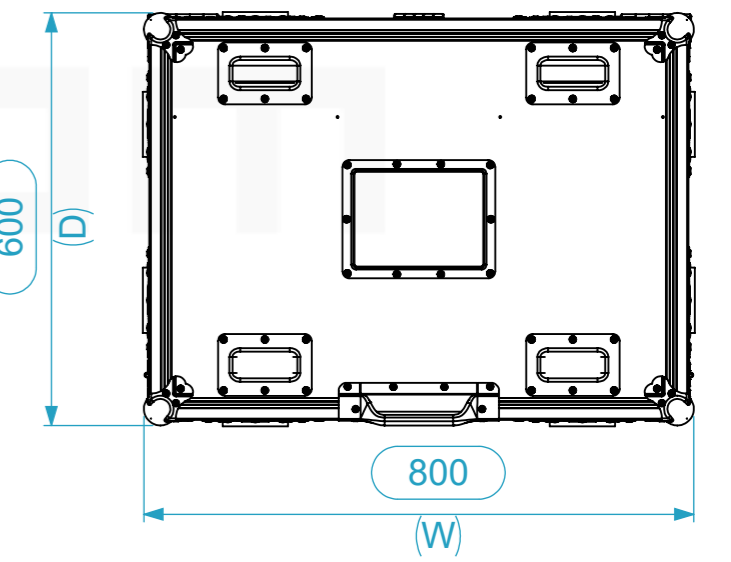
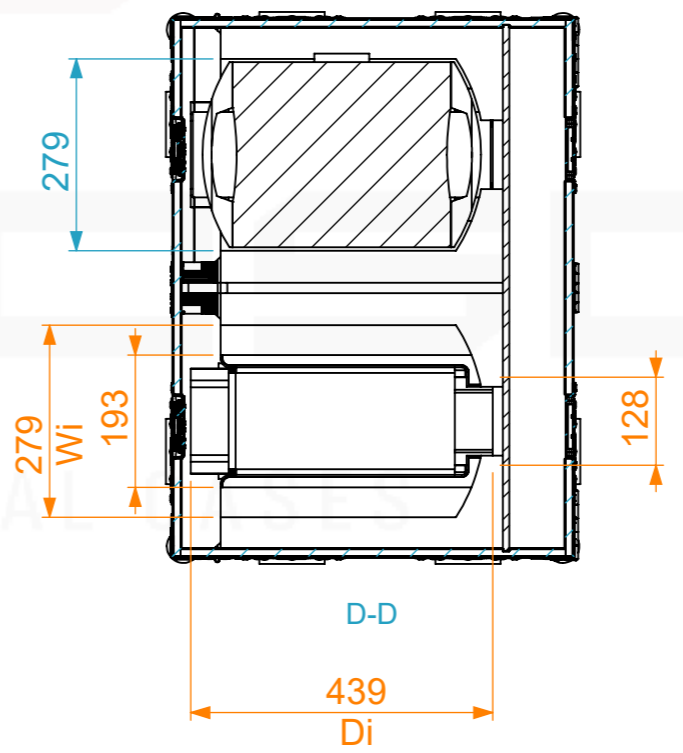
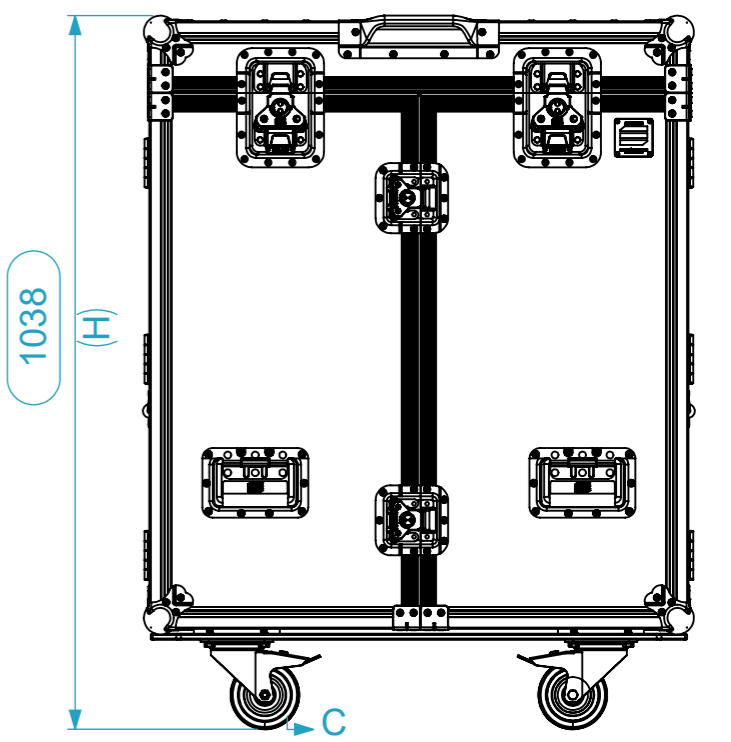
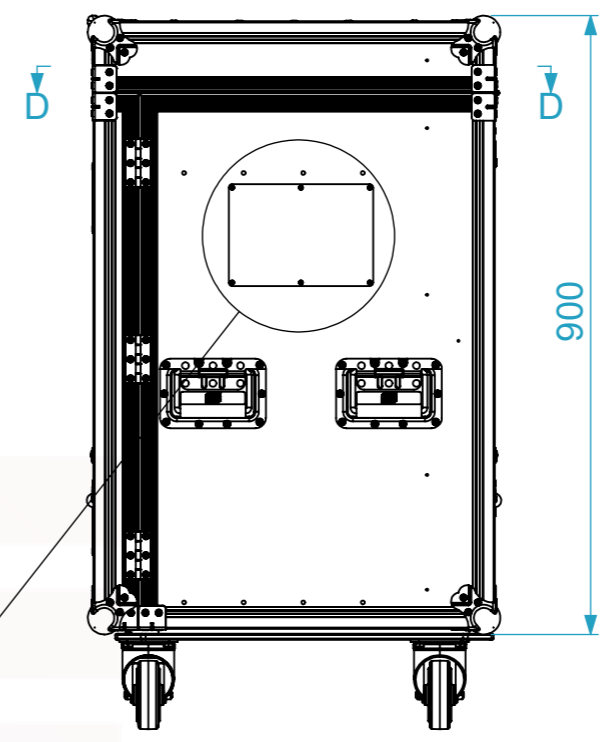
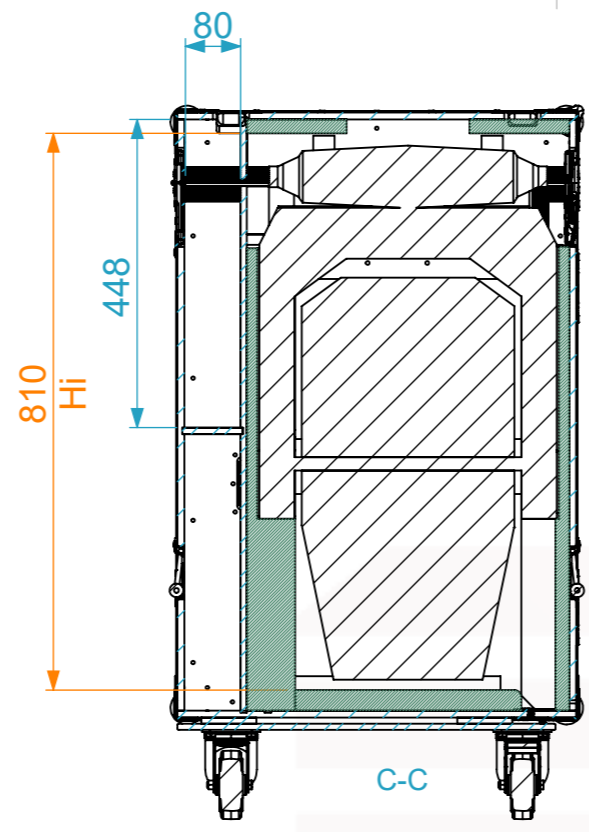
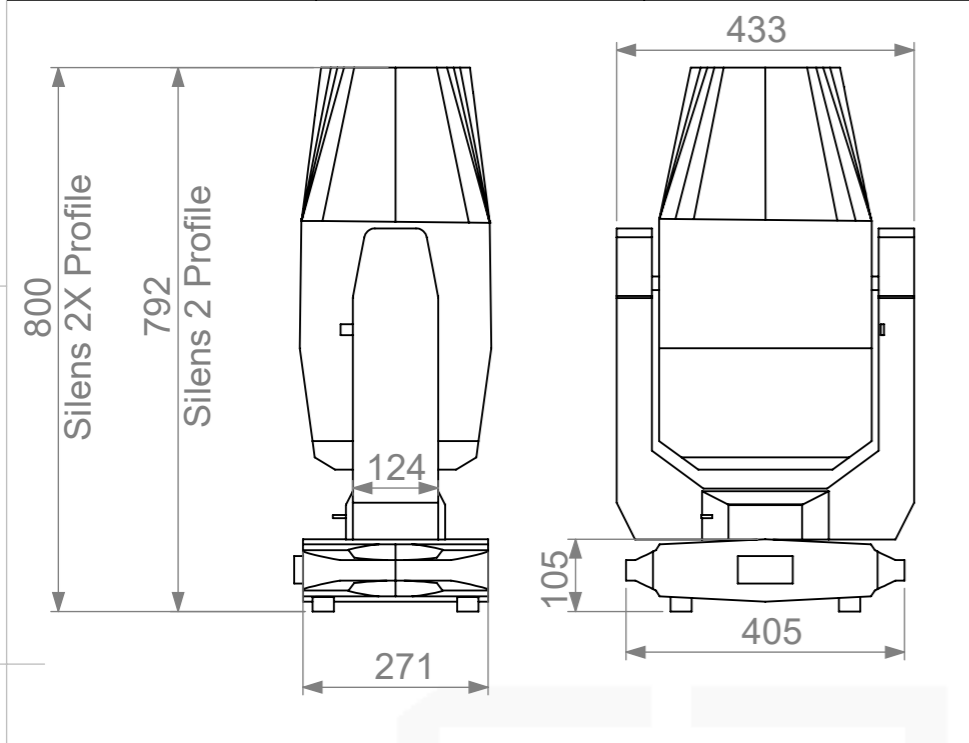


Equipment			Maverick Silens 2X Profile		
Width	Depth	Height			
275	430	80			
Weight	Approx. 34.4 Kg				
Internal Dimensions					
Width	Depth	Height			
279	439	810			
FC Weight	Approx. 61 Kg				
Wall Thickness			10mm		



Machined foam



Machined foam

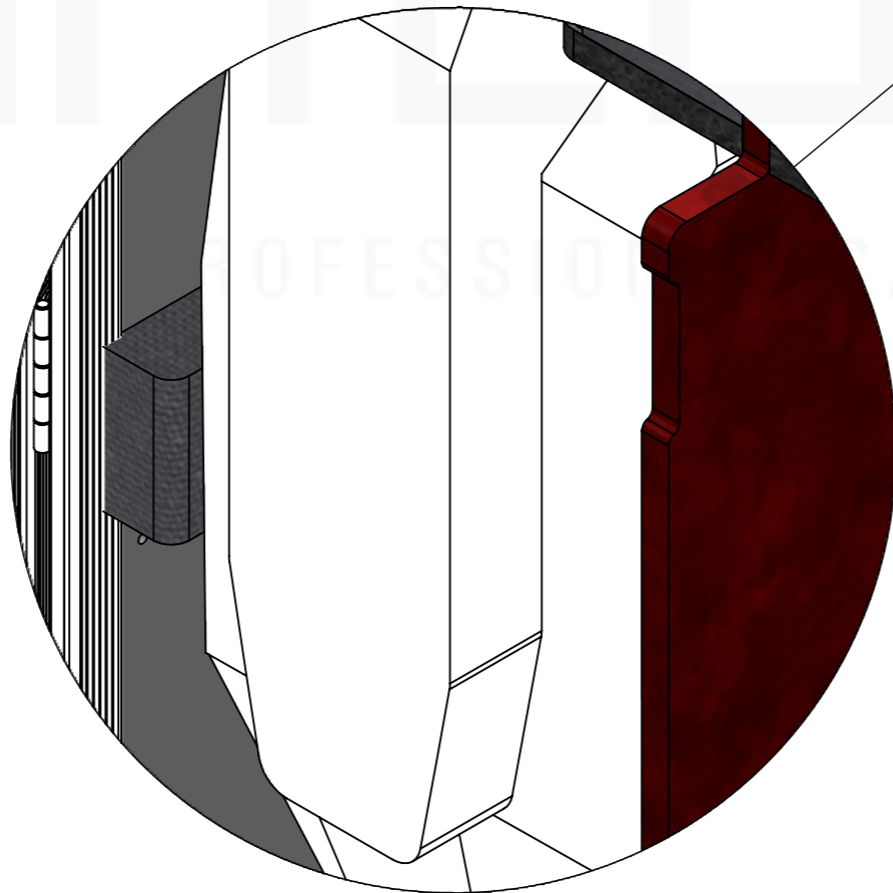
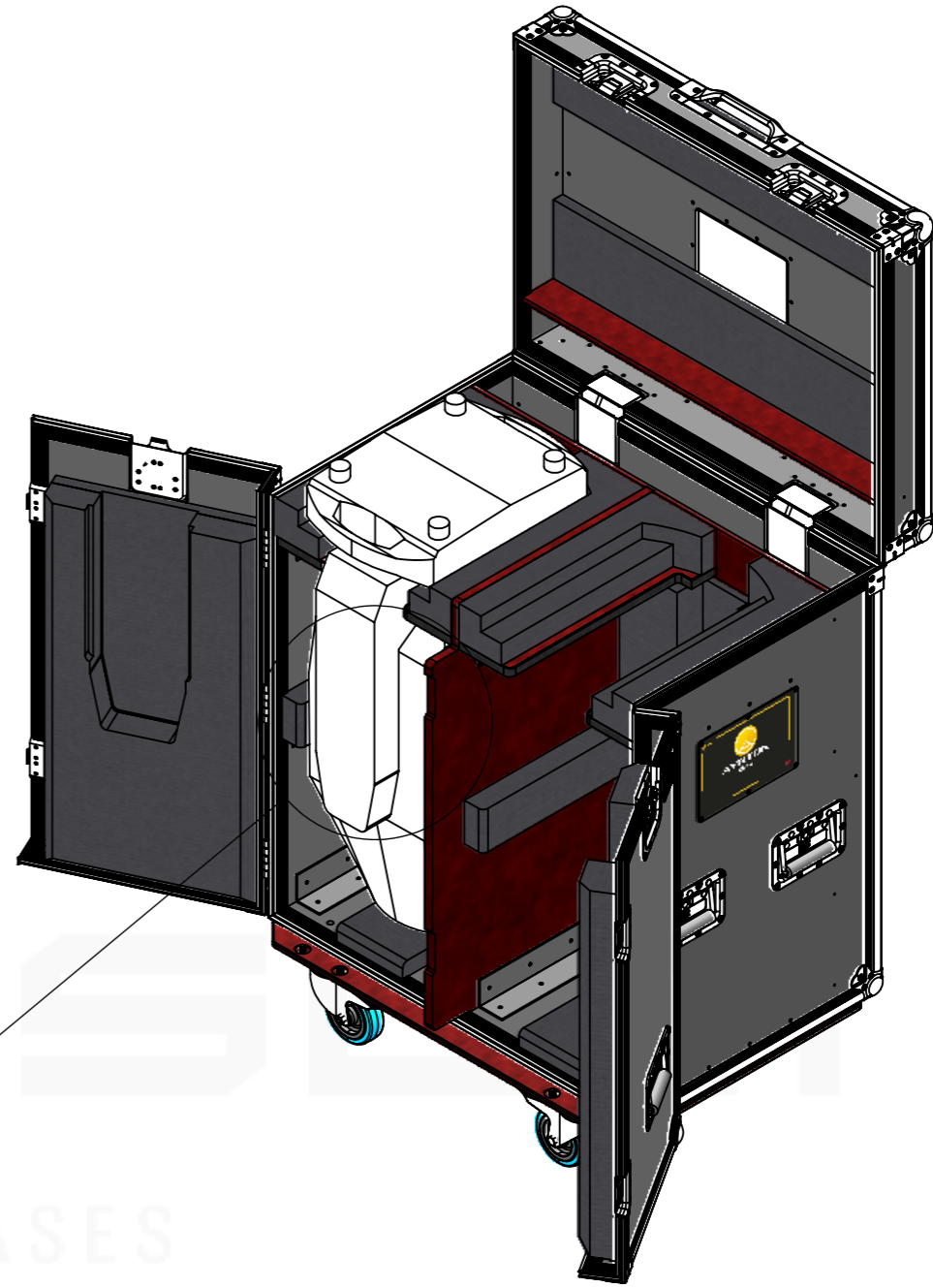
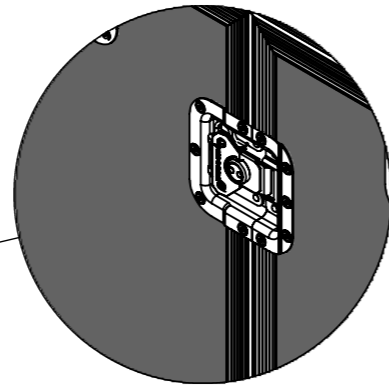
General External Dimensions		Usable Inner Dimensions	
W	Width	Wi	Inside Width
D	Depth	Di	Inside Depth
H	Height	Hi	Inside Height

Name	Date
CarlaSilva	10/02/2025
Reference	MH2.CHVS2XP.02
Scale	1:11
units in mm	general tolerance 0.8mm
DO NOT SCALE	
1st Angle projection	FC PRO, 2x Chauvet Maverick Silens 2X Profile



This drawing must not be copied or disclosed without consent of the owner

A3



Drawn by	Name	Date
CarlaSilva	CarlaSilva	10/02/2025
Reference	MH2.CHVS2XP.02	
Scale	units in mm	general tolerance
1:1	DO NOT SCALE	0.8mm
1st Angle projection	FC PRO, 2x Chauvet Maverick Silens 2X Profile	



A3 This drawing must not be copied or disclosed without consent of the owner